

RADIO'S LIVEST MAGAZINE



January  
25 Cents

# Radio-Craft

FOR THE  
SERVICE MAN - DEALER - RADIOTRICIAN

HUGO GERNSBACK Editor

The Radio  
**TRILLION-TONE ORGAN**

See Page 402



Midget Radio Sets  
Personal Tone Control  
Radio's Latest Devices

Service Men's Department  
Testing Equipment and  
Methods—Data Sheets

Television—Short Waves  
Sound Amplification  
Kinks and Experiments



WHOLESALE PRICES

# 1931 FEATURE RADIO VALUES LOWEST WHOLESALE PRICES

## MODERN UP-TO-THE MINUTE RADIO AT TREMENDOUS PRICE REDUCTIONS

Now, as never before, are you able to buy real radio values at astoundingly low prices. Never before in our many years of experience in radio merchandising, have we been able to offer such real values—on such quality radio merchandise as you will find presented in this catalog. No matter what your radio requirements may be, you will find them offered in this large 168 page catalog in large variety. Dealers—set builders, and radio enthusiasts of every nature should have a copy of this remarkable catalog.

### BUY NOW AND SAVE—PRICES ARE DOWN

If you have planned on buying a new radio set—or if you contemplate replacing your old receiver with one of the new screen grid types, send for this catalog immediately. It will show you the way to substantial savings. Prices are down to a new all time record. In the large assortment of receivers shown, you will find just what you have been looking for—sets, accessories, kits or parts at lowest prices.

### EVERYTHING IN RADIO

✓ CHECK  
THESE RADIO  
VALUES FROM  
OUR 168 PAGE  
FREE CATALOG

## MIDGET RADIO

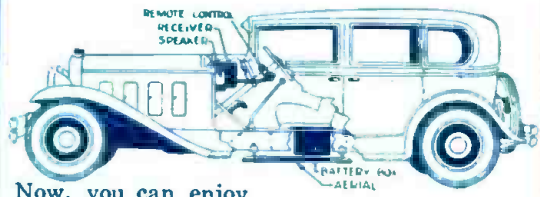


**New Midget Radio**  
A modern screen grid Midget Receiver with approved five tube circuit.

~~\$75.00 RETAIL~~  
**YOUR PRICE**  
**\$34.75**

Here you are offered one of the season's most popular types of receivers. Housed in a beautiful walnut midget cabinet, complete with five tube chassis and speaker, it is an outstanding value at the low price quoted.

## NEW AUTO RADIO



Now, you can enjoy your favorite radio programs as you drive. This new Roamer Auto radio blazes a new trail in its approach to perfection in circuit design.

~~\$100.00 RETAIL~~  
**YOUR PRICE**  
**\$49.45**

**Music as You Drive**  
No need to miss your favorite program while you drive. Sporting events, news flashes, symphony, dance or opera—all are available to you with this new Roamer Auto Radio. Concealed installation with remote control. R. C. A. licensed chassis. Universal brackets simplify installation in any car. Its many special features make it an outstanding value.

## THE NEW 8 TUBE SCREEN GRID SETS

Modern triple Screen Grid Receivers in beautiful consoles equipped with genuine Oxford Dynamic speakers at sensationally low prices. Values that will astound you.



~~\$110.00 RETAIL~~  
**YOUR PRICE**  
**\$48.25**

The receiver illustrated above is a representative value from our catalog. Beautiful walnut console, dynamic speaker with R. C. A. licensed Screen Grid eight tube chassis. A splendid value.

## 168 PAGE CATALOG FREE!

### WRITE FOR YOUR COPY TODAY

Write for your copy of this remarkable catalog today. See for yourself the unusual values that are offered. It lists over a thousand bargains, including such popular items as battery-operated receivers, super-heterodynes, remote control, electric time-switch receivers, phonograph-combinations, coin operated receivers, along with a remarkable variety of consoles, dynamic speakers, tubes, accessories, etc. No matter what your requirements may be in radio, you will find them listed in this catalog. Don't delay. Clip the coupon and send for your copy today.

### EVERYTHING NEW IN RADIO

Dealers, service men, set builders and radio enthusiasts everywhere should have a copy of this catalog. It is a veritable encyclopedia of everything that's new and worthwhile in radio. Send for your copy today.

WRITE TO-DAY

# ALLIED RADIO CORPORATION

711 W. Lake Street Dept. R-3 Chicago

### FREE CATALOG COUPON

Allied Radio Corporation,  
711 W. Lake St., Dept. R-3  
Chicago

Gentlemen, Please send me your 168-page FREE radio book of bargains. It is understood there is no obligation for sending this catalog to me, neither will I be bothered by personal calls.

Name \_\_\_\_\_  
Address \_\_\_\_\_





**We Could Have Placed 5000 More Qualified Men Last Year in Good Pay RADIO Positions**

**G**ET into the rich field of Radio via the training school that supplies big Radio employers with their new men! The Radio Training Association of America has a standing order from radio trade organizations, large manufacturers and dealers, for members qualified for full time work at splendid pay.

So great is this demand from Radio employers that positions offering good pay and real opportunity are going begging. If you want to cash in on Radio quick, earn \$3.00 an hour and up spare time, \$40 to \$100 a week full time, prepare for a \$10,000, \$15,000, \$25,000 a year Radio position, investigate the R. T. A. now.

**Special Attention to Radio Service Work**

Thousands of trained Radio Service Men are needed now to service the new all-electric sets. Pay is liberal, promotions rapid. The experience you receive fits you for the biggest jobs in Radio. The R. T. A. has arranged its course to enable you to cash in on this work within 30 days!

Would you like to work "behind the scenes" at Hollywood, or for a talking picture manufacturer? R. T. A. training qualifies you for this work. Television, too, is included in the training. When television begins to sweep over the country, R. T. A. men will be ready to cash in on the big pay jobs that will be created.

**Expert Supervision  
Lifelong Consultation Service**

As a member of the Association you will receive personal instruction from skilled Radio Engineers. Under their friendly guidance every phase of Radio will become an open book to you. And after you graduate the R. T. A. Advisory Board will give you personal advice on any problems which arise in your work. This Board is made up of big men in the industry who are helping constantly to push R. T. A. men to the top.

Because R. T. A. training is complete, up-to-date, practical, it has won the admiration of the Radio industry. That's why our members are in such demand—why you will find enrolling in R. T. A. the quickest, most profitable route to Radio.

**Mail Coupon for No-Cost Training Offer**

Memberships that need not—should not—cost you a cent are available right now. The minute it takes to fill out coupon at right for details can result in your doubling and trebling your income in a few months from now. If you are ambitious, really want to get somewhere in life, you owe it to yourself to investigate. Learn what the R. T. A. has done for thousands—and can do for you. Stop wishing and start *actually doing something* about earning more money. Fill out the coupon and mail today.

**Radio Training Association of America  
Dept. RCA-1 4513 Ravenswood Ave., Chicago, Ill.**

**Fill Out and Mail Today!**

**RADIO TRAINING ASSOCIATION OF AMERICA**  
Dept. RCA 1 4513 Ravenswood Ave., Chicago, Ill.

Gentlemen: Send me details of your No-Cost Training Offer and information on how to make real money in Radio quick.

Name \_\_\_\_\_

Address \_\_\_\_\_

City \_\_\_\_\_ State \_\_\_\_\_

H. GERNSBACK, President  
 S. GERNSBACK, Treasurer  
 J. M. HERZBERG, Vice-President  
 I. S. MANHEIMER, Secretary

R. D. WASHBURNE,  
 Technical Editor



HUGO GERNSBACK, Editor-in-Chief

JOHN F. RIDER,  
 Editor Service Dept.

C. P. MASON,  
 Associate Editor

VOLUME II  
 NUMBER 7

## Contents of This Issue

JANUARY  
 1931

	PAGE		PAGE
<b>EDITORIAL:</b>			
"Midget" Radio Sets.....By Hugo Gernsback	391	A Review of the Midget Receivers—Inside and Out.....	406
<b>SERVICE MEN'S DEPARTMENT:</b>			
The Time Element in Servicing.....By John F. Rider	392	Tone Control Design for Your Radio	
Leaves from Service Men's Notebooks		By C. H. W. Nason	409
By RADIO-CRAFT Readers	393	Tone Controls in Commercial Radio Sets	
Operating Notes for Service Men..By Bertram M. Freed	394	By R. D. Washburne	410
The Service Man's Open Forum.....	395	Suggestions for Dynamic Reproducer Installations	
<b>RADIO SERVICE DATA SHEETS:</b>			
No. 33—Victor Micro-Synchronous "R35," "R39,"		By H. G. Cisin	412
"RE-57" .....	396	The Progress of Television Technique.....	414
No. 34—Silver "36A" Super Chassis and "32A"		<b>RADIO CONSTRUCTION AND THEORY:</b>	
Power Pack .....	397	Making a Microphone for Home Recording	
"If I Wanted to Make Money in Radio, I'd—"		By Michael Blan	405
By J. B. Straughn	398	Watching the Wheels Go Round..... By Leo Brans	405
"Breaking In" to the Service Business		RADIO-CRAFT Kinks .....	416
By Ralph Mellon	399	An A.C. Short-Wave Receiver with the "Automatic	
<b>NEW DEVELOPMENTS:</b>			
New Radio Applications—Great and Small.....	400	Tuner" .....	By H. E. Hurley, W6CKS
A Musical Instrument of a Trillion Tones		By Edgar Messing	418
By Arnold Lesti	402	Constructing an All-Wave Superheterodyne	
New Radio Devices for Shop and Home.....	404	By R. William Tanner, W8AD	419
		RADIO-CRAFT'S Information Bureau .....	420
		List of Short-Wave Stations of the World.....	421
		Short-Wave Notes .....	445

## In Forthcoming Issues

**TELEVISION AND SHORT-WAVE RECEIVERS FROM THE SERVICE STANDPOINT**, by John F. Rider. From the experimenters who made their own apparatus, and learned its peculiarities from the baseboard up, we are coming to the point where the public wants to look and listen in. It will add another problem to those which the Service Man must meet; and this article will deal with the subject in a practical manner.

**A LONG-WAVE CONVERTER**, by Clyde J. Fitch. Short-wave adapters have introduced a new world to set owners. At the same time, it must be remembered, most of the world's really high-powered stations are above 600 meters. A device which will render them available to the enterprising listener, at little expense, will be described.

**A HOME-MADE SLIDE-WIRE BRIDGE**, by A. W. Bonser. This device, which applies familiar devices to the measurement of resistance, is very simple; and the labor of calibration and computation has been very much shortened by the provision of a proportional scale. Such equipment, with a few standard resistors—which may be calibrated from one known value—should be on every radio man's workbench.

**CHARACTERISTICS OF TUBES**. A graphic study of tube properties—especially that important one of mutual conductance—showing different tube types. In addition to this, much practical information on the constants required in tube operation will appear. And many other practical articles for the Service Man, the Set Builder and the Experimenter.

RADIO-CRAFT is published monthly, on the fifth of the month preceding that of date; its subscription price is \$2.50 per year. (In Canada and foreign countries, \$3.00 a year to cover additional postage.) Entered at the postoffice at Mt. Morris, Ill., as second-class matter under the act of March 3, 1879. Trademarks and copyrights by permission of Gernsback Publications, Inc., 98 Park Place, New York City.

Text and illustrations of this magazine are copyright and must not be reproduced without permission of the copyright owner. We are also agents for WONDER STORIES, AMAZING DETECTIVE TALES and WONDER STORIES QUARTERLY. Subscriptions to these magazines may be taken in combination with RADIO-CRAFT at reduced club rates. Write for information.

Copyright 1930, GERNSBACK PUBLICATIONS, INC.

Published by  
**TECHNI-CRAFT PUBLISHING CORPORATION**

Publication Office: 404 No. Wesley Ave., Mount Morris, Illinois

Editorial and Advertising Offices  
 96-98 Park Place, New York City

Western Advertising Office  
 737 North Michigan Avenue, Chicago, Ill.

L. F. McCLURE, Western Advertising Representative

London Agent: Hachette & Co.,  
 16-17 King William St., Charing Cross, W.C. 2

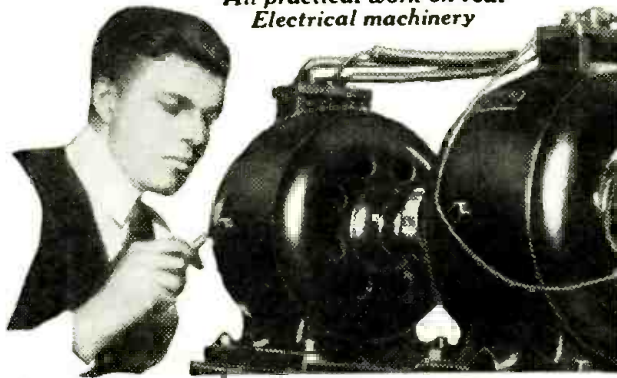
Paris Agent: Hachette & Co.,  
 111 Rue Reaumur

Australian Agent: McGill's Agency,  
 179 Elizabeth St., Melbourne



# Get Into One Of These BIG PAY FIELDS

All practical work on real  
Electrical machinery



## Amazingly Easy Way to Get Into ELECTRICITY

Don't spend your life waiting for \$5 raises in a dull, hopeless job! Let me show you how to make up to \$60, \$70 and even \$200 a week, in Electricity—NOT by CORRESPONDENCE, but by an amazing way to teach that makes you a practical Expert in 90 days!

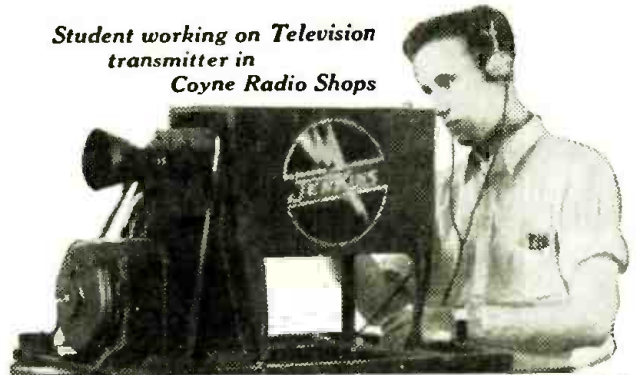
### Learn Without Books in 90 Days

No Books! No Lessons! You learn by doing actual electrical work right here in the Coyne Shops. You are trained on huge motors, generators, switchboards, transmitting stations, power plants, auto and airplane engines, etc. You don't need advanced education or previous experience. You qualify for real electrical work in 90 days!

### Earn While You Learn

Don't worry about a job! You get FREE life-time Employment Service. And don't let lack of money stop you. If you need part-time work to help pay living expenses, I'll help you get it. Coyne is 31 years old. Coyne training is tested. You can find out everything FREE. Just mail coupon below and I'll send you my BIG FREE ELECTRICAL BOOK, telling all about jobs—salaries, etc. This does not obligate you. Just send the coupon below!

Student working on Television  
transmitter in  
Coyne Radio Shops



## Learn RADIO TELEVISION TALKING PICTURES

Every branch of Radio is calling for trained men! 5,000 Service Men needed at once. Big call for Wireless Operators, both at Sea and in the Air. Many jobs open in Broadcasting Stations. Talking Picture and Sound Experts in great demand. And now Television is on the way! Soon there'll be a demand for thousands of Trained Men in this one branch alone.

Say "good-bye" to \$25 and \$35 a week—get into Radio, where thousands of jobs are open, paying \$60 a week and up.

### NOT BY CORRESPONDENCE

By Actual Work — in 8 Weeks

Come to Coyne and learn Radio in 8 weeks! NOT BY BOOKS OR CORRESPONDENCE, but by actual Radio work on actual Radio equipment—on scores of Radio receivers, huge Broadcasting equipment, the very latest Television transmitters, Code Practice apparatus, Talking Picture and Sound equipment, etc. No experience needed. You learn all branches of Radio in 8 weeks.

### Free Employment Service

After you graduate, I'll help you get the Radio Job you want—and if you need part-time work while at school, I'll help you get that, too. Coyne has been training men since 1899. Let Coyne train you for a Big Pay Radio Job! Mail coupon below for a copy of my BIG FREE RADIO BOOK, telling all about Radio, Television, Talking Pictures, Wireless, etc. This costs you nothing. Just mail coupon below.

**MAIL THIS COUPON FOR BIG  
FREE ELECTRICAL BOOK..**

H. C. LEWIS, PRESIDENT  
COYNE ELECTRICAL SCHOOL, Dept. 11-81  
500 South Paulina Street, Chicago, Illinois  
Gentlemen: Please send me your big Free Electrical Book with 151 illustrations. This does not obligate me.

Name .....

Address .....

City..... State.....

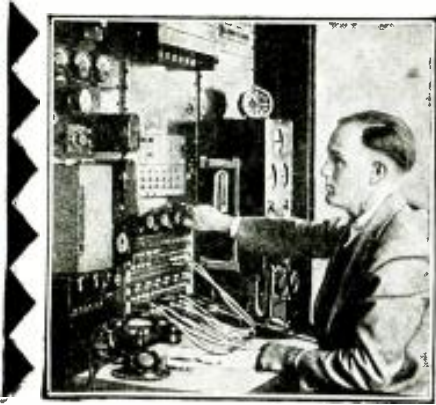
**MAIL THIS COUPON FOR BIG  
FREE RADIO AND TELEVISION BOOK**

H. C. LEWIS, PRESIDENT  
RADIO DIVISION, COYNE ELECTRICAL SCHOOL  
500 S. Paulina St., Dept. 11-8H, Chicago, Ill.  
Gentlemen: Send me your Big Free Radio Book and all details of your Special Introductory Offer. This does not obligate me in any way.

Name .....

Address .....

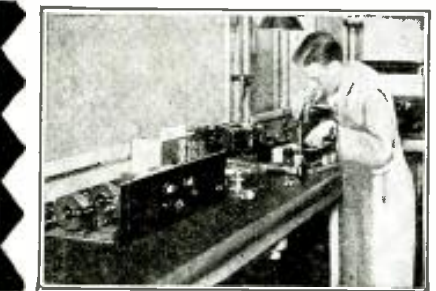
City..... State.....



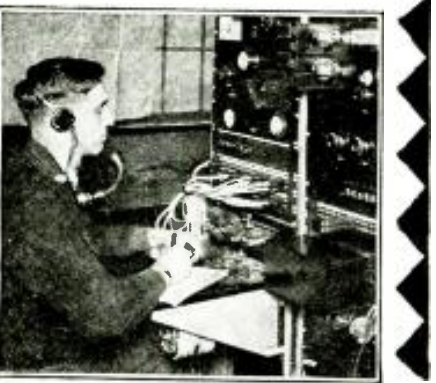
Broadcasting Stations offer fascinating jobs, paying from \$1,800 to \$3,000 a year.



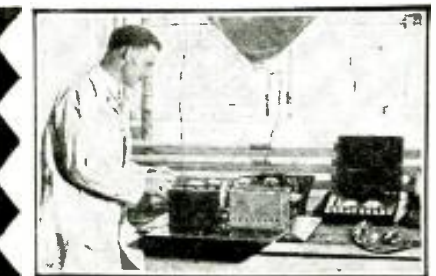
Operating on board ship gives you world-wide travel without expense and a salary of \$85 to \$200 a month besides.



Spare time set servicing is paying N. R. I. men \$200 to \$1,000 a year for their spare time. Earnings begin almost at once after enrolling.



Commercial Land Stations are being opened very rapidly in our leading cities. Trans-Oceanic telephony offers many attractive jobs.



Radio factories employ thousands. Salaries for well trained men range from \$1,800 to \$5,000 a year.

# You're Wanted

## Take your pick of these fine Big Pay Radio Jobs

You have seen how the men and young men who got into the automobile, motion picture and other industries when they were started had the first chance at the key jobs—are now the \$5,000, \$10,000 and \$15,000 a year men. Radio offers you the same chance that made men rich in those businesses. Its growth has already made men independent and will make many more wealthy in the future. Its amazing growth can put you ahead too. Don't pass up this opportunity for a good job and future financial independence.

### Hundreds of \$50 to \$100 a week Jobs Opening Every Year

Radio needs more trained men badly. Why slave your life away for \$25 to \$40 a week in a no-future job when you can get ready in a short time for Radio where the good jobs pay \$50, \$60, \$75 and \$100 a week? And many of these jobs can quickly lead to \$150 to \$200 a week. Hundreds of fine jobs are opening every year for men with the right training—the kind of training I'll give you.

### I Am Doubling and Tripling Salaries

Where you find big growth you always find many big opportunities. I am doubling and tripling the salaries of many men every year. After training with me only a short time they are able to make \$1,000 to \$3,000 a year more than they were getting before. Figure out for

yourself what an increase like this would mean to you—the many things that mean so much in happiness and comfort that you could buy with an additional \$1,000 to \$3,000 a year.

### Many Make \$10 to \$25 a week Extra Almost at Once

The day you start I'll show you how to do ten jobs common in most every neighborhood that you can do in your spare time. I'll show you how to repair and service all makes of sets and do many other jobs all through my course. I'll give you the plans and ideas that are making \$200 to \$1,000 for my students while they are taking my course. G. W. Page, 107 Raleigh Apts., Nashville, Tenn., writes: "I made \$9.35 in my spare time while taking your course."

### You Have Many Jobs to Choose From

Broadcasting stations use engineers, operators, station managers. Radio manufacturers continually need testers, inspectors, foremen, engineers, service men, buyers and managers. Shipping companies use hundreds of operators and give them world-wide travel with practically no expense and a good salary besides. There are hundreds of opportunities for you to have a spare time or full time Radio business of your own. I'll show you how to start one with practically no capital. My book tells you of other opportunities. Be sure to get it at once.



#### \$400 a Month

"I spent fifteen years as traveling salesman and was making good money but could see the opportunities in Radio. Believe me I am not sorry, for I have made more money than ever before. I have made more than \$400 each month and it really was your course that brought me to this. I can't say too much for your school."

J. G. Dahlstead,  
1484 South 15th St.,  
Salt Lake City, Utah.



#### \$800 in Spare Time

"Money could not pay for what I got out of your course. I did not know a single thing about Radio before I enrolled, but I have made \$800 in my spare time although my work keeps me away from home from 6.00 A. M. to 7.00 P. M. Every word I ever read about your course I have found true."

Milton I. Leiby, Jr.,  
Topton, Pa.



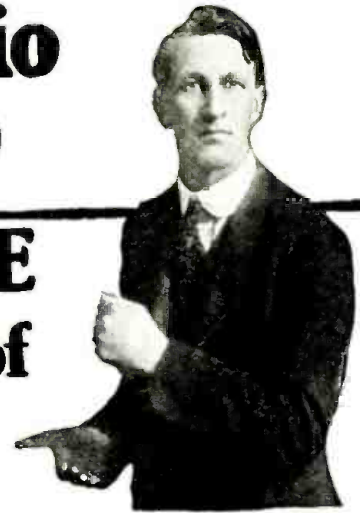
#### Seldom Under \$100 a week

"My earnings in Radio are many times greater than I ever expected them to be. In November I made \$577, December \$645, January \$465. My earnings seldom fall under \$100 a week. I'll say the N. R. I. course is thorough and complete. You give a man more for his money than anybody else."

E. E. Winborne,  
1267 W. 48th St., Norfolk, Va.



# for a **Big Pay** Radio Job



## I will train you **AT HOME** free book gives facts and proof

### I Will Train You at Home in Your Spare Time

Hold your job. There is no need for you to leave home. I will train you quickly and inexpensively during your spare time. You don't have to be a high school graduate. My course is written in a clear, interesting style that most anyone can grasp. I'll give you practical experience under my 50-50 method of training—one-half from lesson books and one-half from practical experiments. When you graduate you won't have to take any kind of a job to get experience—you will be trained and experienced ready to take your place beside men who have been in the field for years.

### Television and Talking Movies Included

My course not only gives you a thorough training in Radio—all you need to know to get and hold a good job—but also your choice without extra charge, of any one of these special courses: Television, Aircraft Radio, Broadcasting, Commercial and Ship Radio Stations, Sound Pictures and Public Address Systems, and advanced Radio Servicing and Merchandising. You won't be a "one job" man when you finish my course. You'll know how to handle a job in any one of Radio's 20 different branches of opportunity.

### Lifetime Employment Service to All Graduates

When you finish my course you won't be turned loose to shift for yourself.



### Salary Three Times Larger

"Before I completed your course I went to work for a Radio dealer. Now I am assistant Service Manager of the Sparks-Withington Company. My salary is three times what it was before taking your course. I could not have obtained this position without it. I owe my success to N. R. I. training."

H. A. Wilmoth,  
Sparks-Withington Co.,  
Jackson, Mich.

Then is when I will step in and help you find a job through my Employment Department. This Employment Service is free of extra charge both to you and the employer. My Employment Department is getting three times as many calls for graduates this year as last year.

### Your Money Back if Not Satisfied

You do not risk a penny when you enroll with me. I will give you an agreement in writing, legal and binding upon the institute, to refund every penny of your money upon completing my course if you are not satisfied with my Lessons and Instruction Service. The resources of the N. R. I., Pioneer and World's Largest Home Study Radio training organization, stand back of this agreement.

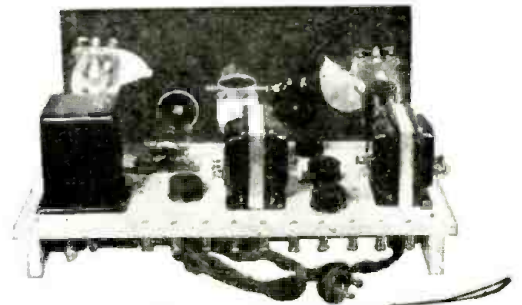
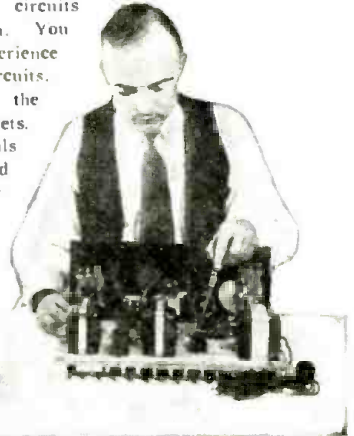
### Find Out What Radio Offers You—Get My Book at Once

One copy of my valuable book "Rich Rewards in Radio" is free to anyone interested in making more money. It tells you where the good jobs are, what they pay, how you can quickly and easily fit yourself to get one. The coupon below will bring you a copy. Send it at once. Your request does not obligate you in any way. Act NOW.

J. E. SMITH, President  
Dept. 1AX  
National Radio Institute  
Washington, D. C.

# I give You 8 Big Outfits of Radio parts for a home Experimental Laboratory

You can build over 100 circuits with the outfits I give you. You learn from actual experience about A.C. Screen Grid Circuits, push-pull amplification and the other features in modern sets. You work out with your hands the principles, diagrams and circuits you learn from my lesson books. You get as much practical experience under this unequalled method of home training, in a few months, as the average fellow gets in two to four years in the field.



## Clip and mail NOW for FREE INFORMATION

J. E. SMITH, President  
National Radio Institute, Dept. 1AX  
16th & U Streets, N. W., Washington, D. C.

Dear Mr. Smith:—Send me "Rich Rewards in Radio." Tell me more about Radio's opportunities for good jobs and quick promotion; also about your practical method of Home training. I understand this request does not obligate me and that no agent will call on me.

Name .....

Address .....

City..... State.....



THE BIGGEST RADIO VALUE IN AMERICA TODAY!

Official RADIO SERVICE MANUAL

and Complete Directory of all Commercial Wiring Diagrams

IN LOOSELEAF, FLEXIBLE, LEATHERETTE BINDER

NEVER in the history of radio has there ever been published a manual, so complete as this new OFFICIAL RADIO SERVICE MANUAL. It is a veritable encyclopedia of service information — worth several times its regular price. It is invaluable not only to the Service Man, but to everyone interested in radio. For this Manual there has been collected available wiring diagrams and data of nearly every commercial set, of which

HUGO GERNSBACK, Editor
CLYDE FITCH, Managing Editor

there is any record, manufactured since 1927, and many earlier ones.

Additional service data for new receivers, as they appear on the market, will be supplied at a trifling cost so that the Manual might be kept up-to-date at all times. But that is not all.

Service Information

The OFFICIAL RADIO SERVICE MANUAL contains a comprehensive instruction course for the Service Man, giving practical information from every angle on how to service the set. Here are only a small number of the articles mentioned:

- Antennas Amplifiers Automotive Radio Condensers Detectors
Eliminators Meters Power Supply Systems Tubes
Radio-Phonograph Equipment Resistors Short Wave Sets Speakers

You simply cannot realize what a tremendous work this is until you have held a copy in your hands and have gone through the 352 pages.

What They Say

NOTHING CAN COMPARE WITH IT

I have received my copy of the OFFICIAL RADIO SERVICE MANUAL. I expected it would be good for I think you know as much as any of them what the average radio man wants, but I'll wager not very many expected to receive a book comparable to this one. I think you deserve a lot of credit for being the first to put out a real service manual that the amateur or professional can make good everyday use of. It's a good practical book and one that every service man will be proud of.—E. D. HANA, Haslett, Mich.

BEST BOOK IN THE FIELD

I received your book OFFICIAL RADIO SERVICE MANUAL and I find it is as yet the best book I have found in this field of radio. You are well justified in that this is the peer of service manuals. I wish you all the success possible in the publishing of future books on radio which are sure of great necessity.—WILLIAM R. BROWN, Brown Radio Service, 1010 Buckingham Street, Toledo, Ohio.

WORTH A GREAT DEAL MORE

Received your copy of OFFICIAL RADIO SERVICE MANUAL and am greatly pleased with same. It is worth a great deal more than it costs.—HAROLD AUGITER, 41 Rutland Ave., Arlington, N. J.

"SHE IS A BIRD"

Just to let you know we received my MANUAL this A.M. and—OH BOY! She is sure a BIRD! You sure did strut your stuff, AND HOW!—V. H. HERNDON, Herndon's Radio Shop, Odon, Indiana.

EXTREMELY PLEASED

I acknowledge receipt of the OFFICIAL RADIO SERVICE MANUAL, and I am extremely pleased with it.—EDW. JOHN SMITH, 337 E. 24th St., Erie, Penna.

A VERITABLE GOLD MINE

I received the OFFICIAL RADIO SERVICE MANUAL. I am well pleased. It is a veritable gold mine for the Service Man.—EUGENE BINFORD, Arkansas City, Kansas.

MAGNIFIQUE

Received my copy of the OFFICIAL RADIO SERVICE MANUAL this A.M. "She is what you call him: Magnifique! Excelsior!" A timely aid for the troubled sets. Thanks.—E. BOICE, 1118 W. Dauphin, Philadelphia, Pa.



ONLY \$3.50

A COPY

Over 1,000 Illustrations, Diagrams, etc. 352 Pages — 9 by 12 inches — Weight 3 lbs.

GERNSBACK PUBLICATIONS, Inc. 96-98 Park Place, New York, N. Y. RC-131

As per your special offer, I enclose herewith \$3.50 for which you are to send me, postpaid, one copy of the OFFICIAL RADIO SERVICE MANUAL.

Name Address City State

MAIL COUPON TODAY!

Prepared Especially for the Radio Service Man!





**“Takes the Resistance Out of Radio”**

Editorial Offices, 96-98 Park Place, New York, N. Y.

## “Midget” Radio Sets

By Hugo Gernsback

**A**NOTHER minor revolution in the radio industry has occurred, during the past few months, on the appearance of the so-called “midget” or mantel radio sets. We started out with rather small sets during the years 1923 and 1924, when the table model was popular, and before the console had arrived. We are now going back to old times; but going the old style set one better by making one still smaller. Curiously enough, the first table model was of the five-tube variety, while the present mantel sets are mostly of the five-tube variety as well. History, it seems, is repeating itself.

Many people, in the trade and elsewhere, are of the opinion that the popularity of the mantel set is due to present economic conditions; because it seems that, at the present time, the mantel sets are far outselling the more expensive models. One manufacturer alone, within a short season, has sold over 150,000 of these mantel sets; and there are a number of others who are doing as well and even better. This seems to prove the popularity of the midget type. But, so far the economic point is concerned, I do not think that we should stress this too much. Either a family wishes to get a radio set or it doesn't. If they do, the great majority buy on the installment plan, anyway; and, inasmuch as the payments are reasonable, the chances are that the temptation to buy the bigger and more elaborate set, rather than the smaller one, will prevail—always provided that the family wishes a piece of furniture. And herein lies the whole crux of the question.

Modern living conditions are such that space in the average apartment is at a premium. Houses and apartments are becoming smaller all the time; and apartments, particularly, tend to shrink in not only the number of rooms, but the size of the rooms as well. Families who used to live in eight and ten-room apartments now live in four or five rooms; and so on, in proportion. Consequently, room is at a premium and this fact, I believe, is a direct cause of the success of mantel sets, rather than the price.

Furthermore, we seem to be heading towards the average of two and three radio sets per family. There was a time when any family could get along with a single car; but statistics show that today many own two or more cars. The case of radio is similar; there are so many programs in the air, and of such wide variety, that it is impossible to satisfy all tastes with a single set. The old people wish to listen to serious music, lectures, etc., while the younger element prefers lively dance music and what-not; and, as a rule, there is a clash in the average family when the radio is turned on. So,

here the mantel set steps in and solves the problem. It is no longer a novelty to find two radio sets in an apartment; I have seen as many as four in a home, although this may be an extreme case. The well-to-do family will wish to have a “furniture-type” receiver in the living room; whereas Junior or the daughter will have sets for themselves in their respective rooms and—with domestic help what it is today—it has been found that a midget set in the maid's or the cook's room will do a lot towards keeping them satisfied.

Make no mistake, the midget sets are here to stay; and the chances are that, during the next few years, they will grow in popularity. I venture to predict that we will have excellent sets even smaller than those which are in such vogue at present. Practically all of the present mantel sets are equipped with dynamic speakers, and have as much power as the large sets. Practically all of the small sets have entirely too much power for city use; and it is my opinion that still smaller sets, using magnetic speakers and fewer tubes, and selling for considerably less than the present mantel sets, will come into use. Such “Tom Thumb” “sub-midget” sets will be desirable; particularly for those owners who do not wish to be annoyed with too much power and who desire a type of receiver that can be used in a small room. It would seem that such sets should be particularly attractive for hotel installations, hospitals and other institutions; since the user would be able to tune in any program he wants, rather than take a choice of one or two—which is now the case with many hotel and hospital installations.

What midget set users require most, today, is a built-in antenna connection that will do away with an outside aerial. One or two such models have already appeared, and it is to be hoped that soon they will be universal. Such sets will become still more popular at the moment when all you are required to do is to plug into the light socket, which will supply also the aerial and ground connections automatically. (It is true that such connections are usually undesirable except in congested centers, where there are many broadcast stations; an outside aerial is, of course, preferable.)

From the service angle, the midget sets are almost ideal; for it is much easier to service them than sets of the large furniture type. The components of the midgets are far more accessible to the Service Man and, consequently, they can be serviced much more quickly and efficiently than other sets.

In my opinion, the chances are that these sets will ultimately outsell all others and that, numerically, they will be far in the lead within the next few years.

# Service Men's Department

*This department is about the Service Man, for the Service Man, and largely by the Service Man. Its contributors are practical men, and we invite every Service Man in the country to tell about his own experiences of all kinds.*

Edited by JOHN F. RIDER

## THE TIME ELEMENT IN SERVICING

By John F. Rider

SINCE the publication of the much-discussed article entitled "The Flying Service Man" in the November issue of RADIO-CRAFT, the writer has been carrying on an experiment to determine just how much time is necessary to satisfactorily repair a defective receiver. Some observations have been made but, unfortunately, the nature of the experiment is such that a final conclusion is impossible.

At the same time, it has been shown that just one type of trouble may be remedied within 15 minutes. This is the defective tube, which is evident by a visual inspection; in other words, that in which the filament or the heater is damaged.

Close observation and timing, of several experienced Service Men, shows that inspection of the modern radio receiver by means of a conventional set analyzer consumes at least 2 minutes per tube; and this means rapid operation with quick decision as to what is good or bad.

Any defect within a receiver, particularly in the underside of the chassis, requires a period of time from at least twenty minutes to an hour. The most advantageous conditions, such as repairing by a man who has specialized upon the model in question and who is familiar with the most vulnerable parts of the receiver, are not conducive to repair within 15 minutes.

After all is said and done, the item of primary importance is the correction of the defect and not the breaking of speed records. One of the major reasons for repeat calls is previous hurried repairing of a defective unit, and acceptance of the subsequent performance of the receiver as normal.

In this connection we can cite a very excellent example. A man was called in to examine a power amplifier afflicted with fitful performance. A checkup showed that one of the voltage divider's terminal connections was very poor, and open-circuited every so often.

The repair was completed and the voltages were normal once more. However, the amplifier was noisy and, furthermore, each time the unit was placed into operation a few arcs were noted, within the rectifier tubes, which disappeared after a few moments. The Service Man noted this condition, yet left with the statement that it was "quite alright." Within thirty minutes of his departure, the rectifier tubes departed this life with a beautiful electrical display from both tubes.

Subsequent inspection showed that the input filter condenser had ruptured, and the consequent load ruined the tubes. Now, the crackling and noise, accompanied by



**MR. JOHN F. RIDER**, who passes upon all the material submitted for publication here, in the Service Men's Department, is a radio engineer of the first rank who has devoted much energy to the popularization of technical knowledge. None excel him in the art of making difficulties clear; he is a practical instructor, and the author of books known by all Service Men as useful guides. Letters, stories, requests and suggestions for this department may be addressed to him in care of RADIO-CRAFT.

the momentary arcing subsequent to the repair, proved that something was wrong and that a further check was in order. That Service Man should have realized that the location of the open in the voltage divider was such as to open the complete load and, therefore, apply fairly high voltages to the input filter condenser. We should have realized that such a condition is apt to damage that condenser. The initial arcing was evidence of such a defect. Unfortunately, the repair was not permanent and the two tubes must be replaced.

Here is an illustration of a case, which proves the point broached by the writer some time ago. Remedying a defect is not in itself sufficient. With the complex structure of a modern radio receiving or amplifying system, an investigation of the complete system is necessary when the original defect was such that it was apt to cause injury to some other part. This is particularly true when the test, subsequent to the repair, shows a condition unusual to normal operation.

It is indeed unfortunate that some defects are not evident by visual inspection. It is also unfortunate that it is quite difficult to differentiate between fault which is productive of noise, and electrical disturbance originating from an external source. Because of these limitations, it becomes impera-

tive to make a thorough test if the slightest irregularity is noted after the original defect is remedied.

Entirely too much stress is placed upon time, and too little stress upon service. If it is necessary to charge for the time spent, do so and make that fact known before the service work is started. All of us appreciate the need for business and realize that customers do not part with their money very readily. Yet, in the long run, in work of this nature, repeat calls are more injurious than a normal charge necessitated by the work at hand.

At the same time, one should not imagine that every defect will cause injury to some other unit in that receiver or amplifier. Time and again, the repaired system will function in normal manner; but the Service Man should prepare for the emergency and stipulate the possibility of more than one defect, and the consequent increase in charges.

In this connection we cannot help but wonder if the radio service business is unlike all other service operations. From the technical angle, the efficient Service Man should be in a position to repair any type of radio receiver. From the monetary angle, specialization appears much more profitable. We realize that such specialization is impossible in certain parts of the country, where Service Men are few and far between, and types of radio receivers are many. But, in large cities, where large numbers of receivers of similar manufacture are available, the specialist finds things more to his advantage.

There can be no denial of the fact that knowledge pertaining to the wiring of systems, the locations of the units which are known to fail most frequently, and sundry other items of this nature, tends to expedite service without undue hurry. Supplementary to this is the realization that one man cannot be familiar with the location of the vulnerable units in all receivers. He cannot be familiar with the possible locations of the various parts so that he can test continuity without much delay. As a matter of fact, a great deal of time is lost determining the functions of the tubes in the respective sockets, when placing the set-analyzer plugs into the tube sockets.

As to specialization, we do not mean continual attendance upon just one make of receiver. With the trend towards a single chassis for a group of models, it is possible to specialize in at least half a dozen manufacturers' receivers.

As to the time lost, prior to the actual service work, we wonder if it is not more sensible to remove the chassis right at the

(Continued on page 427)



# Leaves from Service Men's Note Books

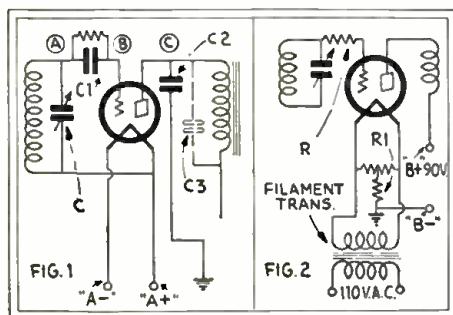
The "Meat" of what our professionals have learned by their own practical experiences of many years

By RADIO-CRAFT READERS

## TESTS WITH SIMPLE EQUIPMENT

By Duncan Salmond

THE first thought of the average radio towner is to call the Service Man before he stops to consider whether the noise (or lack of noise) is the fault of the receiver. However, when the Service Man arrives, he will find as a rule, if any trouble is evident, that it is in the accessories; these, therefore, are first to be checked. If, however, the trouble is in the chassis, it is best to take everything to the shop for repairs;



A few quick continuity tests which require only an inexpensive voltmeter; at the right, a point to watch when testing a '26 tube circuit.

for the customer, whether he will admit it or not, dislikes to see the set pulled apart, and usually feels that it never sounds the same again.

Suppose an ordinary six-tube battery set is placed on the shop bench. Hook it up; if a by-pass condenser is shorted, this will be shown at once by the spark as soon as the connection is made. Take an ordinary voltmeter, with a scale of at least a hundred volts; it is not necessary that it be a precision instrument. Put the negative lead of the voltmeter on the "A—" binding post, and touch each plate contact in turn. The detector and two audio readings should be partial (in the latter case because of the drop through the transformer primary) while the readings on the R.F. plates should be full; no reading at all indicates an open plate circuit, or that the by-pass condenser (C2, Fig. 1) is shorted to ground. If, however, this condenser only by-passes the primary winding (C3), we have instead a full reading when it is shorted.

To check grid continuities, a low-range meter is best. It will give a reading on the coil side of the grid condenser (C1 at A, Fig. 1) but none on the socket side because the grid leak has too high a resistance to permit a reading on the meter. If these tests show no lack of continuity, test the audio assembly by touching the grid of the detector tube; a buzz shows that the audio assembly is O. K.

Apply the aerial to the plate of the last R.F. tube, with a local or your oscillator tuned in. If nothing is heard, the plates of the detector tuning condenser are shorted.

Test backwards to the aerial. This completes the test: it is assumed that good tubes have been used and that they all light, showing switch and rheostats to be good.

With the all-electric receiver, we test from the ground. However, correct voltage may be read from the plate of a tube to ground when the plate circuit is open. (See Fig. 2.) That is, with a '26 tube, for instance, if the grid-biasing resistor is open, there is no reading between ground and filament; but there is a return to "B—" from the plate through the ground. Shorting the grid to the filament with a piece of wire will give a loud hum and distorted signals, if the trouble is due to an open resistor. (Do not confuse the biasing resistor with the grid-suppressing resistor, which is used in the R.F. stages of many receivers.) The "B" supply is conveniently tested for opens or shorts where the power cable is connected to the chassis.

If a short-circuited tube is found, look for an open primary or grid suppressor resistor; and if one of these is burnt, look for a shorted tube. A tube may test O. K., and yet have weak elements which are shorted readily by a jar or shock. This should be borne in mind when testing. If the first tube is shorted, examine the antenna coupling choke. Opening this may cause oscillation, or hum in electric sets.

**WHAT** have you found a handy tool in servicing; what points do you find it best to inspect first on a certain receiver model? Other Service Men will profit by your experiences, as you do by theirs; the simplest things are often the most valuable. Tell your story in a few lines to the Service Men's department.

## ATWATER KENT DYNAMICS

By Ray Lampson

PERHAPS a lot of expert Service Men have encountered the condition described; but this may help some RADIO-CRAFT readers. First, determine that the trouble is in the speaker; then make a continuity test of the voice coil with a 0-10-volt meter and a 4½-volt battery. The reading should be full; if not, there is most probably a break in the connection between the speaker's binding post and the winding.

The field coil should show a reading of 2 to 2½ volts; a full reading indicates that the winding is shorted to the speaker frame internally.

Take the speaker apart, by unsoldering the connections and taking out the center screw. The whole diaphragm must be taken out; it is then easy to disassemble the speaker and wind tape around the bare spots on the coil.

Then assemble the speaker, but do not tighten the screws that hold the diaphragm until you have centered the latter. Take three brass or tin strips, about ¼-inch wide and 2½ inches long—they must be thin—and place these along the edge of the spider at equal intervals. Push them down between the magnet core and field coil housing; then tighten the center screw, and the screws that hold the rim of the speaker.

## A VACUUM-TUBE VOLTMETER FOR SERVICING

By Michael Yanosko

OF all the vacuum-tube voltmeters the writer has seen, none were portable. Most of them were of the laboratory type, requiring high "B" and "C" voltages and consequently blocks of batteries; and most of them were fragile and delicate, and not in the least suitable for work in the field.

With this in mind, a series of experiments was started; to make, if possible, a compact, portable, reasonably accurate and substantial meter. Neither "A," "B" nor large "C" batteries were allowable. The final result is expressed in the diagram (Fig. 3).

The parts required are low in cost; except for the meter, they may be found in almost every Service Man's junk box. In addition to the 0-1-scale milliammeter, there is a '12A vacuum tube and a sub-panel socket; a 25-watt lamp and socket; two fixed condensers of 2- and 1-mf. capacity; a 400-ohm potentiometer, shown as the center-tapped resistor; a grid leak with its mounting; and, if desired, multiplier resistors to be used with a switch, as shown by the dotted lines. The battery is of the 3-volt flashlight type; there are no others to buy.

The condensers serve to keep the frequency error of the voltmeter very small; that is, if the meter is calibrated to zero at 60 cycles, and the frequency is then increased while the other factors are kept

(Continued on page 427)

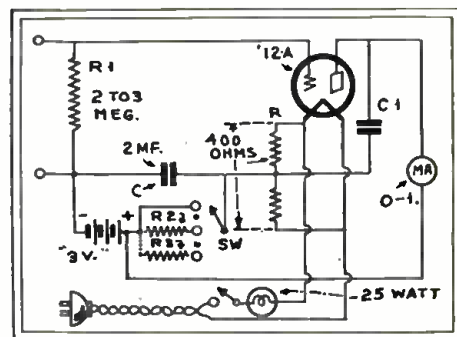


Fig. 3

The simplicity of this really portable unit may be seen; it is a useful companion of the set analyzer. The shunts R2, R3, etc., must be calibrated for the milliammeter used.

# Operating Notes for Service Men

*As a rule a commercial set, however well built, must have some point weaker than the rest at which trouble may be first experienced. Here are a few suggestions on where to look for trouble in certain commercial models.*

By BERTRAM M. FREED

**M**ANY unnecessary calls on the Bosch "48" ("16," "17") series can be avoided if the Service Man, at the time of installation, carefully checks the variometer shield can (Fig. 1) to make sure that it is securely held, and well grounded. Failure to observe this may result in undesired oscillation and noise.

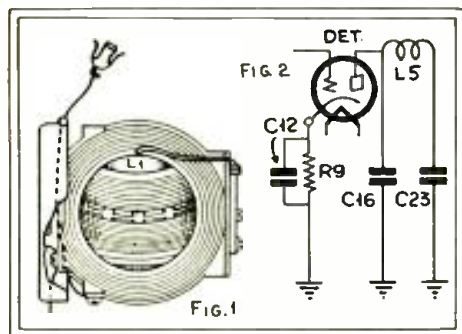
It takes but little additional time to be certain that the wiping ground contact on the variometer is properly bent, and makes a positive contact with the shaft. When removing the shield, care must be taken to avoid throwing the variometer rotor out of phase; which will cause lack of volume and sensitivity.

A common cause of noisy reception, in this series, is found in apparently perfect detector plate by-pass condensers. There are two of these, in parallel; disconnecting them, alternately, will show which is at fault. They are .001-mf. capacity. (Fig. 2).

When pilot lights on the Majestic "90" series take to burning out, substitute a flashlight bulb rated at 3.8 volts. Although in a 2.5-volt circuit, this will throw sufficient light on the dial plate, and will last much longer. If pulling the first A.F. '27 tube out of the socket makes no apparent difference in the volume, it is almost certain that the biasing resistor is open. This is usually a wire-wound, flexible component, connected from the under lug of the "4407-P," by-pass condenser to the metal frame of the first audio transformer.

In Eada A.C. models "10," "16," "15," and "35," the leads from the R.F. coil leads are soldered to lugs, which are fastened to the coil bases. These lugs protrude from the shields, for convenience in making connections; brushing against them, and vibration, cause them to shift, and result in shorts. This results in complaints of low volume and, sometimes, no reception.

Hum in a Zenith "42," which uses three stages of audio—the last a '50—has been found due to the center-tapped resistor across the filament of the second A.F. stage.



Left, the variometer of the Bosch "48," which must be properly shielded and connected; right, the detector by-passes.

This resistor, which is wound on an insulating form and riveted to the chassis, sometimes shorts to the chassis through its lugs.

In the same model, after the shield cans have been removed, it is necessary to replace the leads in the small grooves, provided for them in the shields, with care to avoid cutting the insulation when the cans are replaced.

## Kolster Models

It is possible that several readers have been experimenting to determine the cause of microphonic conditions in Kolster "K20" sets, which have been marketed in large numbers. A number of Service Men among whom was the writer, considered the problem from various angles—such, for instance, as proper cushioning of the chassis to prevent vibration being transmitted from the speaker. Several makes of '27 tubes were tried, to find out whether any were less affected by vibration.

It became evident that the microphonic condition was due, at least partially, to the fact that the receiver was too near oscillation; and methods of reducing the amplification were tried. The first was to increase the value of the grid suppressors

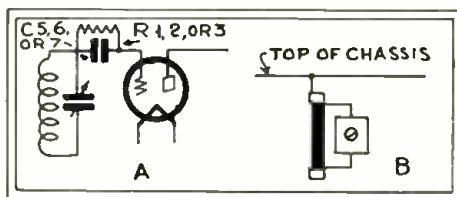


Fig. 3

Kolster "K20" grid suppressors are by-passed by very small condensers, as at A; the position of the parts is shown at B.

in this set (which is shown completely in Radio Service Data Sheet No. 27, which appeared in the October, 1930, issue of RADIO-CRAFT.) However, while this made the set less sensitive to microphonic noises, it also reduced sensitivity.

It was found that by removing either the second or the third of the small by-pass condensers which are across the grid suppressors, the set was thrown farther away from oscillation, without seriously affecting the sensitivity; these condensers are factory-adjusted and sealed with wax, and attached to the grid suppressors in the manner shown in Fig. 3. Placing weighted caps upon the tubes is also a helpful procedure to stop microphonics.

Another complaint, in this model, was of noise which could not be traced except by removing all R.F. tubes, indicating that the fault was in the detector, the audio end, or the pack. In some cases, the voltage divider was found defective; this component is enamel-coated, and cracks or irregular distribution of the enamel are followed by

trouble due to moisture, corrosion and changing values. In other cases, more common, the audio transformers are to be blamed. To obtain compactness, both the first- and the second-stage transformers are housed together; and often the entire unit must be replaced. However, impressing a high voltage upon each primary (after disconnecting the leads) sometimes effects a cure of the noise.

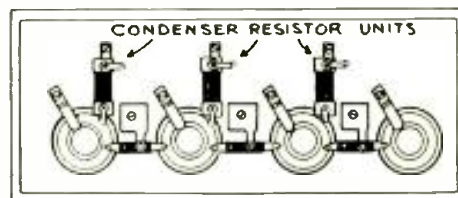


Fig. 4

Position, in the Philco "87" of R.F. plate resistors which include their tubular by-pass condensers.

## Colonial Sets

With its novelty, the Colonial "33AC" also recently stumped a number of Service Men; the complaint was in all cases, oscillation on the highest waves. This was finally traced to an open condenser, in the double unit which contains the by-passes from plate and screen-grid of the second '24 R.F. tube. This component is found on the under side of the chassis, near the left front corner; it is metal-clad, and the value of each capacity is 0.2-mf.

Low volume and poor quality on the "32AC" may be due to any of a number of causes; one which may be readily overlooked is open field winding in the dynamic reproducer. Usually, the dynamic used with an A.C. set obtains the necessary field current from a series connection with the power pack, in which it serves also as a filter choke. In this Colonial model, however, the field coil is connected across the entire output of the pack; and tests for continuity must be made with the field leads disconnected from the set. By turning the chassis on its side, and placing a metallic object (such as a screwdriver) near the field, it may be readily determined whether the coil is open or faulty.

When installing a new volume control in this receiver, it is necessary to remove all the hardware from the old unit to replace it on the new. This volume control is of dual type; the two parts being held together by a single long screw and nut. When it is placed in position, be careful that the screw and nut do not short to the chassis anywhere. The screw makes contact with the arm of the outer control, which is the antenna resistor; and will short the aerial to the chassis if it makes contact with the latter.

Another cause of fading in this model may  
(Continued on page 428)



# The Service Man's Open Forum

*His Opinions on Conditions and Practices in the Radio Business*

## CAN THIS BE SARCASM?

Editor, RADIO-CRAFT:

I have just read the article on page 267 of November RADIO-CRAFT, entitled "The Flying Service Man." I hope you were not being sarcastic when you wrote that heading. What I want to know is this, what did he do with the rest of his time? If he had been making calls out in the country where he had to drive ten or twelve miles between calls, it might have done very well; but he says himself that he only drove 43.3 miles in all.

The way some of these young chaps waste the boss' time is nothing short of a crime. Just two instances from Mr. Clerk's log: "10:35 \* \* burnt-out '80 tube. Replaced it and ran complete test. All O.K." But he did not arrive at the next call until 10:45!

Another: "11:25 \* \* Visual inspection and complete test showed everything O.K. Inspected aerial; it was 200 feet long, and parallel to car-line feeders. Shifted it to right angles with line, and shortened it to 90 feet, including lead-in. \* \*" And it was 11:40 before he reached the next job! How has a man the nerve to write to a magazine about his work and admit that he fools away his time like that? Is it any wonder that an owner of a service shop does not want to pay more than \$75 or 80 per week, when the help lay down on him like that? Some folks have no sense of shame; they will loaf on the boss' time and then brag about it.

R. L. HASTINGS,  
Stratton, Maine.

## TOO MANY TRAFFIC LIGHTS

Editor, RADIO-CRAFT:

"The Flying Service Man" was very interesting reading. I was very much impressed with Mr. Clerk's account of his methods, but I think you must have made a slight omission, as you showed the times of these 25 calls, by leaving out the dates.

I have been in the game for several years, but Mr. Clerk can have all my marbles and my glass-eyed shooter. I have plenty of trouble getting by traffic signals, and the cops seem to be looking my way most of the time; nevertheless, more power to you, Clerk, but the question before the gang is "how"?

C. A. CONKLIN,  
Madrid, Iowa.

## WHAT A SKEPTICAL BUNCH!

—Am wondering if you didn't head it that way intentionally to give us an opportunity to wonder if your printer didn't use too many letters in the title. However, don't try to print this; he might be a lot bigger than I am.

GEORGE OLSON,  
Carrington, North Dakota.

(You are far enough away from Montreal to be safe, Mr. Olson.—Editor.)

—This is the most absurd article I've ever read in a Gernsback publication. If any

man tries to tell me that he can make an intelligent test of a Victor "RE45," Majestic "92," etc., in 15 minutes, I dispute his statement. It can't be done—that is, rightly. He must have done his checking with one of those analyzers which tells you that the voltages to the grid, plate and filament are within the 40% limit of being correct; and then all there is left to do is to press the little red button—and the difference in mills tells you that the tube is O.K., *maybe!* Anyway, I like the rest of the magazine.

C. W. LEWIS, JR.,  
Service Man, Roger Putnam Co.,  
St. Louis, Missouri.

## THE "FREE" SERVICE CALL

Editor, RADIO-CRAFT:

I have read the letter of Mr. Louis Minatel, of this city, in the November issue of RADIO-CRAFT; and I think the answer to his inquiry is to be found in "Questions and Answers," in the radio section of the *Indianapolis Star* for Sunday, Oct. 19.

A set owner relates that a man called and offered to test his tubes free of charge. After testing, the owner was informed that he needed a complete new set of tubes; he believes that his radio is working satisfactorily now, and asks if there is any way to check up on this test.

The editor of this radio column gives a very intelligent answer; advising the set owner to have the "Service Man" (probably just a tube salesman) install his new tubes and see whether the results are an improvement. (Ten to one, this so-called "Service Man" won't do it).

Take heart, Mr. Minatel. I have been servicing radios with a \$1.50 minimum charge, in your home town, since a time when most of these "50-cent" and "no charge" Service Men did not know grid from plate; and I have plenty of business.

After all, the public is today pretty skeptical of anything that is offered for nothing; and the man who is willing to give away his services evidently doesn't, himself, consider them very valuable. The object is to sell tubes, whether needed or not; and thank heaven, the majority of set owners realize it.

I do not sell tubes unless the customer can note the improvement when they are put in his set; and he is glad to pay \$1.50 service fee and know that he won't be loaded up with fifteen or twenty dollars' worth of tubes he does not need. My conscience is clear—and my old customers get me new ones.

RUSSELL R. BYERS,  
1036 Eugene Street, Indianapolis, Ind.

## SERVICE ADVERTISEMENTS

Editor, RADIO-CRAFT:

I have been in the same fix that Mr. Minatel talks about; and I found the only way to discourage such prices is to step on them. I have been in the service business eight years, and found it increasingly harder each year because of this price cutting.

My old customers would call somebody

else to do their service work, because they did it cheaper. I am not afraid of fair competition; I lowered my prices to a dollar a call and, for a short time, had pretty good results. The companies advertising in the Detroit newspapers soon cut their prices to 50 cents, and then offered free service. This knocked my business cold; but I refused to advertise free service.

The newspapers kept calling me to solicit my advertisement in their columns daily; but I refused and told them the reason why. It came to the point where the local Better Business Bureau took a hand in the situation, and requested the newspapers to refuse to accept advertisements giving a price or offering free service.

The result? Fewer calls from each ad; but a much better class of trade. I think that, if this system were tried in other cities, there would be fewer starving Service Men, and all would have a fair chance. Hoping this will help others.

SIDNEY CLARK,  
5355 Pacific Avenue, Detroit, Michigan.

## ATTENTION, CLEVELAND B.B.B.

—We here in Cleveland, who try to run an independent service, are out of luck. There are organizations here that have a 50-cent service charge, and give yearly contracts for monthly inspections. We're no longer men of a profession, to have to accept so low a fee for our services. Neither can the independent Service Man get parts discounts, except in rare cases.

Shaker Heights, Ohio.

## GOOD BUSINESS METHODS

Editor, RADIO-CRAFT:

I think that Mr. Minatel did not quite get the idea of the meaning of "Service Charge."

I think it would be a good thing to publish a few facts about this phase of the game. He quotes an article or ad, that was clipped out of an Indianapolis publication which reads "50c per call—Expert service. Why pay more?" Did it occur to him that, in radio service, the service call price is for the call only? This customary fee does not include any work whatsoever, outside of checking the set and locating the trouble.

Although I charge one dollar for my calls, there are several large service concerns in this city that check radios free of charge. This does not hurt my clientele in the least; because, if a radio man knows his onions, he is bound to get enough to keep him busy if he is a hustler.

The service charge is used more or less as an entrée; as very few people call for radio service that do not need it. As a rule there is very much the matter with sets when you are called for service. (Outside of free dealer service.)

When a call is made, and a major repair is necessary, it will be found that oftentimes the customer will not be able to meet

(Continued on page 432)





# SILVER-MARSHALL SUPERHETERODYNE, WITH "MODEL 36A" CHASSIS AND "32A" POWER PACK

1400 kc. and the oscillator at 600 kc. To locate accurately the point at which 600 kc. is passed by the R.F. amplifier.

To do this, the wire connecting V<sub>6</sub> (on the centrally-located micarta strip) to C<sub>4</sub>, is disconnected from C<sub>4</sub>. The free end of this wire now should be connected to a separate 350- or 500-mmf. condenser; the other side being grounded to the chassis. The test oscillator should now be re-adjusted to 600 kc., and the receiver dial turned to that reading as well. The external condenser, which has been added to the oscillator, is now rotated until the signal is heard; and the input to the receiver from the oscillator is adjusted to give a convenient value on the output meter connected to the output of the receiver. The dial of the receiver should now be rotated, turning the gang condenser, until the reading in the output meter is a maximum. From this point on, both the setting of the receiver dial and the adjustment of the four trimming condensers on the gang condenser should remain undisturbed.

The external condenser should now be removed; and the wire between the oscillator section of the gang condenser and the second oscillator trimmer should be replaced and soldered. Now, with a bakelite screwdriver, adjust this oscillator low-frequency trimmer, by means of the adjusting screw in the back of the micarta mounting strip, until the output meter reads maximum. This completes the alignment procedure on the receiver. If, after the chassis is replaced in the cabinet, the dial does not read exactly true, it may be shifted slightly on the shaft.

A new cord may be installed on the drum dial without removing the dial from the set; a 2 1/2-in. length of "SM 3913" Heavy Dial Cord is required. If the drum dial turns stiffly, the gang-condenser bearing may be too tight.

for medium volume (on a local station) and selecting the tube which gives best tone quality.

A noisy volume control may often be repaired by simply turning the control knob rapidly to remove oxidation.

If an exceptional hum develops, check for defective power or rectifier tubes. The power tubes, and each plate of the rectifier tube, should read within 5% of each other. Also, hum may be due to the pilot light V<sub>10</sub> becoming grounded.

Granting that good tubes have been selected, a microphonic howl may be due to non-removal of shipping blocks; or to the receiver chassis not being entirely supported by the rubber cushions.

Many radio service stations have a workbench with a metal top. The manufacturers of this set point out that it should be aligned only on a table with a wooden top. If the set lacks sensitivity and selectivity, even though all tubes check perfect, it is probable that the circuits should be aligned.

Start with the I.F. circuit, then check up the R.F. and oscillator circuits.

The I.F. transformer trimmers are accessible through the tops of their shield cans, adjustment for 175-ke. frequency being made with an insulated screwdriver.

Before proceeding with this alignment process, it will be necessary to provide a temporary pointer, on the dial scale, against which alignment may be made (the chassis being out of its cabinet). Arrange the pointer so that (with the setscrew stop on the drive shaft released and the variable condenser against its own stop in the minimum position) the temporary pointer will line up exactly with the line marked "stop" on the dial. The dial should then be rotated until the 1400-ke. marking is directly opposite the temporary dial pointer. Both of these operations must be performed accurately. The R.F. circuits are to be balanced at

volts; V<sub>3</sub>, 80; V<sub>4</sub>, V<sub>5</sub>, 110; V<sub>6</sub>, 162. Grid potentials; V<sub>7</sub>, 22.5 volts (depending upon meter); V<sub>8</sub>, 42.5. Cathode potentials: V<sub>1</sub>, V<sub>3</sub>, 37.5 volts; V<sub>2</sub>, V<sub>6</sub>, 7; V<sub>4</sub>, 42.5; V<sub>5</sub>, 45.0. Plate potentials: V<sub>1</sub>, 82 volts; V<sub>2</sub>, 162; V<sub>3</sub>, 76 (depending upon meter); V<sub>4</sub>, V<sub>5</sub>, 160; V<sub>6</sub>, 245; V<sub>7</sub>, V<sub>8</sub>, 255. Plate currents: V<sub>1</sub>, 11 ma.; V<sub>2</sub>, V<sub>4</sub>, V<sub>5</sub>, V<sub>6</sub>, 4; V<sub>3</sub>, 3.

One 800-ohm section of the field coil supplies "C" bias for the power tube. Switch SW<sub>2</sub>, the "local-distance" control unit, controls both selectivity and amplification at the same time. One power tube is impedance-coupled, and the other transformer-coupled, to the detector tube. The undistorted power output of this combination is rated at 4 watts.

It may be found desirable to arrange a line filter, consisting of two 1-mf. condensers in series; the center tap being grounded, and the two ends being connected across the light line, at the receiver. In some localities, it may be necessary to use a shielded lead-in, the antenna length being increased to compensate for the by-pass effect of the shield.

When placing the tubes in the sockets, note that the little metal disc should be placed on top of the '24 tube shield located third from the left, with the grid wire passing through the slot.

Perhaps the most important comment, in connection with this receiver, is the suggestion that extreme care and attention be given to the selection of tubes of satisfactory characteristics for the different positions in the set.

The first detector (V<sub>3</sub>) may be selected by tuning in a weak station, and tapping the tube in the second-detector (V<sub>6</sub>) socket; least noise being the desired quality. When a non-microphonic tube is located, it is to be taken out of socket V<sub>6</sub> and put in socket V<sub>3</sub>. The tube for regular use as V<sub>6</sub> may be selected by turning the volume control

This late model superheterodyne, a product of Silver-Marshall, Inc., Chicago, Ill., operates on an intermediate frequency of 175 kc. The single stage of signal frequency amplification is preceded by a band-selector. The power consumption is only 100 watts, and it is so sensitive that an antenna longer than 25 feet will seldom be required.

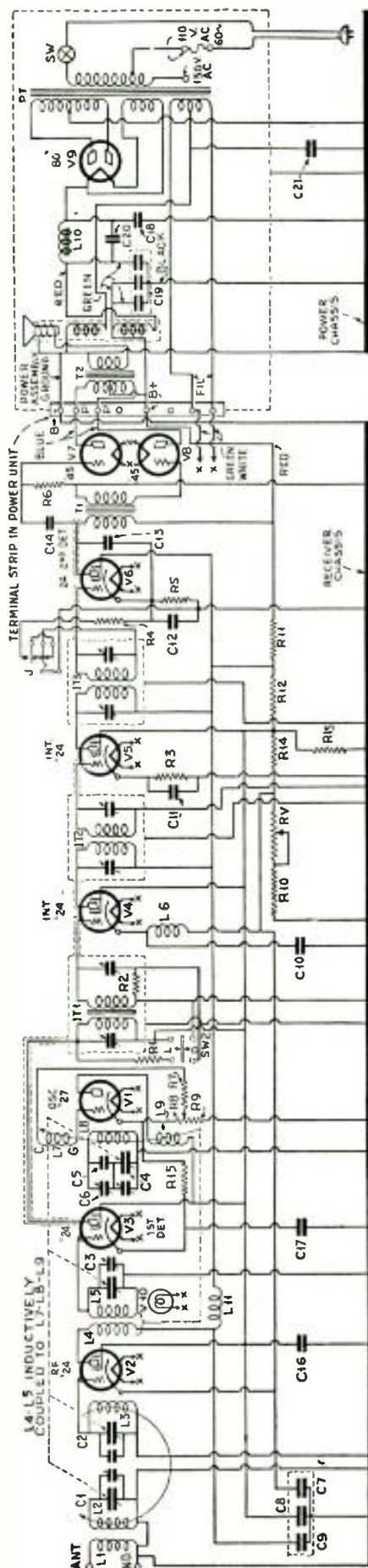
The load for the power pack is the receiver chassis; and the pack must never be operated without the receiver chassis being attached. This is important.

Following is a list of replacement-part values: Condensers C<sub>1</sub>, C<sub>2</sub>, C<sub>3</sub>, C<sub>4</sub>, 407 mmf.; C<sub>5</sub>, 750 mmf.; C<sub>6</sub>, 250 to 600 mmf.; C<sub>7</sub>, C<sub>8</sub>, C<sub>9</sub>, triple 0.1-mf. bank (C<sub>7</sub>, C<sub>8</sub>, 200 volts rating; C<sub>9</sub>, 300 volts); C<sub>10</sub>, C<sub>14</sub>, C<sub>16</sub>, C<sub>20</sub>, 0.25-mf.; C<sub>11</sub>, C<sub>17</sub>, C<sub>21</sub>, 0.1-mf.; C<sub>12</sub>, C<sub>15</sub>, C<sub>18</sub>, 1.0 mf.; C<sub>13</sub>, 0.01-mf.; C<sub>19</sub>, 4 mf. electrolytic condenser bank.

Resistors R<sub>1</sub>, R<sub>5</sub>, 25,000 ohms; R<sub>2</sub>, 500 ohms; R<sub>3</sub>, 750 ohms; R<sub>4</sub>, 2,000 ohms; R<sub>6</sub>, 300,000 ohms; R<sub>7</sub>, 400 ohms; R<sub>8</sub>-R<sub>9</sub>, 100 to 1000 ohms on one strip, wire-wound; R<sub>10</sub>, 375 ohms; R<sub>v</sub>, 3,000 ohms; R<sub>11</sub>, 3500 ohms; R<sub>12</sub>, 4,000 ohms; R<sub>13</sub>, R<sub>15</sub>, 10,000 ohms; R<sub>14</sub>, 20,000 ohms. Resistors R<sub>2</sub>, R<sub>3</sub>, R<sub>7</sub>, and R<sub>10</sub> are wire-wound. Note that resistors R<sub>12</sub> and R<sub>13</sub> are of 2-watt rating; while R<sub>11</sub> is rated at 3 watts.

The inductances in this receiver have the following catalog designations: L<sub>1</sub>, L<sub>2</sub>, ".No. 161" coil; L<sub>3</sub>, ".No. 160" coil; L<sub>4</sub>, L<sub>5</sub>, ".No. 162" coil; L<sub>6</sub>, L<sub>11</sub>, ".No. 281" choke; L<sub>7</sub>, L<sub>8</sub>, L<sub>9</sub>, ".No. 163" oscillator coil; L<sub>10</sub>, ".No. 339" choke. The speaker field S<sub>1</sub> has a resistance of 800 ohms per section. The transformers are listed as follows: T<sub>1</sub>, ".No. 272"; T<sub>2</sub>, ".No. 271A" or special; T<sub>3</sub>, ".No. 346"; T<sub>4</sub>, ".No. 212"; T<sub>5</sub>, T<sub>6</sub>, T<sub>7</sub>, ".No. 213."

Average tube-supply values for this receiver are as follows. Filament potentials: V<sub>1</sub>, V<sub>2</sub>, V<sub>3</sub>, V<sub>4</sub>, V<sub>5</sub>, V<sub>6</sub>, 2.27 volts; V<sub>7</sub>, V<sub>8</sub>, 2.4. Screen-grid potentials: V<sub>2</sub>, 85



# If I Wanted to Make Money in Radio, I'd—

*And an authority suggests a few ideas that may be valuable to the dealer and Service Man*

By J. B. STRAUGHN\*

**F**IRST, I'd get a fundamental knowledge of radio and, not until I was thoroughly satisfied in my own mind that I was capable, would I go after radio work. I would never be satisfied to be one of those "I-think-I-know-it" radio men—I'd want a real insight into the underlying principles of radio and correct radio practice. With knowledge of this kind, "the sky is the limit." Without it, I'd realize that I wouldn't have a chance to attain real success. Besides taking a recognized radio course, I would subscribe to good magazines which, I know, would help to keep my knowledge up-to-date. The radio field changes so rapidly that what is the last word today may be entirely obsolete three months from now.

Assuming that I have developed my knowledge and my ability, I would make definite plans to get my share of the local business. I would make a thorough survey of my territory, taking into consideration such factors as general business conditions, number of set owners and the average income of my prospects. With this information, I would be able to gauge accurately my prospects and the business I could get. Then I would be ready to go after radio work in earnest.

I'd distribute business cards among the radio stores and those concerns handling radios as a side line. The business cards would carry a simple, "straight-from-the-shoulder" story, and that is all. In interviewing the managers of these concerns I would do all I could to prove to them that I was capable of doing radio service and installation work, and urge them to let me handle their servicing on a piece work or time basis.

I'd go after those stores, in particular, that sell radios on the side, and arrange special prices for installing and servicing their receivers over a period of about three

months. I wouldn't worry about how much money I made in this deal; for I would know that, when the time period was up, I would have a customer worth every effort I had made. I would be very careful, in making comments when servicing a radio dealer's receiver, not to say anything derogatory. I would keep in mind that it is just as necessary for the customer to think well of the dealer who sold him a receiver as it is that he think well of me.

Then, houses with antennas visible are inhabited by people who own radios. If there was any way that I could get their names, I would do so and either call on them personally or write to them. If I couldn't get their names, I would drop handbills or business cards into their mail boxes.

I would run an "ad" in my daily or weekly newspaper and I would see that it was placed next to the radio programs, if possible. In this way I could bring to the attention of radio owners that I was a qualified radio-trician in a position to render satisfactory service. A small ad is just as valuable as a large one—one or two inches, one column, with a bold border—and a very simple story is all that is needed. I would change my story from week to week to show that I was alive and that I was giving thought to my prospects, talking to them through my little space in the paper.

I would particularly keep posted on general happenings of importance and the big broadcasts which usually go with them. One

or two weeks before a particular event, I would word my ad to read something like this: "Get your radio working 100% before the big fight (the President's speech, or the Army and Navy game, etc.) by telephoning me at No. (my telephone number) etc." Many a wide-awake Service Man has "cleaned up" putting sets in shape for a feature broadcast.

I would put a sign on my porch or fence, advertising that I was a trained Radio-Trician and, to show that I was an electrical man, I would have it illuminated so that it would be visible at night. A sign like this wouldn't cost much and it would be a real beacon for distressed radio owners. I would put signs or display cards in windows of business houses that would give their consent; always bearing in mind that it is necessary to maintain a dignified and conventional front.

But I would always remember that good business cards constitute the best and cheapest advertising possible. These can tell my story simply but completely. It isn't necessary to come right out and ask my friends and acquaintances to let me fix their sets—a word about ability will put them "wise."

Uncle Sam's postal system is always a good business medium. I'd get up a snappy form-letter or circular, have it multigraphed and mail it to set owners whose names and addresses I had. I would give a great deal of attention to the appearance and contents of this circular letter—that is, make it look as if it contained a personal message.

As an alternative or "follow-up," I could send out double post cards with perforations between, one side carrying a short advertising mes-

*The external appearance of an attractive radio store in a Detroit, Mich., neighborhood. Observe the window score board. This is the shop of Fred E. DeMerse.*



\* Consultant, Technical Division, National Radio Institute, Washington, D. C.

*The sanctum of the Community Radio Store shown above; the workbench is equipped with the latest testing equipment with which a trained radio trician can give the kind of service that brings more business.*

On the back of that, I'd have something like this: "Please call and inspect my receiver. I understand that you will render this service without any obligation on my part." After that, I would leave two lines for the name, address and phone number of the set owner. In the advertising portion of my circular card, I would list some of the many things that make for better radio reception, such as having a proper antenna, the addition of a tone control, etc. I would point out the necessity



**T**HE two articles printed here together were received separately, one from an adviser of Service Men, and one from a Service Man. There are many suggestions in each.

What we ask the numerous radio dealers and Service Men among our readers to send in is their profitable experience, in business no less than technical methods. Novel ideas are what count. Such articles will be rewritten, if necessary; illustrations are desirable if clear.

of having the tubes checked regularly. I would stress the importance of a periodic check-up of the entire receiver and mention the convenience of having extra speakers.

On every job, no matter how small or how large, I would see to it that my customers were thoroughly satisfied with my work. My guarantee of satisfaction must be more than a meaningless lot of words. In one or two cases, I might actually lose money on a job because of my guarantee; but that should be charged up to advertising and good-will cost. In building up any business, customer confidence is essential; and this applies to all customers, not just to a select few. It should be apparent to my customer that I have confidence in my own ability. A real guarantee will make him willing to pay as much, if not more, than he would pay the other fellow who does not guarantee his work.

I would not overlook the fact that my customers have opinions of their own and I would never force my opinions on them. I would merely suggest what I believed to be right and, if they still insisted, I would do as they desired if technically possible; even in spite of my better judgment. In other words, I would remember that the customer is always right and I would carry this motto in my mind in big black letters.

I'd be prompt and courteous. I would handle every call on the "dot." If I were rushed, I would frankly tell the customer, and make no engagements which there was the slightest doubt of my being able to fill. Nothing annoys a customer so much as to be kept waiting for a promised service call.

If I had a big job that would take considerable time, I would lend the customer one of my own receivers—it might be a custom-built set or one of those special mantel jobs that are being sold as second receivers for every household. It is a well-known fact that, when a set owner wants his set put in shape, even though it has not been working for months, he wants it "now." He doesn't want to wait. He wants radio reception and that is why I was called. A set left "on loan" usually results in good "word of mouth" advertising.

If I had specialized ability to handle difficult service jobs that required expert knowledge and special equipment, I would equip my laboratory bench with the most up-to-date devices for testing radio receivers and public-address systems, and I would use them. My diagnosis of receiver troubles would be based on facts—not on guess work. I would watch radio magazines for special testing circuits and devices and, if they would fit my needs, adopt them for my own use.

If I were definitely interested in radio servicing only and not in radio sales, I would stick to it 100%; but I wouldn't overlook the fact that the average dealer doesn't sell automotive receivers, doesn't make or sell custom-built receivers, has no inclination to be bothered with short-wave outfits and television equipment, and has no interest in special installations such as receiver chasses in book cases, in staircases or walls. I'd pick up as many of these specialties as might be profitable in my locality and push them to the limit.

Inside leads for new receivers, developed through my service work, could be followed by an arrangement to sell complete radio receivers on a commission basis for the dealers for whom I do extra work. On my own hook, I would sell accessories and build receivers to order as requested, even though they might not be those I specialized in.

I would secure a phonograph pickup and buy or build a power amplifier with two channels; so that I could furnish music for parties, plays and church events. Of course, I'd give considerable thought to the selection of records, including the latest dance records, symphonic numbers and popular music. A small ad in my local paper would book me up, months in advance, for business of this kind which flourishes all the year round.

Lastly, I would never forget that earning money is like making a garden—the ground must be prepared, the seed be planted, the sprouts cared for and the plants protected in order that a rich harvest may be reaped. Promptness, courtesy and ability build up a good reputation; and profitable business naturally flows to the man who can be depended upon for real service.

**"BREAKING IN" TO THE SERVICE BUSINESS**

By Ralph Mellon

**M**ANY young men, who have taken a correspondence or other technical course in radio, would like to cash in on the knowledge thus gained, and, at the same time, acquire the necessary experience for advancement in the field. It is for those men that this is written; and my advice to them is, "Go into the service business."

Now you are no doubt asking: "Just what opportunities does the radio service business afford?" Well, I'll tell you:

- (1) You may start with very little capital; about one hundred dollars should make a nice start.
- (2) You may do the work right in your own home, making the overhead small.
- (3) The pay is good, about \$75 to \$100

(Continued on page 429)

# EXPERT RADIO SERVICE

I install, repair, service all makes of Radio Sets; also build sets to order and guarantee my work.

**HOMER F. SAVILLE**  
Radio-Trician  
503 West Main Street  
Blanchester, Ohio  
Phone 3647

**IS YOUR RADIO Weak-Sick?**

Don't throw it away. I'll put it back on "it's feet" with more pep than it ever had. That's my guarantee.

This space for your name, address, telephone number, etc.

**YOUR RADIO SET INSPECTED Free**

I'll call and inspect it thoroughly, without a penny's cost to you. It may save you many dollars in expensive repairs later by stopping excessive current drain, corrosion that may be going on now.

This space for your name, address, telephone number, etc.

**This Your Set?**

Why put up with squeaks, squeals, growls that spoil your program. Call me. I'll end the trouble, and give it months of new life and usefulness. I guarantee my work.

Your name, telephone

**EXPERT RADIO SERVICE**

I'll make your set work satisfactorily or charge you nothing. I repair, remodel, install all types and models of Radio sets and guarantee my work.

Your name, address, telephone number here

**YOUR RADIO SET INSPECTED Free**

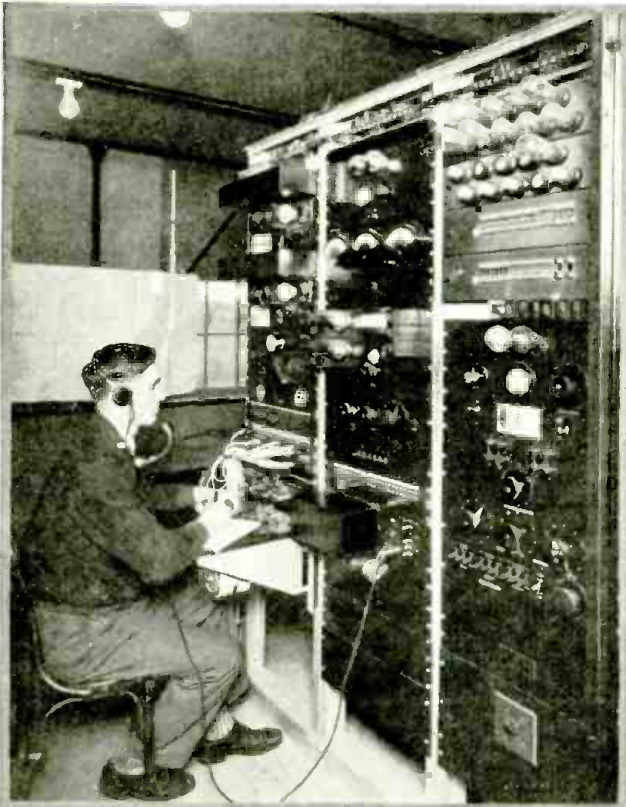
Make sure your set is in tip-top shape. I'll call and inspect it thoroughly. Without a penny's cost to you, I may stop expensive repairs later by stopping excessive current drain, corrosion that may be going on now.

Your name, address, telephone number here

Small local advertisements backed by the national advertising build up trade for the radio-trician. Display cards, properly distributed, help greatly.



# New Radio Applications—Great and Small



**Fig. A (left)**

*This transmitter-telephone exchange is the "central" used for intercontinental radio telephony. The long-distance wires, which run in to the operator's panel, are connected by him into the transmitter's amplifier.*

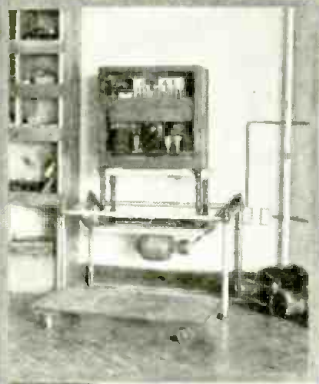
*(Photo Bell Telephone Laboratories)*



**Fig. B (right)**

*The tube shown here, intended to amplify inconceivably small currents, is described on the opposite page.*

*(Photo General Electric Co)*



**Fig. C (left)**

*This, dear readers, is a miniature Coney Island for radio sets which like to bump the bumps. The motor makes the table top shimmy, for the purpose of testing the resistance to vibrations of the joints and connections.*

**Fig. D (right)**

*This big power plant is not Muscle Shoals, but a part of KDKA's new plant. My, how that child has grown; we remember it as a 500-watter. (Photos Westinghouse Elec. & Mfg. Co.)*



**Fig. E (left)**

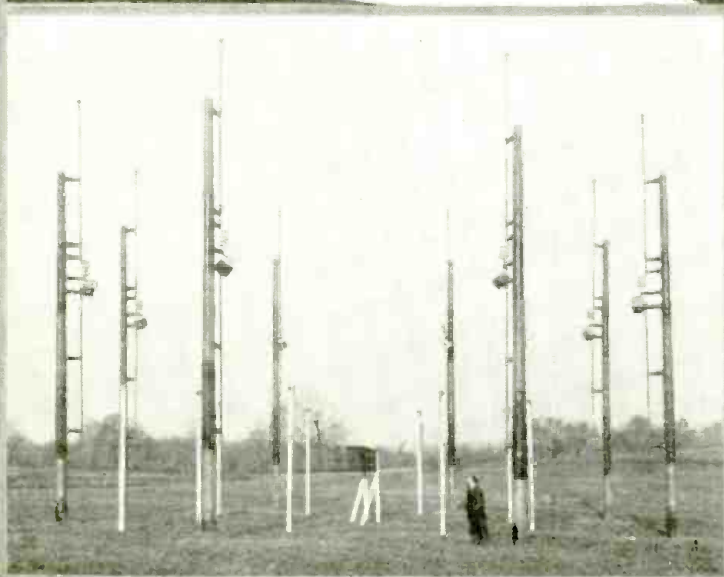
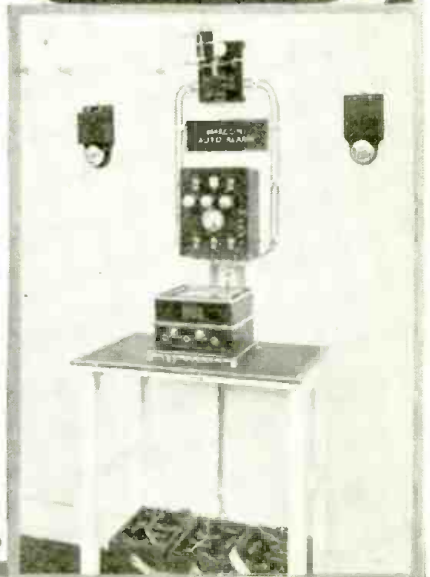
*A part of the grounds of KDKA's new Saxonburg station. This is one of the short-wave spray antennas (the long-wave spray antenna, described in last month's RADIO-CRAFT, is too big to get into one photograph). Each of the poles shown here carries a perpendicular aerial and counterpoise; and the eight work together directionally.*

*(Photo Westinghouse Elec. & Mfg. Co.)*

**Fig. F (right)**

*The automatic alarm for ships; this will send out, or pick up, a distress signal; it will be described in a forthcoming issue of this magazine.*

*(Photo The Marconi Company)*





### Some of the Ingenious Things Which Radio Laboratories and Engineers Have Produced

**R**ADIO telephone work, as all short-wave fans know, is increasing. Between New York City (or rather its outlying transmitters) and the principal cities of Europe and South America, there are radio lanes devoted to code work, and some to telephone operation; England is linked to Canada, South Africa and Australia; France and Holland to their colonies and Germany to both east and west; while the largest ocean liners carry telephones, too. The result is that conversations meet the ear over a large part of the tuning dial.

In late weeks, too, sounds that resemble no known language have been heard by the listeners. This is the "scrambled" or "inverted" speech, produced by inversion of audio sidebands, which changes the quality of speech completely; since the pitch of the voice creates the "consonants" of speech. The signal is automatically restored, at the receiving end, to its normal frequencies and intelligibility, by reversing the process of "scrambling."

It is possible, from any station in the telephone system of the United States, to talk to the Europeans, South Americans, Australians, or any one else who can be reached by wire from any radio station on the other end. Naturally, of course, a "central" is required at each end of the radio link; and in Fig. A, on the opposite page, we see *him* with his rather complicated switchboard, where radio and wires meet.

The fact that radio appliances have been increasing in power has been often impressed upon us. Fig. D, for instance, shows a generator room with power enough to light a good-sized city; yet all this is merely part of the equipment of one radio transmitter, the new super-power KDKA. It is only ten years since that station started regular transmissions, on the night of the election in 1920; and it had then the unrivalled power of 500 watts. It celebrated its tenth anniversary with a broadcast on 50,000 watts; and the station just erected, with an authorized testing power of 400 kilowatts, is built so that nearly four times that power can be utilized when the occasion comes.

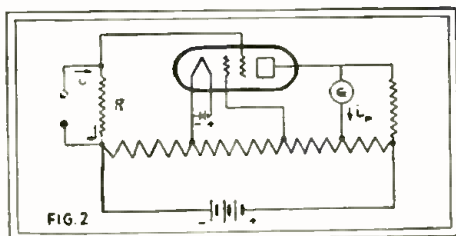


FIG. 2  
A circuit using the low-grid current tube to produce a measurable output from a very small direct-current input.

#### Get Your Figuring Pad

On the other hand, it is perhaps not readily realized how radio has been increasing in delicacy. The tube shown in Fig. B, with its internal arrangement outlined in shadow in the background (and explained in Fig. 1) is a new development for the purpose of amplifying direct currents so tiny that the imagination fails to grasp them. It is sensitive to a flow of current amounting to ten one-quintillionths of an ampere,

or 63 electrons a second. These figures are not impressive, until we consider that one ampere represents the flow past a given point every second of 6,277,000,000,000,000,000 electrons—plus or minus a few odd trillions, etc. The reader who is good at arithmetic may amuse himself by comparing this number with the grains of sand in the earth, or drops of water in the sea.

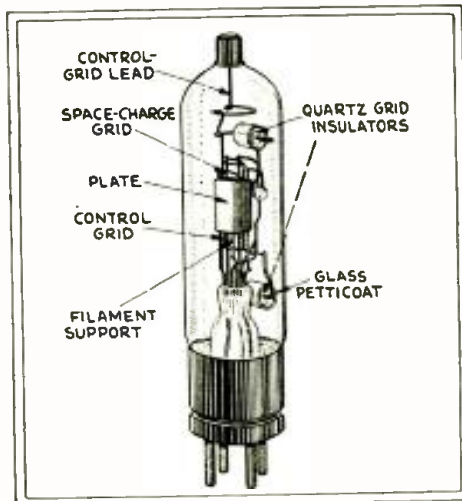


Fig. 1

The elements of the inconceivably sensitive tube are designated here, for comparison with the photographic reproduction in Fig. B, on the opposite page.

Leaving this aside, it may be said that this tube is a hundred times as sensitive as those "pliotrons" previously obtained. In order to accomplish this, it was necessary to eliminate as far as possible tube "noises" or, rather, the variations in current due to irregular atomic and molecular activities between its elements. The vacuum in the tube was rarefied to a trillionth of the normal atmospheric pressure; though even this leaves millions of gaseous atoms in the bulb. However, on the average an electron can travel sixty miles in such a vacuum without striking a particle of gas, according to physicists. In addition to this, a space-charge grid was placed between the control grid and the filament.

The result is, that the effective resistance of this tube between grid and filament mounted to 10,000,000,000 megohms; and the current between this grid and the filament fell to one billionth of a microampere. Against this almost infinite input resistance, the incredibly small variations in input current could be detected. A circuit utilizing this low-grid-current tube, shown in Fig. 2, illustrates its operation. The galvanometer G is calibrated in microamperes; and the resistor R, across the tube's input, should have a value of 400,000 megohms, if the full sensitivity of the tube is to be utilized.

A tube whose characteristics run into such astronomical figures, it need hardly be said, can be applied only to special purposes of delicate measurement, operation from photoelectric devices, etc. Its mutual conductance is but 25 micromhos; yet the measurable plate current variations are a hundred trillion times the control-grid variations shown in Fig. 3. The tube, obviously, is not a voltage amplifier; its "gm" is *one!* Its plate voltage is 6; space-charge

grid 4; control-grid, 4 negative. The filament of this tube, which is the General Electric type "FP-54", draws 110 milliamperes at 2.5 volts; the normal plate current is .04-milliampere, and the A.C. plate resistance 40,000 ohms.

#### Anticipating Service Troubles

It is well known to Service Men that a good many of their calls, and oftentimes long hours of perplexity, are due to the development of slight mechanical defects in manufactured receivers, which causes the breaking of electrical connections or, at least, the introduction of high resistances into circuits. Now, the original model of the receiver was very carefully engineered; but, under conditions of factory production, it is possible for a concealed fault to escape detection under the eyes of more than one inspector, to come out only when the receivers have been transported long distances into the homes of their final owners.

Some years ago at least one enterprising manufacturer was wont to put his wares in packing cases and roll them down a few flights of stairs, to determine how well they would stand shipment. The device illustrated in Fig. C is as effective, but more systematic. It was erected in a proving laboratory, built away from the factory "so that the men working in it will not have the 'factory' point of view." Here the sets, received after rail and truck transportation, are put on the vibrating table shown and jarred to find their weak points, if any; then they are tested and retested, through suitable panels which give exact visual measurements of their outputs as compared with their inputs.

Fig. E, which may be compared with the article on page 342 of last month's *RADIO-CRAFT*, shows the "spray antenna" principle applied to short waves. The eight vertical antennas (Hertzian aerial and counterpoise type) direct the signals in phase toward

(Continued on page 433)

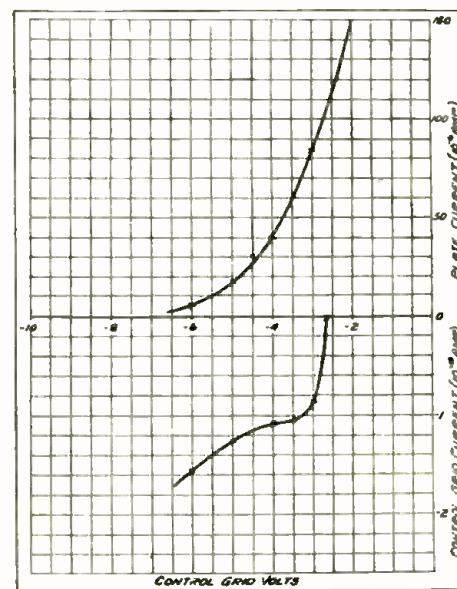
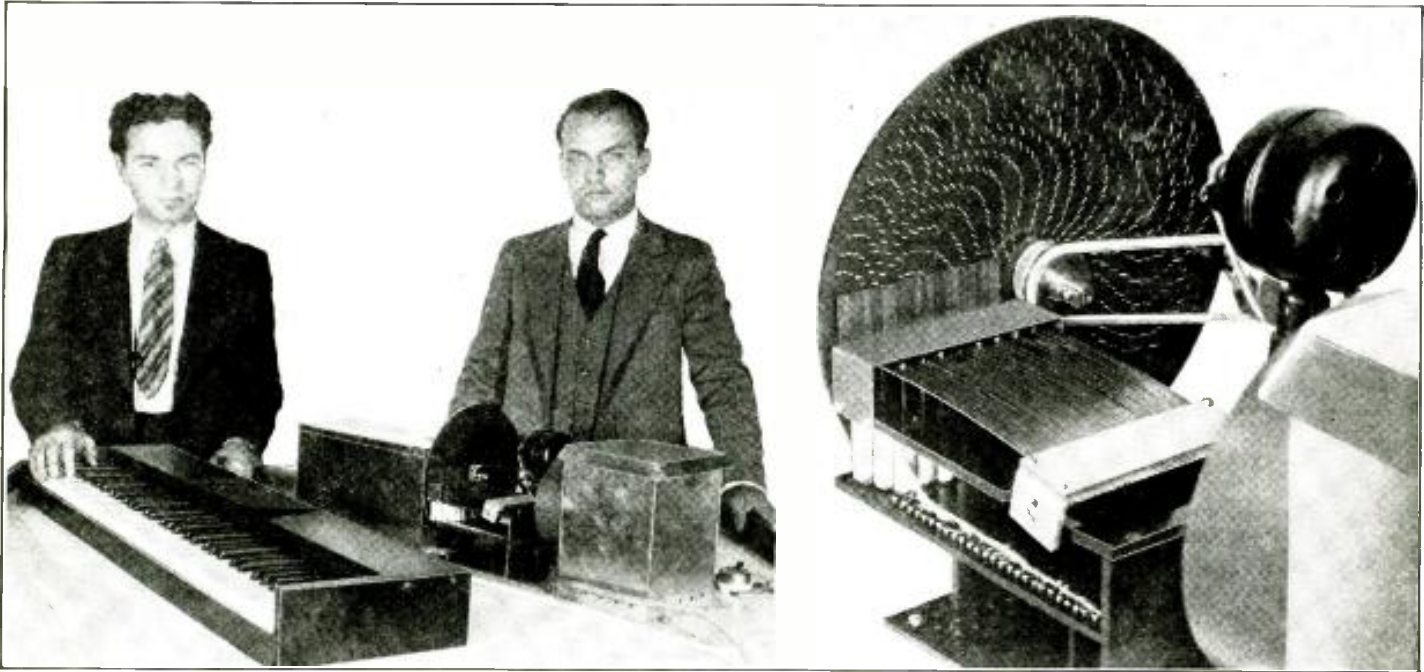


Fig. 3

The plate current (above) and grid current (below) of the "FP-54" low-grid-current tube are here plotted against each other. The two scales are calibrated, one in microamperes, and the other in billionths of a microampere.



Mr. Lesti, left, and Mr. Leo O. Tiedemann, right, with the keyboard and the electrical sound-equipment of the former's versatile invention. The mechanism is shown at the right, with the revolving pitch disc toward the reader; and the electromagnetic shutters beneath.

## The Radio Organ of a Trillion Tones

By ARNOLD LESTI

**T**HERE is a fundamental difference between musical instruments and reproducers of sound. The phonograph, radio, and talking pictures are all reproducers, and are distinguished from musical instruments which originate musical values.

Sound is a sensation produced by waves of air beating upon the organs of hearing. These sound waves originate in a vibrating body and in musical instruments the object is to control the manner of vibration of this vibrating body in such a manner as to obtain any desired sound. Ordinary musical instruments are limited in the range

of tone quality or "timbre" obtainable from them; they are also limited in the range of pitch and volume of sound delivered. An ideal musical instrument is one which is not limited in these respects.

The musical instrument described herein attempts to approximate this ideal. It is an application of the same principles which are making possible the talking pictures and radio.

Musical sounds exhibit "periodicity" when analyzed, and this characteristic distinguishes them from noises. Regardless of how complicated a sound-wave form may be, if the pressure is a periodic function of the

time it will be musical. Tone quality is determined by the form of the wave, and the pitch by the frequency of its occurrence. In ordinary musical instruments, the pitch is usually easily regulated; but timbre or tone quality can be controlled only to a very limited degree for a given instrument.

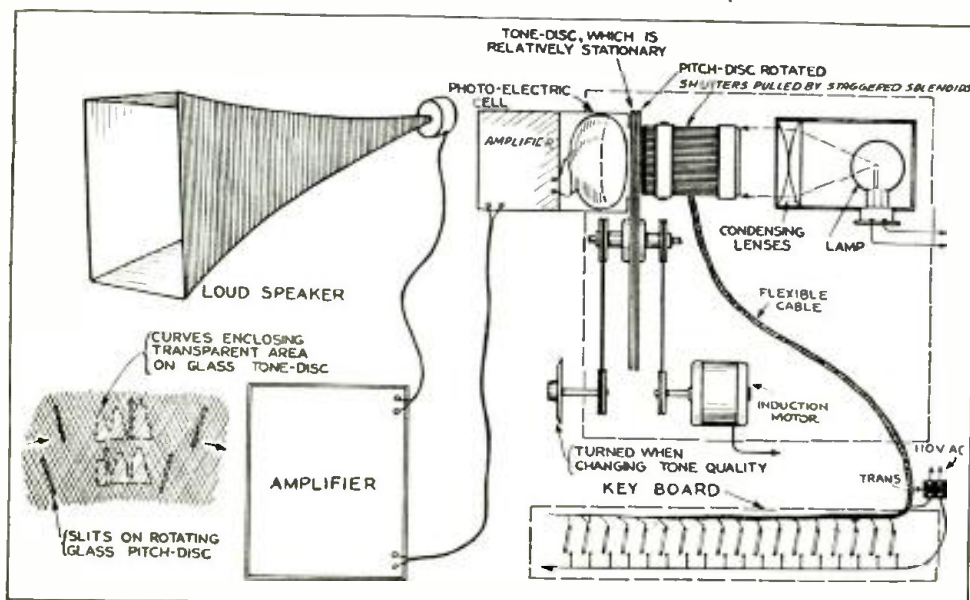
The new musical instrument illustrated here may be made to give tones similar to those of a horn, clarinet, violin, oboe, the human voice, etc.; or even any arbitrary sounds which no known musical instrument can deliver. It utilizes a keyboard, similar to those of pianos, while the quality of tone may be changed by turning a dial.

Representations of sound vibrations are impressed photographically on a glass disc. Only one complete waveform, or period of vibrations, for each note is depicted; since it suffices to characterize a tone. This disc is called the "tone-disc."

Another glass disc contains photographic impressions of a large number of slits, arranged in concentric order. The ratio (of frequencies of vibration) of successive half-tones, in the "even-tempered" scale, is as the twelfth root of two is to one, or about 106 to 100. The number and arrangement of the slits is worked out to comply with this fact. This "pitch-disc," rotating continuously, intercepts the light that shines through it and sweeps it across the predetermined sound-quality representations on the "tone-disc."

The light then falls into a photo-electric cell, which translates the light values into corresponding electrical values. An amplifier raises the level of the small currents to any value desired and, finally, a loud speaker translates the amplified electrical vibrations into sound.

The keyboard controls electromagnetic shutters, which open any passage so that light can strike the desired sections of the



The essentials of the apparatus are shown schematically above; the fundamental principle is the same as that used in sound-on-film movies. The "sound track," however, in this case, is produced by the two discs, which pass light from the lamp into the photo-cell to create any possible succession of audio frequencies.



discs. Any number of notes may be operated at the same time.

The action of the instrument may be compared to that of the talking pictures. Instead of a stationary light, and moving photographic transparencies, there is employed here an arrangement of moving slits and stationary transparencies. In this manner it is possible to obtain a whole tone from the representation of one single wave, making it possible to have a great number of tones recorded in a small space. By shifting from one set of curves to another, it is possible to obtain variations of timbre.

The sound representations, or "curves," are placed in the disc arbitrarily, and need not necessarily correspond to known musical instruments; these latter tones may be included, however. With this instrument, hitherto unknown tones may be produced. Ideal waveforms, which no known musical instrument can deliver, may be placed on the tone-disc and, thus, new musical sounds may be literally created.

The accompanying illustration shows more clearly the method by which modulation of the light-stream is obtained: the waveforms visible on the tone disc, above, correspond to pure and complex notes. At A, for instance, there is a sine-wave, which may be used to give a pure note over two octaves; according as one or another of the identical forms is uncovered by the electrical shutters, which select the inner (corresponding to lower notes) or outer wave-shapes. The solid, almost rectangular area at B, when scanned by the slits of the pitch disc, gives a clear tone like that of a clarinet. These forms, worked out by mathematical calculations, are very like those which are recorded in moving-picture sound tracks. It is impossible for the photoelectric cell, amplifier and speaker to appreciate all the harmonics which may be included in an "ideal" sound curve; but within the limitations of their characteristics, they do so; and sufficiently for all musical purposes.

It will be observed that, because the waveforms are of equal width, those at the outer edge of the tone disc are scanned with greater rapidity, and therefore give a higher pitch. This would have a frequency in proportion to the distance of the scanned waveform from the center of the disc, if the transparent lines on the pitch disc were radial; but, as will be seen from the lower part of the illustration, they are modified, in such a manner that the ratios of their speeds of scanning are proportional to the twenty-six notes of the keyboard. One waveform at a time is scanned, in this model; but a very slight rotation of the disc brings up a new quality of notes.

This new musical instrument can be constructed as a substitute for expensive organs, at an insignificant fraction of their cost; or it may be assembled in the portable form for orchestras. It may be manufactured at a very low cost; for use in the average home in connection with present radio sets.

In this way, a musical instrument, far superior to a piano and considerably lower in cost, may be used with the audio-frequency channel of a radio set; so that the present investments in radio receivers may be used to greater advantage. This statement also applies to theatres which are al-

ready equipped with sound installations.

The writer has been perfecting this development over a period of some four years; and has protected it by patent applications. In its reduction to practical form, he has been assisted by Mr. Tiedemann, illustrated here with him in the pictures of the apparatus, who has among other things constructed the shutter system.

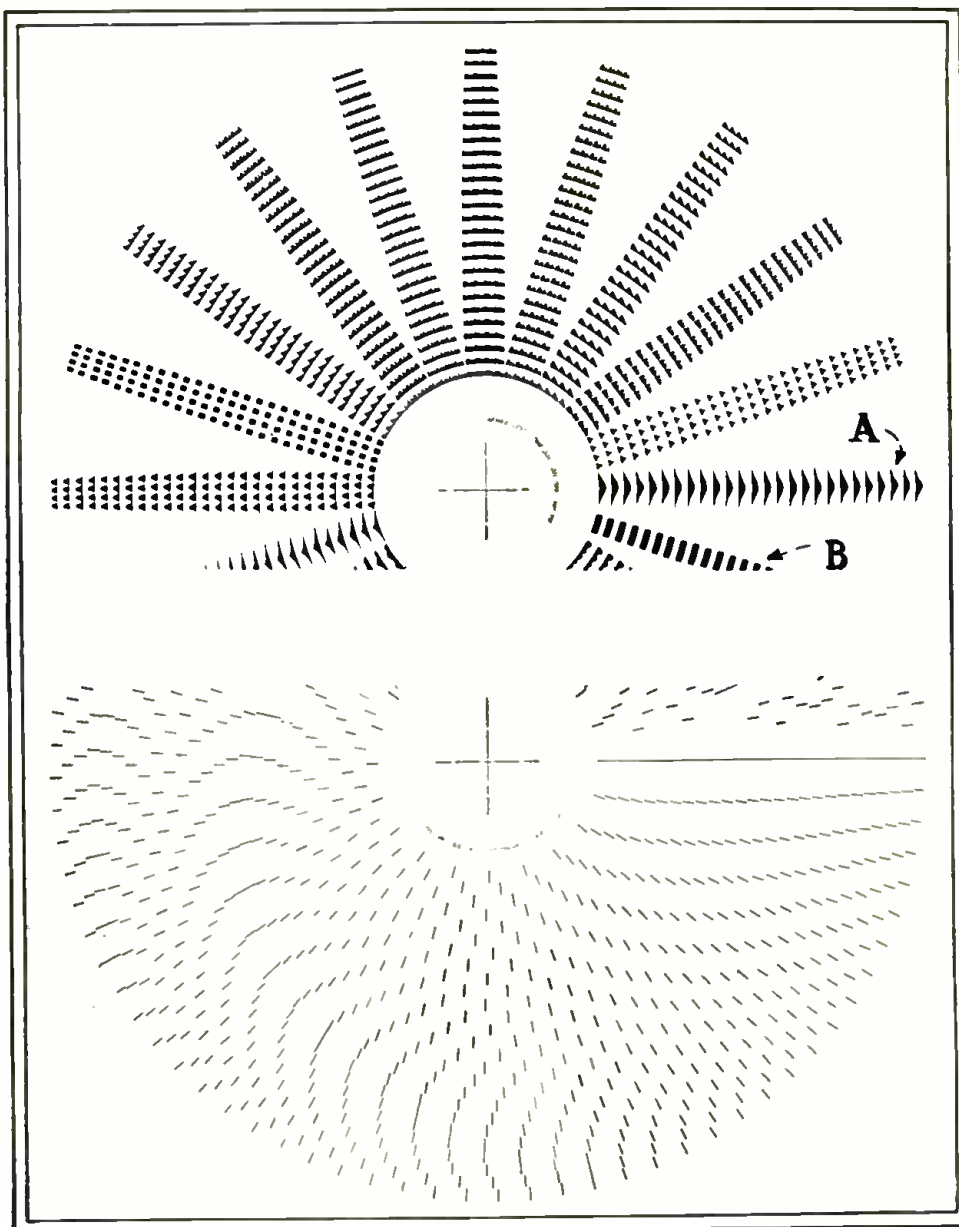
European Instruments

(The apparatus here explained by Mr. Lesti goes a step beyond the previous development of the possibilities of a radio musical instrument. The idea of using vacuum-tube oscillating circuits, electrically tuned, to deliver pure sine-wave tones directly into the amplifier of a radio transmitter, was developed by the editor of RADIO-CRAFT four years ago, with the assistance of C. J. Fitch, into an instrument, the Pianorad, by which brief "radio music" selections were broadcast over station

WRNY. The instrument, while interesting as a novelty, lacked the range and the color of a regular organ, or even piano.

The idea of an universal-range electrical instrument of music has persisted in Europe; and a Viennese architect, named Spielmann, not long ago, constructed a "photoelectric piano." In this, as in Mr. Lesti's invention, photoelectric cells and amplifier were used. The description indicates, however, that only pure notes were generated; the system comprises an axis to which are fixed twelve discs, perforated with holes, the numbers of which increase in geometrical progression. On one side of each disc were eight lamps; on the other, eight photoelectric cells. The whole seems to have formed a photoelectric equivalent of the "siren" which is familiar in acoustics. Each disc could give the same note in eight octaves: depending on the hole selected, as it

(Continued on page 430)



The light and dark areas of the two discs reproduced here have been reversed; so that the reader may better appreciate the proportions of the sound-wave forms on the "tone disc" (above). It will be seen that those along any radius are identical, and represent notes varying from the simplest (at A and B) to the most complicated. There are 26 in each row, corresponding to the keys of the instrument; and, while the wave form is the same in each case, the rapidity with which it is scanned by the corresponding slots of the "pitch disc" (below) gives higher or lower frequencies. All these have been designed by elaborate mathematical calculations.

# New Radio Devices for Shop and Home

In this department are reviewed commercial products of most recent interest. Manufacturers are requested to submit descriptions of forthcoming developments.

## "GEN-WIN" TONE-CONTROL ADAPTER

IT is a relatively simple matter for the Service Man to build a tone control into most of the older radio sets. But incorporating this modern "necessity" into a receiver, whose chassis is of later design, may be not always convenient. In service work, one of the most important requisites is speed; and this precludes consideration of any structural change involving more than a modicum of time.

For this reason alone, the "tone-control adapter" recommends itself to every Service Man who is wide-awake to the various possibilities for increasing the revenue obtainable from each of his service calls. It is but the work of a minute to attach a tone-control unit of the adapter type, and often will produce astonishing results in the way of more satisfactory reproduction.

The unit of Fig. A, a product of the General Winding Company, is representative of the type of control used by most manufacturers of receivers; *viz.*, a fixed condenser and a variable resistor connected in series. One lead of the instrument is an end of the resistor; and the other, a condenser lead. The resistor has a range from zero to  $1\frac{1}{4}$  meg.; while the condenser has a capacity of .0075-mf.

Through the use of perforated bakelite discs, this device is conveniently attached to any radio set; the procedure is to remove the power tubes, place the discs over the UX sockets, and replace the tubes. Thus the grid prongs of the power tubes, in passing through the grid holes in the discs, are automatically connected, by two leads, in shunt with the tone control.

Of course, a little variation in the connection is necessary when only one power tube is used in the set. In such a case, only one disc is used to connect to the tube's grid; the other is clipped off, and the wire lead electrically grounded to the chassis or filament circuit.

Then, the adapter is placed wherever most convenient; a 4-foot length of twisted, flexible wire being provided for the purpose. A neat, brown-finish metal case, about  $\frac{1}{2}$  in. in diameter and  $\frac{1}{4}$  in. high, encloses the

components; its exterior appearance is completed by a white celluloid plate, with the scale of positions—"Brilliant," "Bright," "Mellow," and "Deep"—underneath the control knob.

## UNIQUE SET ANALYZER INCORPORATES TWENTY-FIVE TESTING INSTRUMENTS IN ONE

By H. G. Cisin, M.E.



Fig. B

A light, but complete set analyzer which gives all readings with a single meter.

SERVICE MEN all realize the necessity for simplicity in radio testing equipment, although as a rule, this is a point very often overlooked by the manufacturers of such devices. The exception to the rule however, is the Supreme "Set Analyzer, Model 90," which is one of the simplest and most efficient instruments of its kind, ever built. This unit is pictured in Fig. A.

Through the means explained below, it has been found possible to employ a single meter to measure both A.C. and D.C. Another handy feature is the use of a small knob located directly below the meter, which turns a scale selector switch. To facilitate meter reading, the instrument is graduated in two scales, 0-9 and 0-3; this minimizes the chance of making an error while reading the scale. In order to change the scale, the selector knob is rotated to the scale desired. There are six ranges on the selector—900, 300, 90, 30, 9, and 3. The scale selector switch controls both voltage and current ranges.

All voltage readings, both A.C. and D.C., are available in the following ranges: 0-3, 0-9, 0-30, 0-90, 0-300, 0-900. A.C. voltages are measured at 1000 ohms per volt. All current readings, both A.C. and D.C., are in milliamperes in ranges as follows: 0-3, 0-9, 0-30, 0-90, 0-300. All voltage and current ranges are available through the insulated pin jacks on the face of the instrument panel.

For external use, twenty-two distinct ranges can be obtained. In getting these, only three external connections are utilized; these are made through the three pin jacks located at the lower left of the instrument panel, and marked "Ext. Connections."

The toggle switch at the right of the scale selector, marked "UX" on one side and "Heater" on the other, is left in the "UX" position when analyzing from sockets which do not utilize cathode-emitter tubes. For all cathode-emitter tubes, including "top heater" tubes, the switch is closed to the "Heater" position, which separates the cathode connection from the heater, and prevents the possibility of short-circuiting the cathode bias. Under the UX socket at the upper right is a pin jack, for making a connection to the control grid of either a pentode or a screen-grid tube; the jack under the UY socket is used for connecting to the space-charge grid of the pentode. The fact, that facilities are provided for making pentode analyses, is evidence of the advanced design of this set analyzer.

Although operation of the "Model 90" has been simplified to the highest degree, accomplishment of this simplicity has been a matter of overcoming many technical obstacles to this design. Reference to the schematic circuit of this unit, Fig. 1, will indicate this.

The idea of using a D.C. meter movement with a suitable rectifier for measuring A.C. has been accomplished in a simple manner, and without the usual bulky rectifier equipment, through the use of a very small and efficient copper-oxide rectifier developed by the engineers of the General Electric Company; the circuit of this dry-disc rectifier

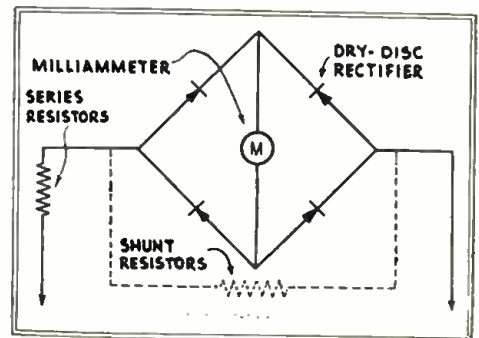


Fig. 2

The bridge adjustment shunt utilizes the D.C. meter for reading A.C. voltages, which are rectified in their passage through the rectifier discs, which pass current only one way.

is shown in Fig. 2. Correction of the reading to indicate the usual R.M.S. value of A.C. potentials is taken care of automatically on the scale. The turn of a toggle switch automatically throws the rectifier in or out of circuit.

No reversing switch is necessary with the "Model 90," since the meter reads independently of the applied voltage's polarity; however, the two pin jacks, marked "Pos." and "Neg." "Polarity," which may be noted on either side of the scale selector, can be

(Continued on page 425)

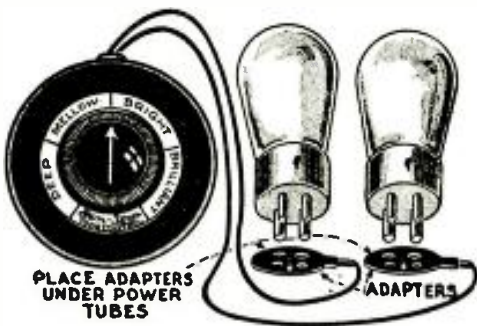


Fig. A

The tone-control adapter shown is applicable to any set; the two discs simply slip over the prongs of the push-pull tubes. With but one power tube, one disc is cut off and the lead grounded.



# Making Your "Mike" for Home Recording

By MICHAEL BLAN\*

**A**N inexpensive hand-microphone, for home-recording and novelty experiments, may be easily made from a few pieces of cigar-box wood, a diaphragm, a strip of sheet metal, a small piece

of the preceding issue of RADIO-CRAFT; it will be recalled that a microphone is a very necessary part of the equipment. And, since not every set owner is in a position to make the purchase of an expensive unit,

One "Skinderviken" microphone button;  
 One Fada (or equivalent) shield can;  
 One telephone mouthpiece;  
 One diaphragm (see below);  
 One piece of metal strip,  $\frac{1}{2} \times 5\frac{1}{4} \times 1/16$ -in.;  
 Six small pieces of cloth (see below);  
 Four pieces of cigar-box wood,  $4 \times 9 \times 1/16$ -in.

Four nickel machine-screws,  $\frac{1}{2}$ -in. long and 6-32 thread; four nickel 6-32 hex. nuts, and two 6-32 battery nuts.

Now that all the parts have been collected (What's that? Where can you get a diaphragm? Well, just wait a few minutes and you will find out just where you may be able to locate one.) let's make the wooden frame. After all, the exact dimensions of this will vary with the particular size of diaphragm and shield can available in each instance. The dimensions given are for the specified equipment, which was used for the instrument illustrated here.

Use about two pieces of the cigar-box wood for most of the frame, (as shown in Fig. 1A) and build up a handle of four thicknesses. Glue, and means of clamping the pieces, will be required, of course. The general appearance of the wood, before being cut to shape, is indicated in the dotted outline of Fig. 1B; while the dimensions of the completed frame are given in Fig. 1C.

It will be necessary to bore a hole,  $\frac{7}{8}$ -in. in diameter, to receive the mouthpiece. Two holes will be needed for the strip-mounting screws, and two more for the shield-can mounting screws. The original dimensions

(Continued on page 440)

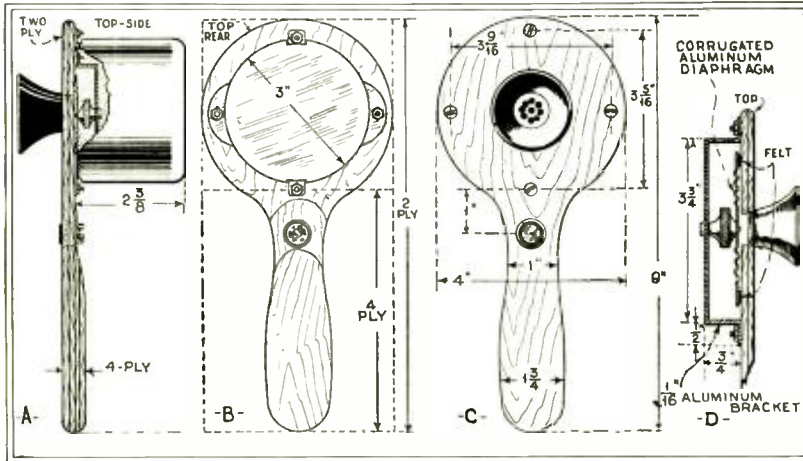


Fig. 1

The various stages of making the "mike" are shown clearly in this illustration.

of "suiting," a telephone mouthpiece, and a "microphone button." A push button, too will be useful.

The general principles of home-recording have been covered in considerable detail in

the constructional details of one which is very easy for the experimenter to build are shown in the accompanying illustrations.

Before starting the construction of this "hand-mike," dig through the "miscellaneous" box for the following items:

One pearl push-button;

\* President, *Blan the Radio Man, Inc.*

# Watching the Wheels Go 'Round

By LEO BRAMS

**F**OR several years the writer has made a specialty of designing and constructing odd and unique arrangements of radio apparatus. One which attracted considerable attention, and favorable comment on the placement of the parts, is pictured in these columns.

The receiver chassis was an adaptation of units taken from a Karas "Equomatic" kit, housed in the upper glass cabinet which has a curved top and bottom; the curved bottom plate is of black glass. A wooden beading finishes off the base of the lower glass cabinet.

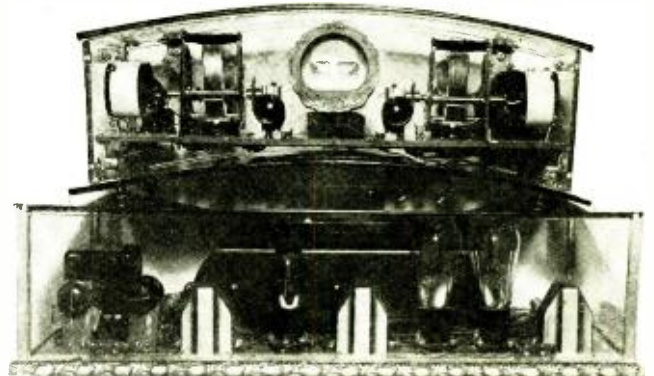
The power pack, also put in a glass cabinet, was a standard Samson "210" job that presents nothing new in circuit arrangement. The glass sections of the lower cabinet were held in place by nicked strips; but these were not conveniently adaptable to the curved sections of the upper cabinet, which required the use of little nicked angles. (The author paid quite a bit to have all the necessary holes drilled by a competent glass-working house.)

The beauty of an arrangement such as this is difficult to picture; while its novelty as a display is always a pleasing and effective way of attracting attention to a window trim. This manner of presenting a favored circuit design is sure to be a profitable one. Thus, little details of arrange-

ment and connection may be pointed out to the custom set builder's radio prospects.

Radio sets built by the writer, along such novel constructional lines as these, have won many awards at radio shows. And this tip should be equally as profitable to other radio men.

*The mysteries of the radio sets are exposed in this glass-cased receiver, built by a constructor of considerable ingenuity. A well-known standard circuit was utilized; but the glass and nicked fittings were cut to order, so that the expense was not low. Still, this novelty attracted much comment wherever exhibited.*



# The Midget Receivers--Inside and Out

*The demand for a small, but efficient radio receiver, modern throughout, but occupying small space as, for instance, on a mantelpiece, has led to the production of many interesting designs. Eight of the latest are shown.*

**F**EW things are more inharmonious than a big console radio receiver in a small room; regardless of how tastefully or artistically the set has been decorated or camouflaged. But, until the advent of the "midget," or "mantelpiece," style in radio sets, it was difficult to find a substitute for the big set in the little room.

These little radio receivers, with big possibilities, are the acme of ease in servicing. The average dimensions are exemplified in these of the Pilot midget illustrated below; which measures 17 inches in length, 8½ in. in depth, and 17½ in. high, overall.

It is but the work of a moment to remove the chassis of a midget set, to reach for the "works" for testing, or replacement of parts. In fact, it is no trick at all to pick up the entire machine and take it to the service station for the more extensive repairs which may be occasionally necessary.

While all radio sets are designed and manufactured with the theoretical premise that they will not need to be serviced, for faults in the receiver, nevertheless it is not unusual for any of the faults of the big

requirements from the power-pack, there is an increase in the "factor of safety," and, according to the law of averages, there should be less chance for defects to develop, in consequence of the lesser number of parts involved.

In the November, 1930, issue of RADIO-CRAFT, the Crosley, "Model 54 — New Buddy," the Jackson-Bell "Model 62," and

### The Pilot "Midget"

This receiver, a product of the Pilot Radio and Tube Corp., is one of the best-sounding small radio sets it has been the writer's pleasure to hear. Its diminutive size is achieved by clever arrangement of standard components, and by restricting the circuit requirements to five tubes. Its un-

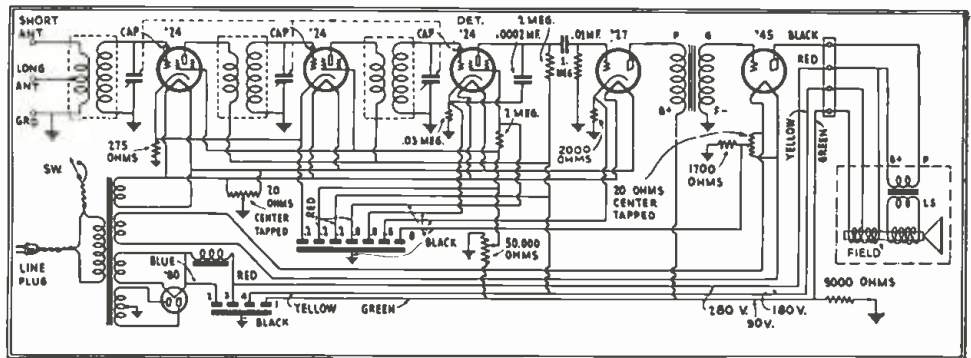


Fig. 1

The circuit of the efficient new Pilot "Midget Set."

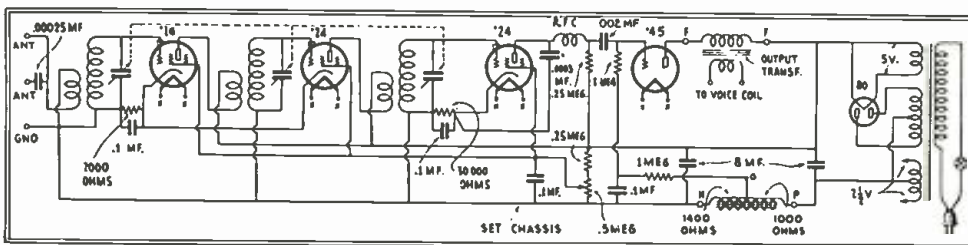


Fig. 2

Schematic circuit of the McIvorad "Cathedral Tone" midget receiver.

brothers to arise as well in the smaller member of the radio set family. However, with the lesser number of tubes, and lowered

the Simplex, "Model H," were described and illustrated. Here eight other new "midget" receivers are shown, with full data.

distorted power output is quite sufficient for good reception in a room of rather large size. High quality reproduction, throughout the entire audio range, has been obtained by exceptionally careful design of the entire audio system, with due regard for the small dimensions of the baffle afforded by a midget cabinet. It is not enough merely to state that the bass notes are reproduced very well; for it is a fact that the low notes are reproduced without recourse to barrel-resonance, which causes a fictitious low-note response.

A point of particular importance is the design of the receiver, from the standpoint

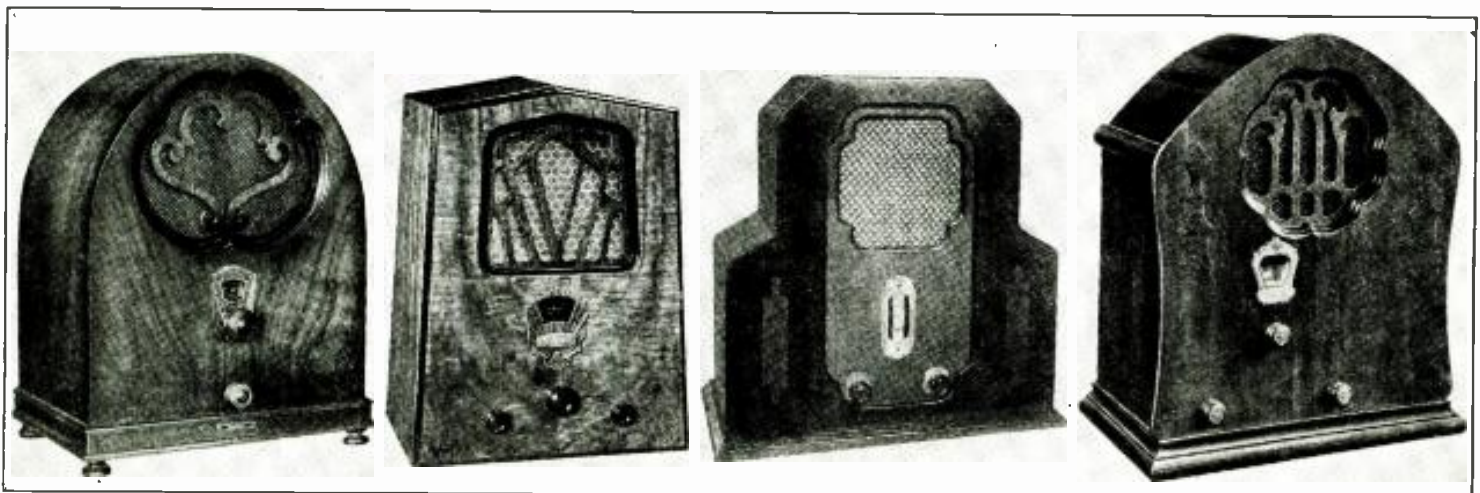


Fig. A

From left to right, the following midget receivers are illustrated above: The "Radiette Model 14"; Pierce-Airo, "DeWald Model .1C-524"; "Pilot Midget Set"; T.C.A., "Clarion, Jr. Model 60."





Fig. B

From left to right, following are the mantel or midget radio sets shown in this illustration: "Master, Model 424"; "Jesse French, Jr., Model G"; "Remler Camco, Model 14"; "Melorad, Cathedral Tone."

of service. The chassis is easily removable, and continues to play when removed from the cabinet. Fig. 1 gives circuit details.

**Melorad "Cathedral Tone"**

A simple circuit, comprising two stages of tuned R.F., using type '24 tubes, feeding into a type '24 detector, which is in turn resistance-capacity coupled to the type '45 power tube, is used in the Melorad "Cathedral Tone" receiver, sponsored by Federated Purchaser. The diagram of connections is reproduced in Fig. 2.

**Master Radio Receiver**

Another manufacturer of midget radio sets incorporates tone control in a direct-coupled audio amplifier; so that the detector feeds directly into the power amplifier without the introduction of a coupling condenser or transformer. The circuit of this set, the "Model 424" receiver made by the Master Radio Mfg. Co., Ltd., Los Angeles, Calif., is shown in Fig. 4.

The technical details are as follows: R (volume control), 6,050 ohms; R1, 500; R2, R8, 50,000; R3, 425; R4 (hum control) 200;

The condensers have the following values: C, 350 mmf.; (C1, trimmer condenser); C2, C4, 0.1-mf.; C3, .002-mf.; C5, 0.5-mf.; C6, C7, 1.0 mf. (600 V.); C8, C9, 2 mf. (1,000 V.); Condensers C4, C5, C6, C7, C8, C9 are in filter bank. In some cases it is necessary to use .004-mf. for C3, to overcome feedback from the R.F. stages.

Coil L consists of 300 turns of wire on a bobbin, and secondary L2 of 133 turns. The remaining three R.F. transformers have 45-turn primaries and 120-turn secondaries.

In some of the sets of this model, the "tone selector" is not connected as shown in Fig. 4 but, instead, to the plate of the '45. The fixed .002-mf. condenser remains connected to the plate of the '45; but the tone selector capacity in parallel with it is increased to 1/4-mf., and the variable resistor, with one side grounded, then has a maximum value of 15,000 ohms. The grid of the '45 now must be by-passed to ground by a fixed condenser of 50 mmf. Accurate replacement parts must be used in servicing this set.

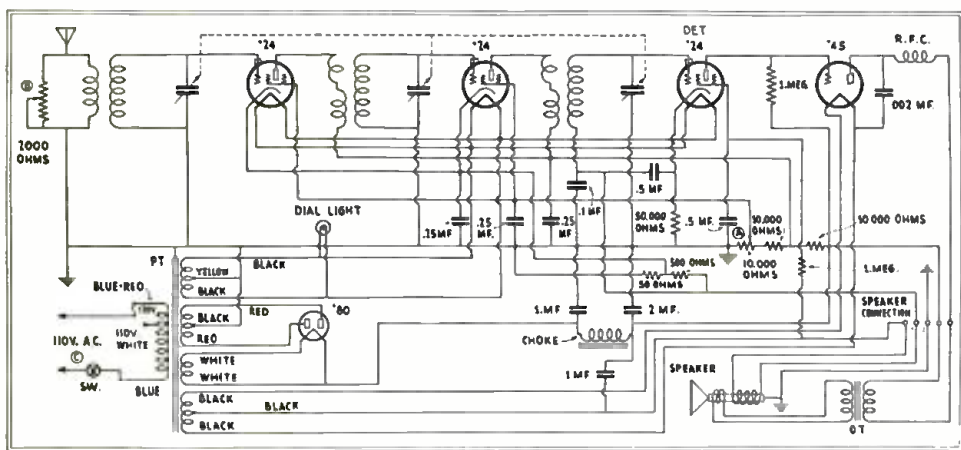


Fig. 3

Circuit of the "Model G, Jesse French, Jr.," direct coupled set.

The field coil of the dynamic reproducer is the only choke in the filter system, and serves to smooth the voltage obtainable from the power unit.

**Jesse French, Jr.**

One of the first radio sets to introduce direct coupling in the audio amplifier system is the Junior "Model G" receiver, sold by the Jesse French & Son Piano Co., and illustrated in Fig. 3.

Three screen-grid tubes are used, the last being the detector. The detector output is sufficient to drive the type '45 power tube, with considerable grid-bias swing. By the use of direct coupling, it has been possible to conserve part of the space which would be taken by an input transformer. Still, an output transformer (OT) is required, to couple the dynamic reproducer to the power tube's output circuit. Units A, B, C are controlled by a single knob

R5, 1584; R6, 1,800; R7, 2515; R9, 100,000; R10, R11, 500,000 (tone selector). The voltage divider comprises R3, R5, R6, R7,

**Clarion, Jr. Midget**

This set manufactured by the Transformer Corp. of America, is also in the "5-tube" class, but the circuit arrangement results in somewhat different performance from that of the average small-space radio sets. Two stages of screen-grid amplification (See Fig. 5) are followed by a screen-grid detector, the cathode circuit of which is provided with a switch for cutting into circuit a phonograph pick-up. The output of the

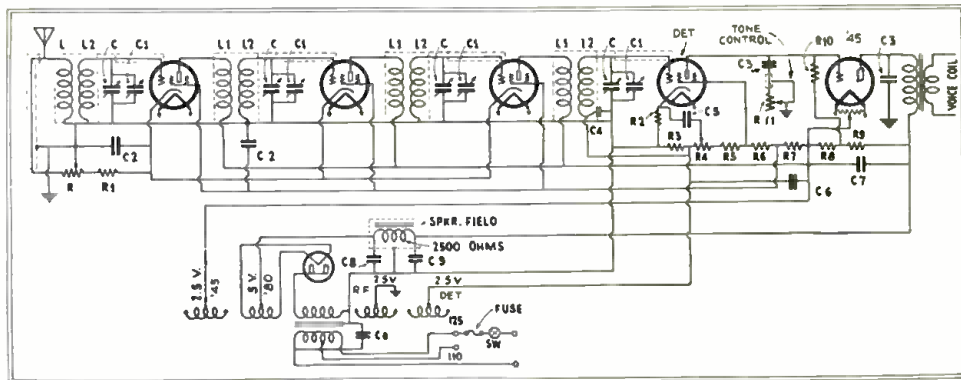


Fig. 4

The Master "Model 424" midget set has direct audio coupling, screen-grid tubes, hum balancer, and tone control. All midget circuits shown have gauged condensers.

detector is transformer-coupled to the power stage, two type-'45 tubes in push-pull; while their output is transformer-coupled to a dynamic reproducer. Tone control is provided in the grid circuit of these two tubes, and controlled by an off-on switch.

Pierce-Airo "DeWald"

A midget product of Pierce-Airo, Inc., is the "DeWald Model AC-524" receiver shown in Fig. 6. This circuit is practically identical with that of the "Melorad" described above; however, in the former receiver, volume control is obtained by varying the screen-grid voltage, while the "DeWald" varies the signal input to the first R.F. transformer.

"Radiette Model 14F"

Although the "Radiette Model 14 F" midget receiver, manufactured by Keller-Fuller Mfg. Co., Ltd., provides screen-grid R.F. tubes, like most of the midget sets, the circuit (Fig. 7) contains several interesting features.

Fig. 7

(Below) The band-selector, "Radiette, Model 14F" receiver diagram.

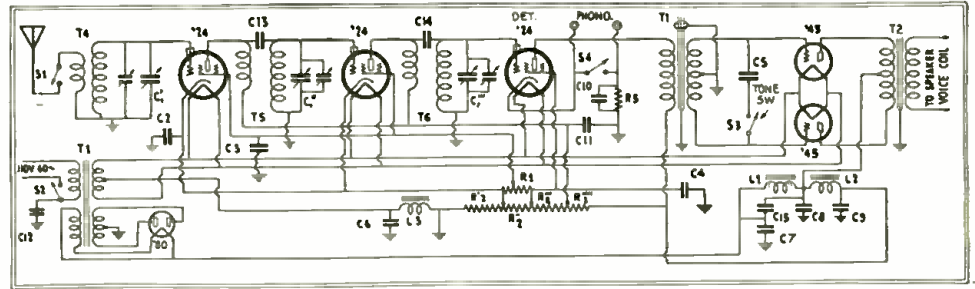
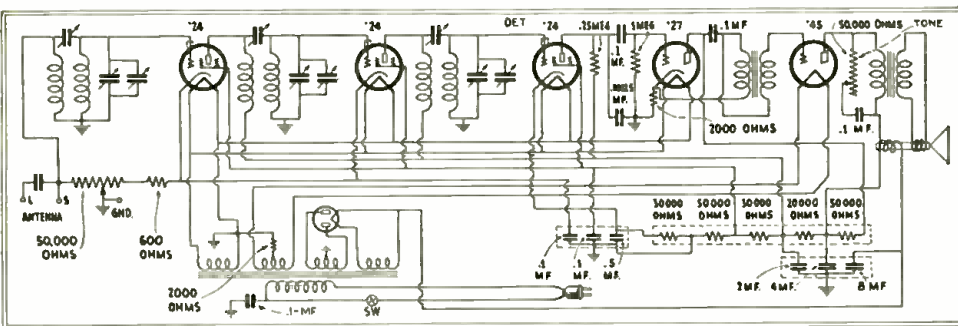
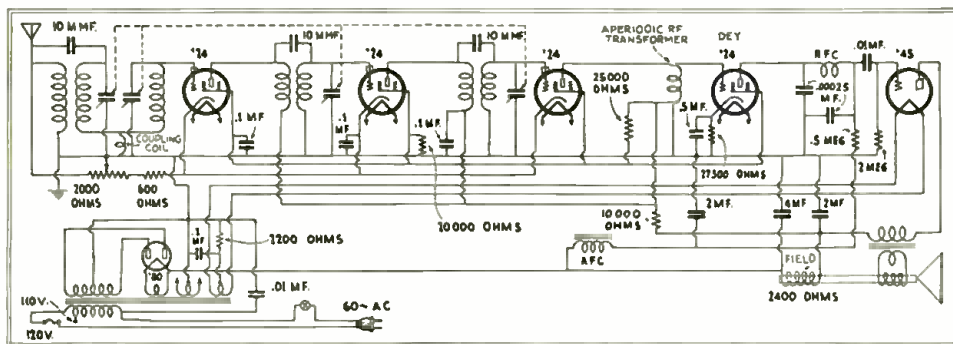


Fig. 5

(Above) Diagram of the phonograph-adaptor, "Clarion, Jr., Model 60," receiver,

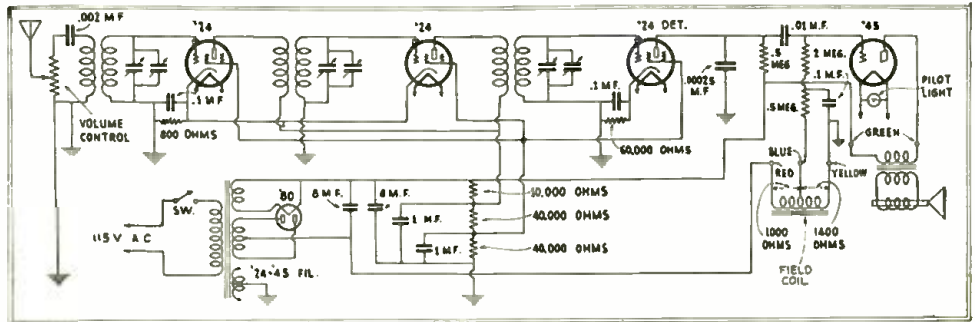


Fig. 6

(Above) The Pierce-Airo "DeWald" circuit.

For instance, the first screen-grid tube is preceded by a band-selector; there is a little coil furnishing inductively the required coupling between the two tuned circuits of this unit. The detector is coupled to the preceding tube, an R.F. amplifier, through an aperiodic R.F. transformer, untuned by a variable condenser; and its output is resistance-capacity coupled to the power tube. The volume control varies the control-grid bias. The small 10-mmf. condensers in the R.F. circuit are included to improve the response at the high-frequency end of the tuning scale.

Remler "Cameo"

A compact midget set, incorporating the transformer-coupled audio amplification, and tone control, is the Remler "Cameo Model 14" receiver offered by Remler Division, Gray & Danielson Mfg. Co., and shown in diagram form in Fig. 8.

(Continued on page 440)

Fig. 8

(Left) The tone-control, "Remler Cameo, Model 14," midget receiver circuit diagram.

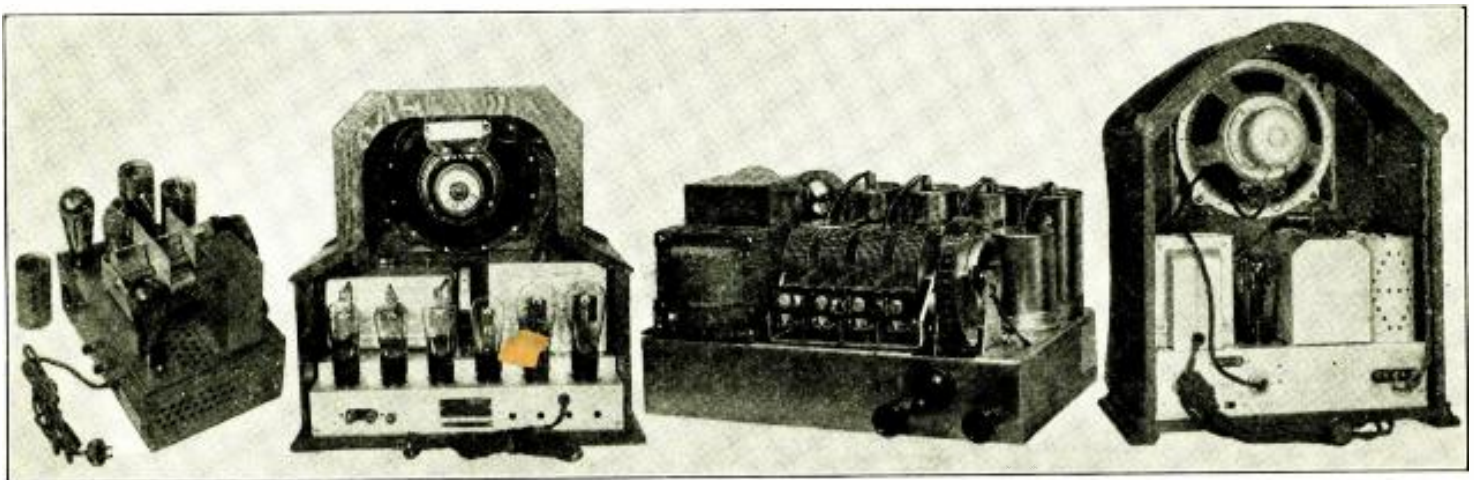


Fig. C

The astonishingly compact, but effective, assembly of "midget sets" is illustrated in these pictures of the following commercial receivers: (left to right) "Jesse French, Jr. Model G"; "Pilot Midget"; "Master, Model 424"; "Clarion, Jr., Model 60."

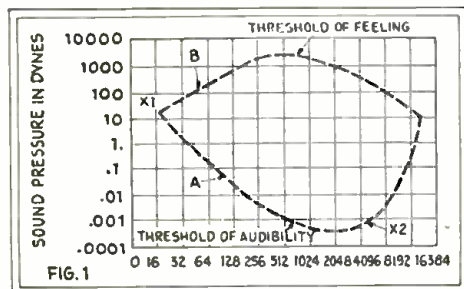


# Tone-Control Design for Your Radio Set

*And an Opinion on True and False Values in Sound Reproduction*

By C. H. W. NASON

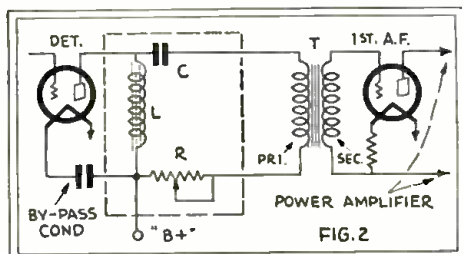
IT has not been uncommon practice in radio, at least until a short time ago, to meet deficiencies in some particular unit by a compensating effect in another; lack of low-frequency response in an audio amplifier by the use of dynamic reproducers having a pronounced resonance in the low-frequency register.



The upper curve gives the highest values of sound which can be borne; the lower, the lowest which can be heard. Middle tones are easiest heard; but there are great differences in individual hearing, at both ends of the scale.

With the improvement in low-frequency response which followed, some manufacturers retained the resonated speakers—and a pronounced “boom-boom” was the result. To some ears the effect is pleasing, but to others it is anathema. Although some manufacturers still pursue this course, others have maintained the logical idea: that radio apparatus should achieve a rendition which is as faithful to the original as technically possible. But this year brought “tone control,” and the idea of the “most pleasing effect” returned. Now, tone control may be achieved in some forty odd ways and, to misquote Kipling, “all but one of them are wrong.”

A mellow effect may be produced by employing a block of fixed condensers in the audio-frequency circuit, thus cutting off the higher frequencies in a varying degree. Since these very “highs” are conspicuous by their absence in nearly all receivers, this method of attack is fatal to quality, although it produces an effect quite pleasing to some ears. I do not know of one trained musician who would condescend to listen

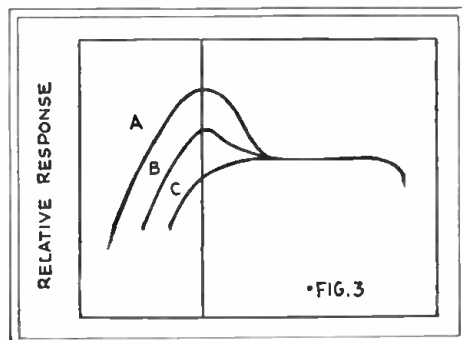


Since the transformer T has a natural resonance, inserting a parallel unit (as shown in dotted lines) permits this to be overcome, and quality given its most natural character. The author prefers this.

to such a receiver while the control was in the “mellow” position.

In these systems, the control knob has some three or four positions graduated from “brilliant” to “mellow.” Considering that the “brilliant” position is already lacking in the high frequencies, which are necessary to the proper reproduction of the sibilants in speech and the overtones of orchestral instruments, it is hard to find an excuse for still further ruining the delineation.

The frequencies known to human hearing range from 15 cycles to 17,000 cycles. Restriction of this range, from the given figures to between 30 and 10,000 cycles, will have no noticeable effect upon the reproduction. In order to effect savings in the width of band occupied, and to remove ground noise (which is mostly high-frequency in character), the restriction may be carried still further down to 7,000 cycles, where direct comparison, with the original, is necessary to judge the difference. Requirements of the Federal Radio Commission necessitate the further restriction of the higher broadcast frequencies to an upper limit of 5,000 cycles.



Resonance of the transformer exaggerates the response of low notes, as at A. As resistance is cut in (at R Fig. 2) tones become more natural, between curves B and C.

It is self-evident that the chain, from microphone to loud speaker, should be so perfect as to amount to a clear channel from one to the other. There is, however, one condition where “tone control” is necessary: the correct reproduction of the original; if the output of the reproducer is to be adjusted to some volume level other than that of the original, a re-proportioning as to frequency response will be necessary.

### Don't Believe Your Ears

Fig. 1 is a well-known diagram of the response of the human ear at various frequencies. (This graph is taken from “Speech and Hearing,” by Dr. Harvey Fletcher, of the Bell Laboratories, who is one of the great authorities on sound.) For our purpose, we will refer to the lower curve (A) which indicates the absolute mechanical power of a sound wave necessary to produce a perceptible effect upon the human ear. The upper curve (B)

shows the power which can be exerted before a sensation of pain is experienced. These curves represent the average of conditions found in a great number of persons, upon whom the tests were carried out. We are particularly interested in the range between 16 and 5,000 cycles; and you will note that the air pressure required to produce an audible effect at the upper end X2 is a minute fraction of that required at the lower end, X1. (It is less than one ten-thousandth, in fact; the scale of this curve is logarithmic.)

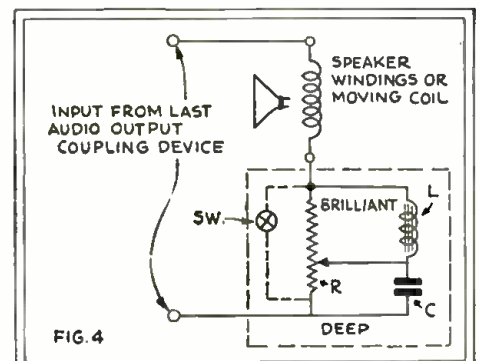
If a transmission system, of any nature, is employed to convey the efforts of a singer from one point to another; and the gain through the circuit is so adjusted that the mechanical work done by the reproducer is the same as that done by the singer at all frequencies, then natural reproduction will be attained. The apparent effect at each frequency is proportionate—not to the absolute level of the sound—but to the level above the threshold of audibility at that frequency. If the singer's voice were to include all frequencies over the entire range at an average pressure of one dyne, then all components of the original would be audible.

If, however, we desire to reproduce the program at an average level of .01-dyne, a reference to the curve will show that the frequencies from 190 cycles on down will be below the threshold of audibility, and will not be heard. In order to achieve a natural rendition it is necessary to raise the response at the low end, and thus reproduce the original in apparently true proportion above the threshold of audibility.

Conversely, if we found it desirable to reproduce the original at a higher level than normal, it would be necessary to reduce the response at the low-frequency end.

It is not enough to retain all frequencies in their correct proportions; it is essential to achieve a relationship between them such that they effect the human ear in a corresponding manner, if the illusion of life is to be retained.

(Continued on page 411)



The unit described above, applied externally to a speaker circuit, is easily made, and gives customers what they want. It is thus more desirable for the man whose interests in radio are financial, not artistic.

# Tone Controls in Commercial Radio Sets

*And methods, old and new, of applying this convenience to other models*

By R. D. WASHBURNE

THE subject of tone control recently has been brought to the attention of the public through the efforts of the engineering and sales departments of many radio concerns. A review of the methods in use may suggest to the set constructor and to the Service Man the most convenient manner in which control of the audio output quality may be arranged in particular cases.

First, let us state that *tone control* means changing the relative strength of various audible frequencies; while various other frequencies remain unchanged. This is disproportionate reduction of signal strength, as compared to *volume control*, or (nearly) proportionate reduction of signal strength. By tone control, the "timbre" or distinctive quality of an audio sound may be modified to such an extent as to mislead the listener entirely as to the true origin of the sound. For instance, to use obvious examples, a violin may be made to sound like a cello; or, a soprano voice may be made to sound like an alto, and a baritone like a bass. In each of these examples the effect is obtained by removing or reducing the proportion of high notes, or "highs." A reverse effect is obtained when the low notes, or the "lows," are removed or reduced, while the highs remain normal.

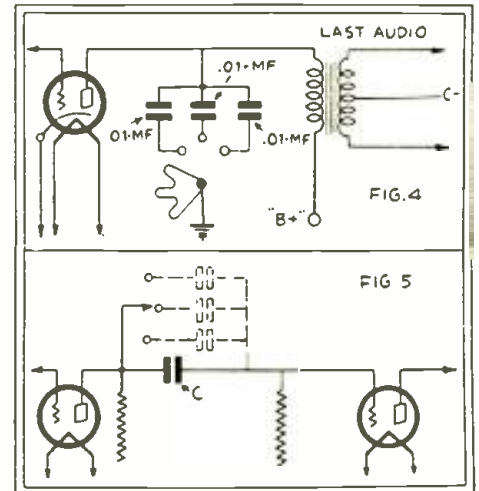
### Why Tone Control?

One of the first questions that arises, when tone control is mentioned, is whether tone control is needed. Those radio salesmen who are only moderately glib find it a bit embarrassing to present a reasonable alibi when the customer inquires: "The radio set you advertised last year was stated to have 'perfect tone.' The one you offer this year is said to have 'life-like reproduction,' combined with 'color modulation.' If the reproduction is 'life-like,' why is there any need of changing the quality?" And review of the statements by representatives of the foremost radio companies reveals a number of not necessarily obvious, yet vitally im-

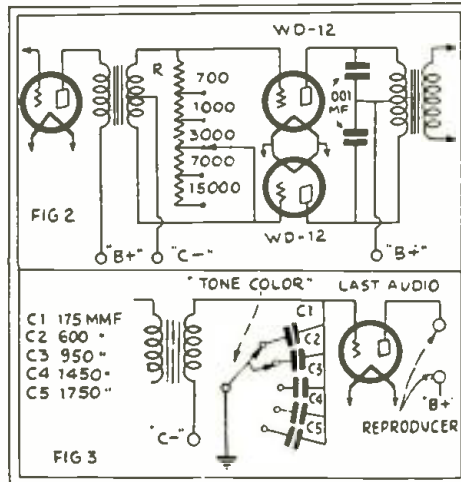
portant, reasons for control of the "perfect tone."

A musical selection played in a large hall will not sound the same when reproduced in a much smaller place—for instance, a room at home. The "acoustics," or the conditions (the amount of drapes, the type of furniture, the amount of hard surface such as glass windows, the distances of the nearest and furthest walls) which affect sound in the hall and in the room at home, differ widely. To a certain extent, a better balance between these widely differing and uncontrollable mechanical conditions may be obtained through electrical means—the "tone control" unit. (A novel way of obtaining the echo effect of a large hall sometimes may be found, when a particular program is being broadcast from both long- and short-wave stations, by using one reproducer to take the combined output of a long- and a short-wave receiver tuned to the program.)

Then again, transmissions vary widely in quality, between those of the high-power,



Above: the principle of the tone control used in many Philco models. Below: controlling the "low-frequency pass" of the coupling condenser in audio circuits using resistors or chokes in the plate and grid circuits.



Above: tone and volume control are first cousins, as this old 1922 circuit shows. Below: nine capacity changes, through single and shunt connections of the fan-switch, are possible in this "tone color" circuit of the "Synchronphase."

expensive stations, and those of low power and cost. In fact, it is possible at times to improve upon the received signals of even the best stations. There are numerous reasons, of which we will mention one or two: (a) although a "frequency run" has been made along remote-control wires and through to the output of the transmitter, it occasionally happens that a particular part of the circuit will develop a slight distortion which may go uncorrected for the balance of the program. Modification of the received signal will materially improve the reception.

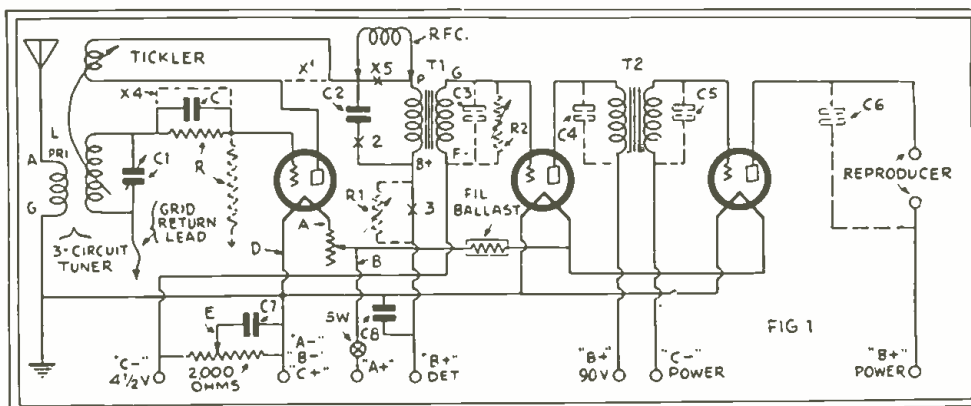
Or (b), a performer may for a moment forget his or her coaching in "microphone technique," with harrowing results; but recourse to a tone modulator renews the desire to listen.

Another factor normally beyond the control of the listener is the variation in audio quality, due to different degrees of power to the receiver input. A local station of high power comes through with a quality differing from that of the "DX" station. Modern receiver design, to a great extent, has overcome this obstacle; the older sets are greatly improved, however, by the use of a tone control in such instances.

Have you ever noticed how the "boom-boom" of bass instruments varies with each station, the hour of the day, and the particular program? In many instances a little more, or a little less, boom-boom is the listener's personal preference. A tone-control on the receiver is the means of effecting this.

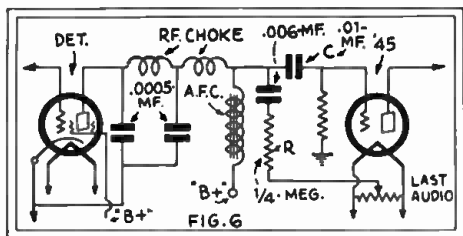
Local "static" interference is in many instances, particularly in congested districts, a rational reason for tone control. The latter makes it possible to enjoy, with but slightly less "brilliance" of reproduction, a program which otherwise would be marred by crackles and scratching sounds.

It may be well to point out here that the



A standard 3-circuit tuner: the striking appearance of this circuit is due to the numerous marks of reference, which indicate some of the many ways in which the quality of reproduction, of any standard radio set, may be modified. Shunt capacities, shunt and series resistors, and variations in grid connections and voltages are represented.





A slight modification of existing receiver components gives "tone control," as by making variable the resistor R, above.

tone control should be designed to be operative both with the radio and with the phonograph pick-up; in the latter usage, it permits needle-scratch to be controlled as the operator deems necessary. In home-recording, too, tone control is a "life-saver."

Few people realize that famous broadcasters often have a strident, sharp tone of voice (a tone that their friends do not hear in conversation and do not realize they possess); that they reserve for use on the air, knowing full well that the reproduced voice will have a richness and mellowness that is sure to charm the listener. On the other hand, the broadcaster untutored in the ways of the "mike" will talk in his normally heavy voice, only to have the listeners remark that his voice sounded "as though he were talking in a barrel." Here again, a slight modification of the audio amplification characteristic will help.

Still another point to observe is that concert music must have a tone different from that which is to accompany a dance where the throbbing tempo of the drums must be heard above the shuffle of dancing feet. A motion of the tone control toward "deep" modifies the tone to suit the special conditions.

Strange as it may seem to some people, there are thousands and thousands of listeners who seldom hear notes above a certain frequency, individually-determined, considerably below the average limits of audio reception. It is, therefore, obvious that a control which can boost the high notes to a volume level out of normal proportion will be to them a real boon. In the same breath, it may be mentioned that this auditory discrimination is sometimes found at the low end of the audio scale, instead.

This unusual characteristic in some people recalls the story of one Service Man who repeatedly reported that he had cleared the trouble of "a high-pitched whistle" reported by the customer; only to have the customer call back in a short time and say the set was tooting as merrily as ever. The Service Man simply had not heard the whistle that was so clear to others. (The solution of that problem was to send a different Service Man on future similar complaints.)

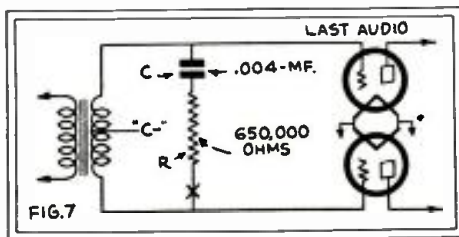
Most radio sets reproduce programs with a fidelity which varies somewhat with the setting of the volume control; to be more specific, we may point to the loss of bass notes at low volumes. A control which brings back a certain proportion of the lowest notes will be a redeeming feature for many sets, particularly the older ones.

**Examples of Tone Control**

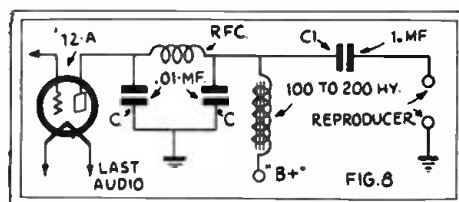
To show the numerous ways in which the tone reproduction of a radio set may be changed, Fig. 1 is presented. For the sake of argument, a three-circuit tuner has been

selected to bear the brunt of the reference; of course, this circuit may be considered as only the detector circuit of an average radio receiver, by imagining a shunt across the tickler coil at X1, and the output of an R.F. amplifier connected to the "A" and "G" posts of the primary of L.

A form of tone control is obtained by slightly detuning the receiver. The use of a feed-back or regeneration coil (tickler) is a form of tone control. Still another form of control, which might be considered inherent in the receiver, is the result of the grid-return connection of the detector. For instance, the grid return lead may be connected to any of the points lettered A, B, D, or E; the correct plate potential for each of these grid connections is secured through proper tapping of the "B" supply, or by the adjustment of a variable resistor R1 connected at X3. Another point of control, by a change in value or connections,



A switch at X cuts an existing high-frequency by-pass system in or out of circuit.



Adjusting the capacity of C1 varies the bass output—the highs remaining unchanged.

is at the grid condenser C and the grid leak R; the latter is either shunted across C, or connected to the point of grid return as shown dotted; or both grid leak and condenser may be dispensed with, as shown by the dotted shunt X4.

Other factors perhaps more conveniently accessible are an R.F. choke, as shown at X5, and a by-pass condenser C2. Varying the capacity of C2 will result in considerable tone control. This may be done in "step" fashion by means of several condensers and a fan switch; or more gradual control may be obtained by the use of a variable resistor in series with this by-pass condenser, as shown at X2.

The idea of using a shunt condenser as a tone control may be applied at a number of positions in the audio circuit. For instance, it may be shunted across a transformer primary, as shown at C2, C4; or it may be a shunt across the secondary, as indicated at C3, C5. Another favorite point is in shunt with the reproducer, or the primary of the output transformer, as shown at C6. The proper capacities will vary with each position and with the design of the equipment; average values utilized in the adaptations of various manufacturers are indicated in the illustrations. In all of the condenser positions illustrated in Fig. 1, the timbre of reproduction is controlled by tak-

ing the high notes out of the program, to a greater or less degree.

A type of control favored by the writer is a resistor in shunt with the secondary of the first A.F. transformer, as indicated at R2. (It may instead be connected across the secondary of T2, if desired.) In this position the effect of a volume control is secured; but at the same time the low notes are not reduced as rapidly as the highs, and a pleasing effect is secured because the reproduction does not become "tinney," or "thin," through lack of bass. One of the first sets to apply this connection was the old "Radiola Grand," a detail circuit of which is shown in Fig. 2.

**Fan-Switch Circuits**

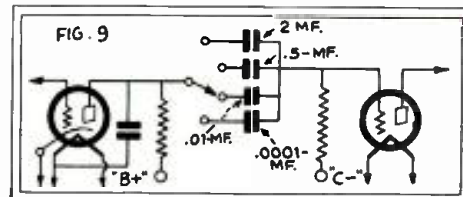
A fan-switch and fixed condensers are the components of the "tone color" control of the Grebe "Synchrophase 7," as shown in Fig. 3. A lesser number of condensers are used in a fan-switch circuit in the Philco "Model 77" and "Model 96," as illustrated in Fig. 4.

The fan-switch idea may be applied to any radio set, where the jumpy "step" control of the tone is no objection. For instance, the capacity of the coupling condenser (in a resistance-capacity coupled audio amplifier) may be varied; resulting in disproportionate transfer of the audio frequencies, and thus tone control, as shown in Fig. 5. This control method could be applied to coupling condenser C in the "Radiola 47," shown in Fig. 6; although it might be more convenient to use a higher maximum value at R, and make this adjustable.

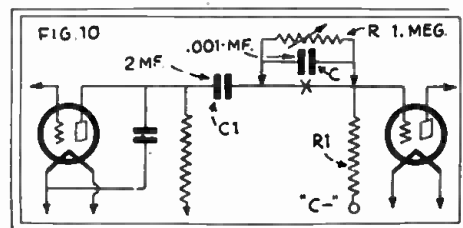
In the Brunswick "S-14" and "S-21" receiver, there is a tone-modifying connection shown in Fig. 7; by placing an off-on switch at X this may be cut in or out. The tone may be changed also by placing a two-way switch to select either of two capacities for C.

Before leaving the idea of the fan switch, it might be well to point out that non-linear graduation of audio frequency output may be obtained by changing the value of the reproducer coupling condenser, as shown for example at C1 in Fig. 8. This illustrates the output of the Delco automotive radio receiver, in which where tone control makes it convenient to match the reproduction to the small-space and noise-level conditions inside a closed car.

(Continued on page 442)



Here a selector, not a fan switch, determines by jumps the capacity value of the audio amplifier coupling condenser.



The author suggests this little unit (C, R) for gradual variation of the effective capacity of the audio coupling condenser.

# The Installation of Dynamic Reproducers

*Some helpful pointers on the conditions for good sound amplification, in auditorium and outdoor systems*

By H. G. CISIN, M.E.

**S**ELECTING the best amplifier and the most suitable type of reproducer for a particular installation is not everything.

Installation engineers occasionally fail to make permanent and secure electrical connections and mechanical mounting. Very often, loose mounting screws may cause a rattling noise difficult to locate.

Where the dynamic reproducer is used indoors, the materials of the walls, ceiling, etc., have a distinct bearing on the results obtained. The size and shape of the room, the curvature of the ceiling, the type of seats employed, the use of draperies and carpets—all these considerations affect the acoustical properties of an interior. Experience has demonstrated that reverberation increases very rapidly, the larger the room. The use of upholstered seats will increase the amount of effective absorbent surface and hence help to reduce the reverberation. In a large motion-picture theatre, reproduction is likely to be carried on at such a high level of volume that more absorbent material will be necessary to prevent undue overlapping of words or syllables. Where reverberation is present in the recording, this also is added to the reverberation present in the theatre.

The shape and curvature of the interior are also responsible for many bad cases of echoes. It is then necessary to provide acoustical treatment, using draperies, special felt or asbestos. One satisfactory method of acoustical treatment is illustrated in Fig. 1.

### Eliminating Echoes

It is generally conceded that for best results, absorbent treatment should not be applied in the immediate vicinity of the source of sound. Sound reflected from the



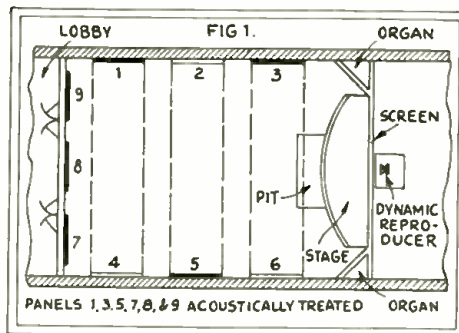
Fig. B

The installation of dynamics with directional horns at Fairfax Airport, Kansas City, Mo.

stage walls, near the speaker, serves the useful purpose of reinforcing the direct sound of the voice, without necessarily adding to the reverberant sound which causes the acoustical difficulty. For this reason, it is not advisable to use acoustical treatment on the stage walls, either at the rear of the stage or on the sides.

In reducing reverberation, it has also been found that absorbent treatment under balconies is not as efficient as the same amount of material applied on ceilings or walls above the balcony. This leaves the wall and ceiling surfaces of the main room as the best places for the application of the acoustical treatment.

In general, if there is no balcony, the material (felt or asbestos) should be applied upon available areas of rear wall, higher than the head level of the audience; if there is a balcony, on available areas of the rear wall higher than the head level of



The numbered heavy lines represent absorbent panels on a theatre's walls; shown more clearly in Fig. 3.

the balcony audience. Treatment should be applied on the side walls and ceiling first at the rear (opposite the screen) and then forward as far as needed to get the total amount of treatment required.

Various methods of applying the acoustical treatment suggest themselves. The nature of the space where material is to be applied must be considered. Different types of interiors require different methods of application. Usually the wall or ceiling is of wood, tile, brick, concrete, sheet steel, plaster or composition.

On all walls that permit tacking or nailing, it is recommended that materials such as felt be mounted direct to the available space. This is illustrated in Fig. 2. Furring strips can be used to hold it in place. In order to make an installation of this sort more decorative, the felt may be placed in panels, using an attractive molding around the margin as a frame. Decorative "theatrical gauze" is often used, mounted in a frame as shown in Fig. 3.

On walls which do not permit the use of nails or tacks, a good waterproof cement



Fig. A

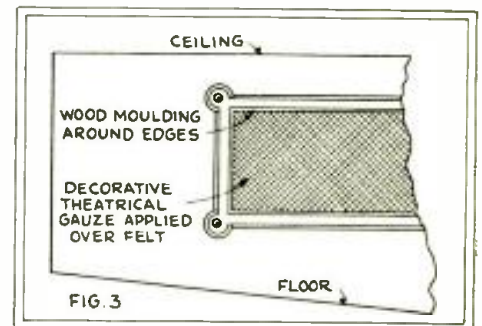
Dynamic installation at Roosevelt Field, Mineola, Long Island.

may be used. Be sure that the adhesive has moisture and heat-resisting qualities, and that it will adhere readily to the burlap back. Cement and paste of a kind used successfully on many installations can be obtained from most linoleum stores. The base of the space, where application is to be made, should be sanded so that the adhesive will have a chance to adhere direct to the raw material rather than to painted or otherwise covered surfaces. (If the waterproof cement is applied directly to a painted or varnished surface, the counter action tends to dissolve the paint and varnish, and the whole sheet of sound absorbing material might fall.)

Another method of application is to remove the plaster and apply the felt directly to the laths with flat-head nails. Where the room has tile walls, furring strips will have to be anchored to the wall with toggle bolts.

### Distribution of Sound

In the ideal theatre or auditorium, the design should be such that the listeners in the rear seats and in the far corners would



The panels thus treated are not only part of a theatre's decorations, but absorbents of sound; thereby preventing reverberations, or "echoes" from the walls, from spoiling quality.



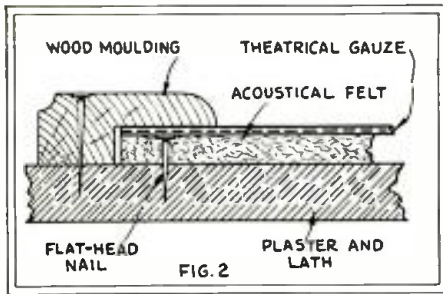


FIG. 2  
The method of applying the felt and gauze panels of Figs 1 and 3. These absorb sound instead of echoing it.

receive as much sound energy as those closer to the source of sound and the judicious use of reflecting surfaces and proper design will closely approximate such a condition.

According to John S. Parkinson, acoustical expert, much of this uneven distribution of sound results from the use of directional horns. For purely theoretical reasons, he favors the use of cone-type dynamic speakers with non-directional baffles for theatre work; but, for the larger houses it is obvious that the best practical combination is the cone-type dynamic, with a horn of large orifice and wide angle in the horizontal plane. (Fig. C.) This combination is used extensively in theatre work, being placed below the solid screens or in back of the sound screens.

When the source emits sounds in a comparatively narrow beam and in a single direction, it becomes increasingly difficult to provide adequate coverage.

Mr. Parkinson gives a most excellent analogy to illustrate this point. The ordinary garden hose is usually equipped with a nozzle, which will enable the user to direct the stream either in a single narrow jet or in a wide spray. Obviously, if the garden is large it is not possible to water all of it at once except by using a wide well-dispersed spray (as in the case illustrated by Fig. 4). In a similar fashion, in the theatre there is danger that certain areas will not receive their proper share of the direct "stream," or that certain reflectors will predominate in such a way as to produce phase distortion or even echoes. This analogy holds in the case of the dynamic unit having a small metal diaphragm combined with an exponential horn.

In many cases, it will be found absolutely necessary to obtain directional effect through the use of horns; this especially applies to outdoor installations. The cone-type dynamic reproducer can be combined with a directional horn to give results superior to any other method known.

**Matching Outputs and Reproducers**

The matter of correct matching of impedances is naturally of the utmost importance and, if this is ignored, distortion and under-volume are almost certain to be experienced. For example, the dynamic speaker is generally equipped with a coupling transformer, designed to match the voice-coil system of the speaker to the output of an amplifier using tubes '45 or '50. Where the output tubes of the amplifier are used in special combinations (such as two '10's, four '10's, four '50's, etc.) careful attention must be given to the selection of

the correct matching transformer, so that the impedance of the moving-coil system of the speaker will be adjusted to the resultant impedance of the output tube system. Likewise, where a number of loud speakers in multiple are coupled to the output of an audio amplifier, special provision must be made for correct matching. "Impedance adjusting transformers," having tapped primaries and secondaries, are available.

Incidentally, the pickup also should be carefully matched to the input impedance of the amplifier. Very often, loss of high or low notes are unjustly blamed on a perfect loud speaker; whereas the fault actually lies in improper matching between the pickup and the amplifier.

A volume control of poor design or quality may obliterate a substantial percentage of the overtones necessary to the brilliant and lifelike reproduction of sound.

A common defect, in talking-picture work, is that caused by excessive loudness, due to setting the fader far too high. Excessive loudness is uncomfortable to the listener and increases the tendency to reverberation. Monitor for moderate volume, and use "9" or "10" springily.

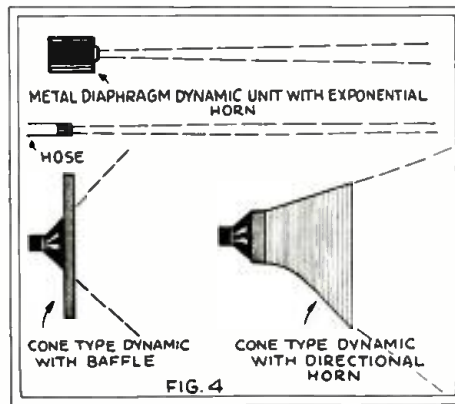


FIG. 4  
The smaller the flare of the horn, the more concentrated the sound. That of the horn above may be carried some distance through a flexible hose with little loss. With the others, the sound spreads at once.

Where two speakers are used with the same amplifier, they should be connected so that the diaphragms of both are moving in the same direction simultaneously. Otherwise, nodal points will be formed by the conflicting sound waves; with unpleasant reactions on the ears of the listeners at various points in the auditorium. This is a point often overlooked. (How often has this condition been checked in home radio installations?)

Fig. C

The large horn shown at the right is intended expressly to distribute sound over a considerable audience. It may be seen that it is more useful for some purposes than the flat baffle (as shown in Fig. 4); while the latter covers a larger angle. Because of the size of the floating cone, this exponential curve is much shorter than that of a horn connected to a small diaphragm. It is intended for use with a dynamic unit taking up to 15 watts from its amplifiers.

Illustrations courtesy Wright-De Coster, Inc.

TABLE I  
ABSORPTION PERCENTAGES  
Table Giving Approximate Proportions of Sound or Noise Absorbed by Common Building Materials.

Open window .....	100
Brick wall 18 inches thick.....	3.2
Bricks set in cement .....	2.5
Carpet unlined .....	15
Carpets lined .....	20
Carpets heavy with lining.....	25
Cement or concrete .....	1.5
Cork tile .....	3
Curtains, chenille .....	23
Curtains in heavy folds .....	25 to 75
Glass .....	2.7
Linoleum .....	3
Marble .....	1
Oil paintings, including frames.....	28
Plaster on wood lath .....	3.4
Plaster on wire .....	3.3
Plaster on tile .....	2.5
Rubber tile .....	3
Sheet metal .....	1.5
Stage opening .....	25 to 40
Steel walls and ceilings .....	1
Terrazzo .....	1
Wood Trim .....	3
Wood floor .....	3 to 6

(Strictly speaking, the above "absorption coefficients" will vary somewhat with the frequency of the sound. The values in the above table are for a frequency of 512 sound vibrations per second.)

The proportion of any sound which is not absorbed is, of course, reflected.

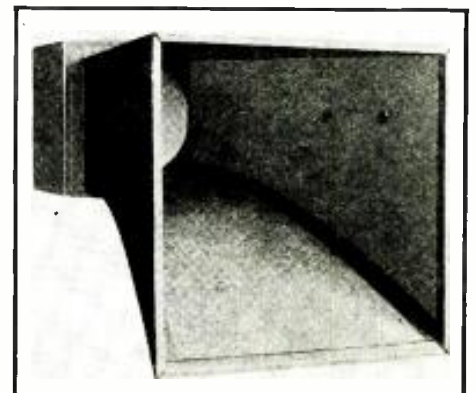
**Radio Book Review**

NEW EMPIRES, by Karl A. Bickel. 112 pages, cloth 5 x 7½ inches. Published by the J. B. Lippincott Co., Philadelphia. \$1.50.

The author of this work as active head of a great news-gathering agency—the United Press—has been enabled to gather facts and opinions from, not the United States alone, but the world over. The last 26 pages of the book are occupied by a survey of broadcasting conditions throughout foreign countries; and these facts are probably unobtainable from any other work of reference. They are preceded by a list of the broadcast stations of the United States owned by or affiliated with newspapers—also useful for many purposes.

The main body of the book, as the author explains, is an amplification of an address delivered to teachers of journalism, a few months ago. The "new empires" are those of international business, the newspapers and the radio; and the book is written throughout with the newspaper viewpoint foremost. It will be interesting, not to the journalist alone, but to all who are desirous of interpreting history as it transpires. Whether, how-

(Continued on page 445)



# The Progress of Television Technique

## THE MIHALY SYSTEM

By Dr. Albert Neuburger (Berlin)

*Scientists and engineers, throughout the world, are working to perfect radio vision. Their success is recorded here, month by month.*

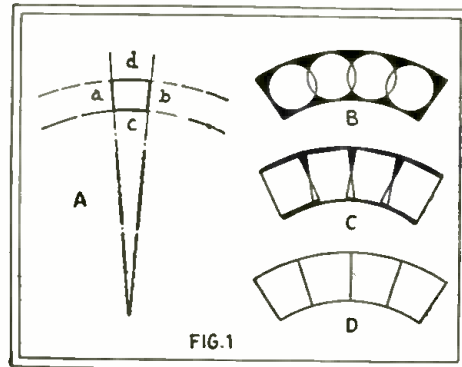
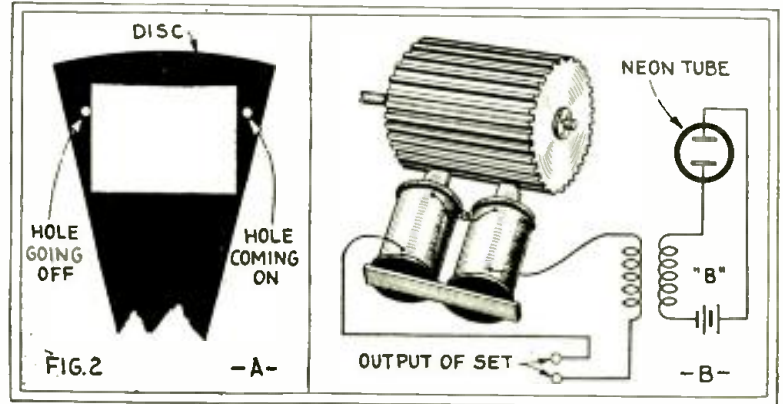
**T**HE difficulty of obtaining freedom from the flickering which is familiar to all who have seen television images, has been completely overcome by D. von Mihaly. In his latest apparatus, the images are perfectly motionless in the "window," and they do not show the customary shifting dark lines, which are due to the holes in the scanning disc. The image is evenly illuminated and clear.

Part of this is due to the increased speed of the scanning disc. This, which has thirty holes, revolves so fast that an area 12 x 16 inches is covered at the rate of 15,000 scanning points a second; and this figure may be increased to 18,000 points. (The former corresponds to a speed of 750 revolutions per minute, and the latter to 900, which is standard with American 48-hole scanning. German television, however, is permitted the use of the broadcast band, as explained in October RADIO-CRAFT; and this limits the modulating frequency.)

Furthermore, the holes in the scanning disc have been given the special shape shown in Fig. 1A. The sides of the hole slant toward each other at a very acute angle; while the top and bottom are concentric arcs.

From Fig. 1B, it will be seen that equality of illumination cannot be obtained with circular holes; in 1C, it will be seen that square holes, while an improvement, still cause lines; but the shape of opening just described, with its slanting sides, gives exactly even illumination and freedom from lines, as illustrated at 1D.

The fundamental principle of synchronization by a signal, transmitted with the television image, is based upon the creation of a signal by the scanning disc itself. This done by making the mask narrow enough so that a complete darkening of the scanning hole is caused after every line. This causes a frequency component which is applied to a "phonic wheel" as at B.



The Mihaly disc has holes (A) bounded by arcs and radii. This overcomes the unevenness of light received through circular (B) or square (C) holes; and gives perfect illumination, as at D.

### Mihaly Synchronizing Method

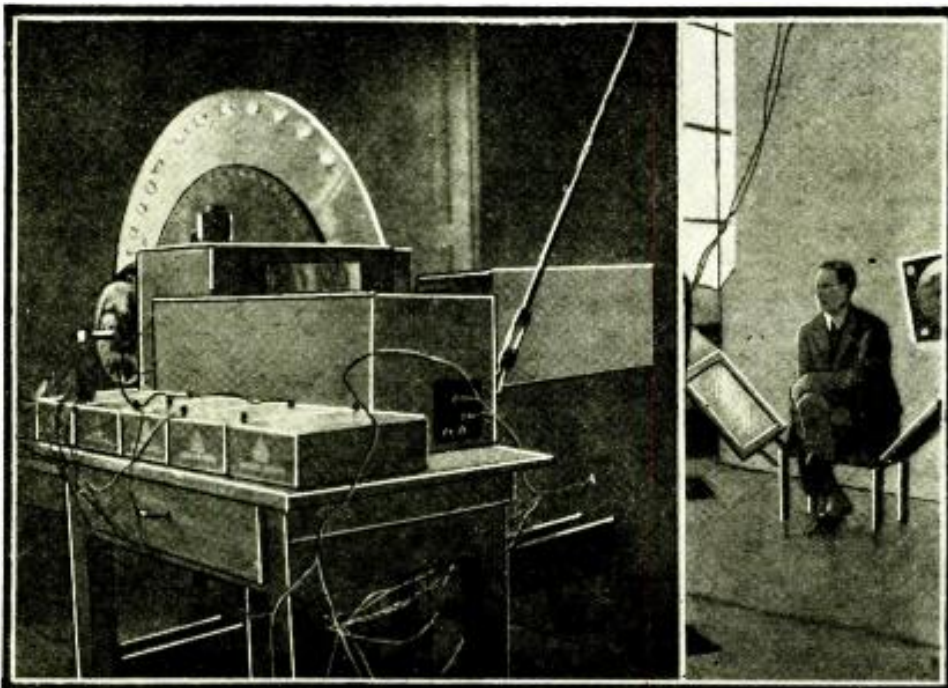
The "window" used to frame the image on the scanning disc is narrower than the distance between successive holes. For this reason, there is always at the end of each line an instant when no light can pass into the photo-cell at the transmitter (Fig. 2A), and the cell therefore gives out no current. To emphasize this effect, a rotating collector, which shorts the cell at this instant, is employed.

The result is that, at the receiver, a black line is formed after every passage of a hole across the window; that is to say, 375 times a second. This frequency of 375 a second acts upon a "phonic wheel," or cylinder, which is made of an insulating drum covered with thirty strips of soft iron, one for each hole in the disc. Opposite the wheel is an electromagnet, through which the synchronizing current impulses are directed. The wheel, therefore, turns in synchronism with the scanning disc at the transmitter; as its strips (corresponding electrically to the teeth of a gear) are attracted and released 375 times a second. This disc is mounted on the shaft of the receiver's scanning disc, which is thereby driven in synchronism with the transmitter (Fig. 2B).

### BRITISH SYNCHRONIZING SYSTEM

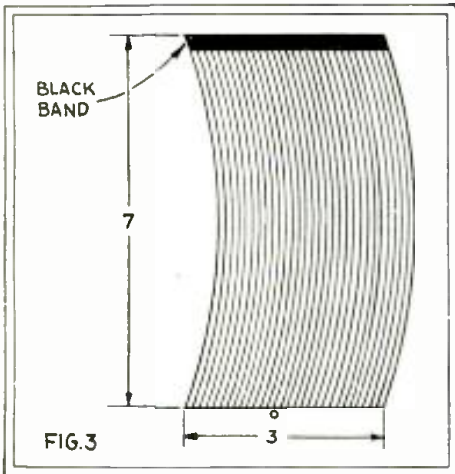
**I**N the transmission of images, and their reception, by the Baird system, now in use in England, a somewhat similar principle is employed. In following this description, it must be remembered that, on the Baird televisions, the image is framed at the side of the disc, and scanned from bottom to top; it is narrow and high (Fig. 3).

The Baird method, it is explained, differs in the use of the synchronizing impulse to actuate, not a phonic wheel (which is a true synchronous motor) but a speed controller which regulates the actual driving motor. This controller is a "cogwheel," built up of thin laminations of mild steel in later models, and cut with thirty equally-spaced teeth, one for each hole in the disc. This cogwheel is connected in series with the



The set-up of the Mihaly television for scanning subjects by natural daylight. Mirrors help to illuminate the subject properly; and a powerful lens concentrates the image upon the large scanning disc, which is placed in a dark room.





In the Baird system, which scans the image vertically, a part of the line is cut off at the upper end; this serves to create a synchronizing signal.

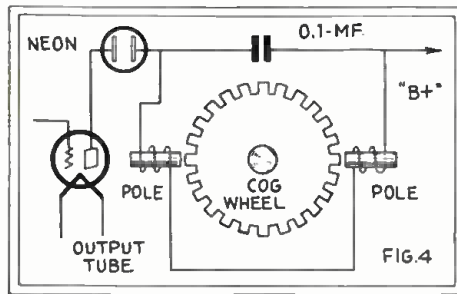
output of the television amplifier and the neon tube, as shown in Fig. 4.

On each side is mounted an electromagnet, so connected that poles of opposite polarity are always presented to the cogwheel. The surface of each magnet pole is exactly equal in size to the outer face of each cog, and the clearance is very small—about 1/500-inch. The cogwheel, which is keyed to the driving shaft of the scanning disc, is so set that, whenever a hole on the scanning disc is just half covered by the frame of the window (that is, half of it is in the black band of Fig. 3) two opposite teeth of the cogwheel are exactly facing the magnet poles.

When the scanning hole is completely within the shadow, and no current is emitted by the photoelectric cell, the accelerating force exerted on the wheel by the magnet poles has reached its maximum; and their

pull will tend to retard it, while the next hole is passing into the illuminated area of the scanner. If the disc is running in exact synchronism with the received impulses, these opposite pulls will balance. The result is that the speed of the driving shaft is subject to correction every time the image is scanned. Under working conditions, it is stated, very good synchronism is maintained.

However, we may speculate what the effect of a horizontal black or white element in the image might be; presumably similar to that of a vertical white element in American scanning, as described by Mr. Nason in the preceding issue of RADIO-CRAFT.



Here we have the synchronizing regulator at the receiver, which is placed in series with the glow lamp, and responds to the strongest component of the signal.

### USE OF THE TELEVISION SIGNAL IN MEASURING THE EFFECTIVE HEIGHT OF THE KENNELLY-HEAVISIDE LAYER

By C. H. W. Nason

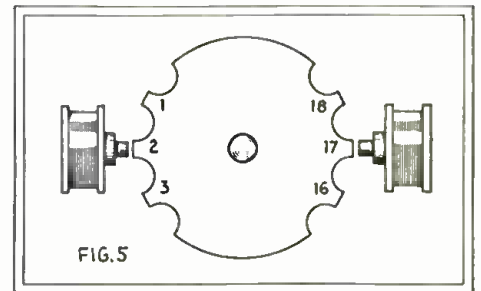
THE mechanics of wave transmission are rather obscure to the average radio enthusiast. Although almost all of us have at one time or another heard of the "Heaviside layer" as one of the causes of fading and as the fundamental

cause of "skip distance" in short-wave transmission, there has been little of a popular nature said in connection with these phenomena. In pursuing the elusive television signal certain facts have become apparent which, the writer believes, will lead to a simpler understanding of fading, and of other things contributing to the engineer's difficulties.

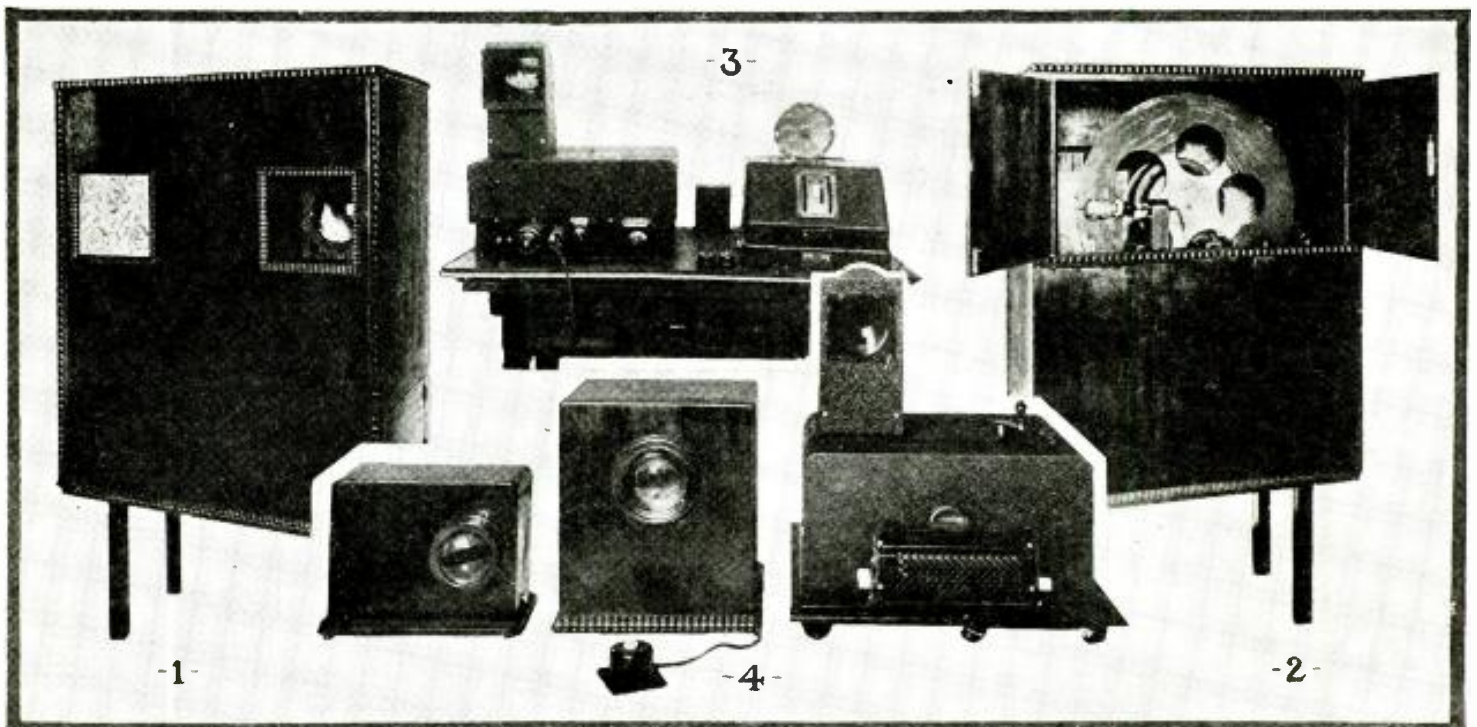
Very often, in receiving an image from a not too distant transmitter, double or "ghost" images evidence themselves. Fig. 6 shows an image of a simple geometric figure as it would appear on the television scanning disc. The image proper is dark. Superposed on this is another image, displaced by one-half the width of the field of vision.

Now, radio waves travel at a substantially constant velocity, and a wave traveling from point to point along the earth's surface naturally takes a shorter time to traverse the distance than a wave which has been directed upward and then reflected back from a medium impervious to the wave. This medium which reflected our wave (as shown in Fig. 7) is known variously as the Heaviside layer or (more properly, the Kennelly-Heaviside layer) and is

(Continued on page 430)



A close-up of the Baird speed controller, shown in circuit in Fig. 4. The adjustment is very close. (From Wireless Magazine.)



A group of televisions produced by the Telchor Company, of Berlin, which is developing the inventions of D. von Mithaly. The large sight-and-sound receiver shown at 1 is viewed from the rear at 2; it has a large disc, reproducing the image at the side in the window. At 3, a layout including a modern German broadcast receiver, with a television at its left; here the image is reflected upward into a "window." In the foreground at 4 are small televisions, one in the center with a speed control.

# RADIO CRAFT KINKS

## CONSTRUCTION OF A RESISTANCE METER

By Malvern H. Berry

ALMOST every radio and electrical experimenter has need of an efficient and reliable resistance meter. With this he can design his own resistors, choke coils, and many other things. The instrument mentioned in this article was constructed from a potentiometer, a galvanometer, two binding posts, one dial, and a small box. (Fig. 2.)

Assemble and wire in accordance with the diagrams; Fig. 1 is the schematic circuit.

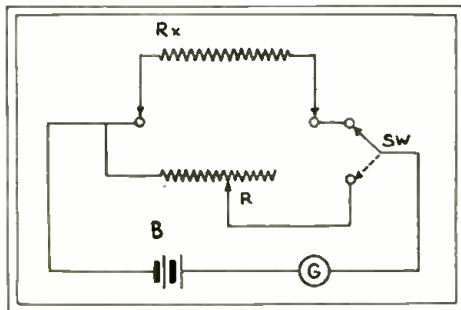


Fig. 1

A good wire-wound potentiometer, a galvanometer, some calibrated resistance standards, and a few odds and ends, complete this handy instrument.

The potentiometer R should be one of about 1000 ohms. The galvanometer G may be replaced by a high-range milliammeter and the results will be the same. The battery B is just a two-cell flashlight battery, which can be purchased from the ten-cent store.

After everything is assembled comes the calibration of the potentiometer R. This can be done with a Wheatstone bridge. (If the constructor does not have a Wheatstone bridge, one may be had for the asking at your local high school. In the event that the constructor is not familiar with the Wheatstone bridge, the physics instructor at the high school would be glad to explain it.) If you can use the bridge, proceed as follows: attach to the potentiometer a dial, (vernier preferred) and adjust the potentiometer for a reading of 5 on the dial.

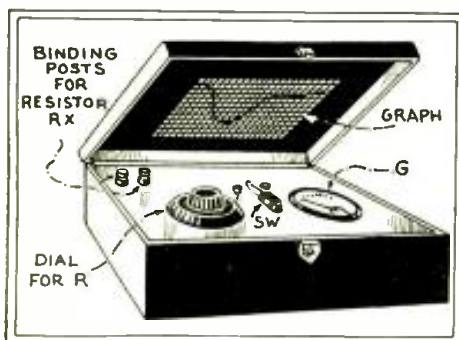


Fig. 2

Mr. Berry's layout; the graph in the lid is the reference calibration.

With this fractional part of the potentiometer in the circuit, connect it to the Wheatstone bridge and find what the resistance of that part is. Get a piece of "graph" squared paper and graph the resistance in ohms, for every five marks or degrees on the dial, *across the paper*; and graph the reading or degrees on the dial *up and down*. Where the two intersect on the graph page, place a dot. After the resistances have been calibrated from zero to the full value of the dial for every five degrees, draw a line through all of the dots. This will be your calibrated curve for the resistance meter.

To operate the meter, place an unknown resistance Rx across at the binding posts, and note the reading of the galvanometer G when the unknown resistance is placed in the circuit. Switch on to the calibrated potentiometer R and adjust until the galvanometer reads the same as before. The value is then the same in both resistances. Take the reading of the dial in degrees and look that reading up on the graph, and the value of the unknown resistance can be read direct from there.

By ganging several variable resistors of assorted ranges at R, and tapping them to a selector switch, the resistance range may thus be greatly increased.

## A CONVENIENT HYDROMETER RACK

By Willis W. Futer

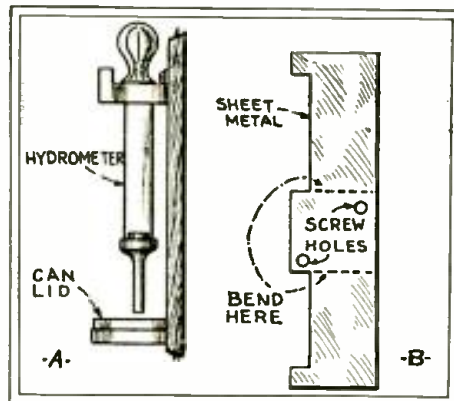


Fig. 3

The hydrometer holder A—made from the strip B—is fitted with a wax-covered drip pan, which is acid-proof.

FINDING that the hydrometer had a habit of getting into the tool box, against coils and condensers, and into other undesirable places—thus putting sulphuric acid where it wasn't wanted—the writer rigged up a simple rack that nicely solved the problem.

As the illustration shows, a sheet of metal, of the shape shown at B, is bent into arm shape to hold the rubber cap, as at A.

An acid drip-pan, made from a can cover, is fastened below the nozzle.

Both pieces of metal are to be dipped into paraffin (which may be obtained by melting a candle) to prevent the acid from eating through the metal wherever it may touch.

## IMPROVING AUDIO QUALITY

By George H. Ohmer

SOME experimenters claim that, when the secondary of an A.F. transformer is used as an audio impedance, it is better to use one having a burnt-out primary. Their contention is that the inductance of the unused primary winding will set up stray

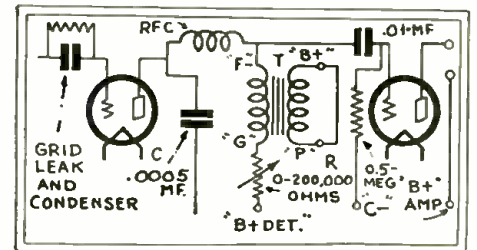


Fig. 4

As a comment on audio quality, the author suggests shorting the unused primary, when using the secondary as an audio coupling choke.

out of phase, currents which will cause distortion.

The author built an audio amplifier of the impedance-capacity coupled type, using the secondary of an A.F. transformer of 6-to-1 ratio whose primary was still perfect. On loud volume the signals were distorted.

Shunting the unused primary with a .001-mf. condenser reduced the distortion slightly; and a .005-mf. capacity greatly reduced the distortion. Shorting the primary connections ("B+" and "P") was best.

However, still further improvement was effected by the use of an R.F. choke, the condenser C, and a variable resistor R with a value of 0 to 200,000 ohms.

## THE "HOWLER" AS A SERVICE OSCILLATOR

By B. Fox

THE old idea of putting a microphone transmitter against a receiver may now be put to more practical use than annoying the party at the other end of the wire, as illustrated in Fig. 5.

Transformers T1 and T2 are any handy (Continued on page 442)

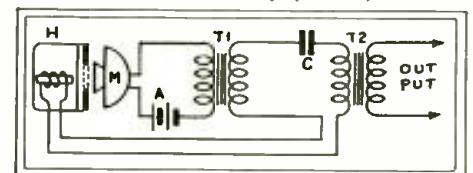


Fig. 5

A telephone transmitter, receiver, and transformer, are the essentials of this "audio howler," designed for use in radio adjustment.



# SHORT WAVE CRAFT

## An A. C. Short-Wave Receiver with the Automatic Tuner

By H. E. HURLEY, W6CKS

THE receiver to be described is an example of what may be accomplished by the experimenter or set builder who is not technically trained and must depend on the magazines for his "dope." The author claims no credit for any part of the circuit shown. Every portion was lifted, wholly, or in part, from some circuit described in a radio magazine or from a manufacturer's pamphlet. Much credit is due to W8AYO.

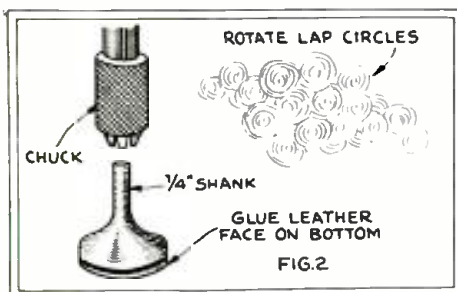
The receiver's range is from about 18 to 100 meters; no "coils" are used and frequency is varied by setting, to a given mark, one dial. All important "ham" bands are covered and automatically well spaced over the secondary tuning dial. Most of the short-wave commercial phone and broadcast stations are covered, as well as numerous airplane, ham and transatlantic phone stations.

The operating power is all A.C. Even "C" batteries are eliminated, and it is as near "humless," with good tubes, as an A.C. set can be. This means that little or no hum is to be heard, except a slight residual hum at very low wavelengths. In explanation of this, even a "D.C." short-wave receiver, if operated near A.C. leads at 20 meters, will pick up some A.C. hum. This receiver has no more hum at 20 meters than the direct-current receiver in the same location.

The radio-frequency input is untuned. Authorities differ as to the value of tuned or untuned radio frequency in short-wave reception. The writer's experience is that about everything heard on a commercially-built tuned R.F. set is to be heard on this receiver; so the '24 screen-grid R.F. stage is left untuned. The detector also is screen-grid, and is exceptionally sensitive at all frequencies. (See Fig. 1.) The '24 is non-microphonic, and one may jar or slam the set without trace of "racket" in the phones. The set goes into oscillation, at 18 meters, as smoothly as at 100 meters. Absolutely no "dead spots" are encountered at any frequency.

The audio end is "dual." A switching arrangement is used to change over from "peaked" audio for C. W. code reception to "quality" audio for phone and broadcast work. The value of this feature is apparent the first time listening on the crowded "Ham" bands is attempted.

The second stage is also controlled by a switch; no plugging in or out of phone jack



This kink may be applied to give that frosted metallic finish to an aluminum front panel; the overlapping circles produce an attractive effect.

being necessary. In the receiver pictured, extra jacks are provided to accommodate visitors who desire to "put on the cans." As "ham" work is the usual duty of this receiver, no provision was made for a speaker; however, such a hook-up has been used with very satisfactory results (Fig. 1A.)

Dimensions of the chassis are: panel 7 x

14 inches; sub-panel 13 x 8 x 1 3/4 inches, with a section 1 1/2 inches wide cut out back of the panel; 1/8-inch aluminum stock is used for the panel and 1/16-inch for the sub-panel. (Lighter stock may be used.) The front of the panel is given a "frosted" finish by placing a 1-inch block in the drill chuck (Fig. 2) then rotating on the panel, after it has been lightly covered with fine valve-grinding compound. Lap the circles and, when the entire panel has been worked, wash off (do not wipe off) the remainder of the compound.

All wiring is beneath the sub-panel. The biasing batteries are soldered in place, as they should last for a long time. The individual 1 1/2-volt cells were obtained from the smallest 4 1/2-volt "C" battery; though small flash-light cells could be used. All parts, except the automatic tuning unit, are standard and may be purchased from any good supply house; the tuner must be ordered direct from the factory. It was fully described in *RADIO-CRAFT* for May, 1930, beginning on page 572.

(Continued on page 431)

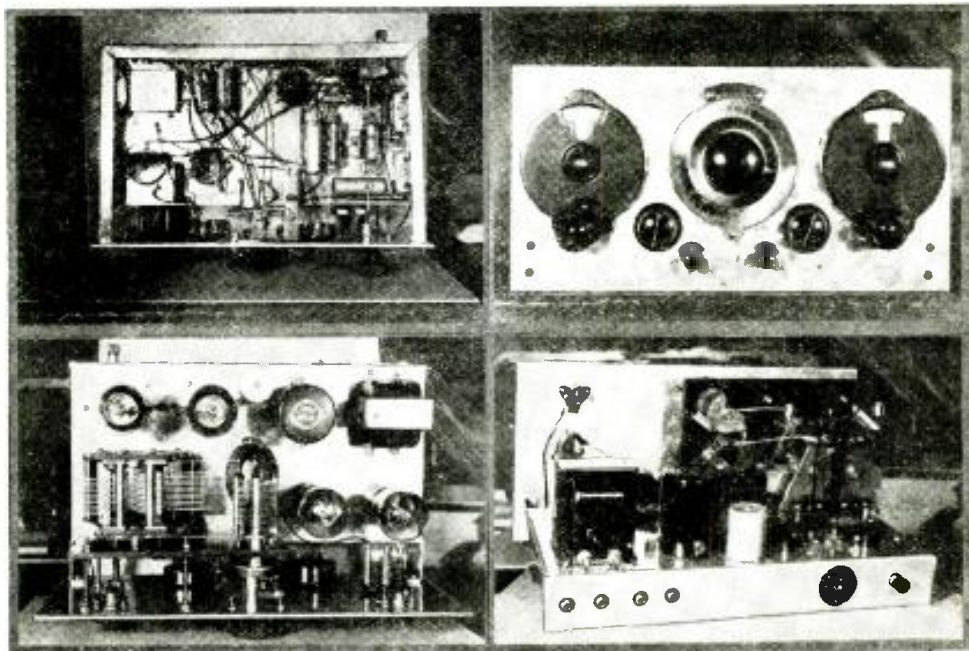


Fig. A

Four views of the receiver built by Mr. Hurley, that at the upper right illustrates the panel arrangement described in the text. The placement of parts is very completely shown. The automatic tuner visible at the left of the panel (from above) comprises the condensers C1 and C2, the variometer L1 and tickler L2. The regeneration control is located where the volume control is in an ordinary receiver.

# The Hows and Whys of the Push-Pull Circuit

## (PART II)

*The push-pull circuit, it is generally known, gives more power than tubes in parallel; and it gives better quality. The reasons will be explained in a series of articles of which this is the second.*

By EDGAR MESSING

**T**HE first installment of this article, in the December issue of *RADIO-CRAFT*, was devoted to a consideration of whether, and how, resistance in the plate circuit of a tube could cause false reproduction. The next step is to investigate the tube's behavior when the load contains inductance, or capacity, as well as resistance.

Fig. 6 shows what happens to the curve with an audio transformer T as the load. Curve A represents the relation between grid voltage and plate current at a given plate voltage. Curve B shows the same relation but at a lower plate voltage; and curve C shows the characteristic under higher plate voltage. The three curves are shown because the passage of plate current through the load (the primary of T) causes a potential drop across it, and thereby lessens the voltage at the plate. Actually, as we pointed out previously, the tube operates between curves B and C which represent, respectively, the minimum and maximum voltages at the plate of the tube.

Point a on A will be that around which we operate. On the positive side of the incoming wave, shown as a variation of the grid voltage  $E_g$ , the grid's becoming more positive, or rather less negative, tends to increase the plate current. But the load circuit contains inductance as well as resistance; and the effect of inductance, as we all know, is to discourage any change in the current through it. In other words, we say that the current through an inductance "lags" behind the voltage causing that current. What happens, then, is that the plate current cannot follow the grid voltage variations *instantly* but, marching up to the point b, lags the input voltage, as shown by a-b.

We have said that the plate current lags the input voltage. More truly, the input voltage on the grid causes a variation of the plate current, which is more conveniently interpreted as the result of a voltage

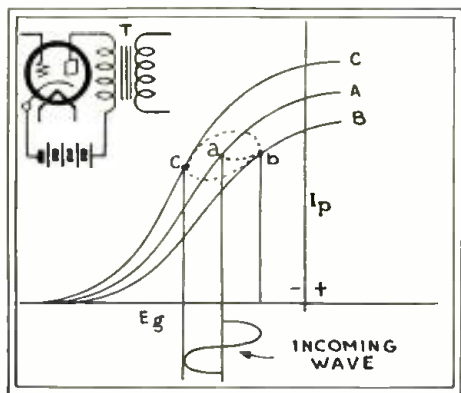


Fig. 6

We have previously seen the curves of resistance coupling; here are those of a tube with an inductive load in the plate circuit.

which we consider to be generated between the plate and cathode. The plate current, of course, is lagging this generated voltage.

If we plot all the points for various grid potentials, we obtain a loop as our dynamic or operating characteristic, as shown dotted in the graph. Now, obviously, operating along a loop means that the plate current does not exactly follow the grid-voltage variations. Fig. 7 makes this more clear. Note here that, if we change the grid voltage by one unit (say, from x to y), the plate current may change less than a unit (or from p to r only). But, on the contrary, at some other point of the curve, a change of one unit of grid voltage (as from r to s) may

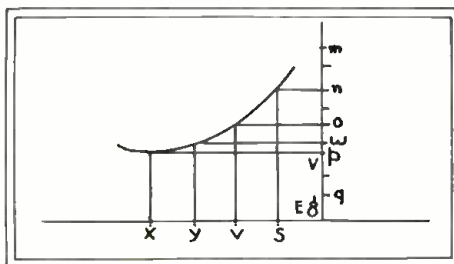


Fig. 7

Wherever a tube is operated on a "curved characteristic," the output current (vertical) does not exactly reproduce the input voltage (horizontal).

mean a change of two units of plate current (o to n). If we had operated along a straight line instead of a loop, any change in grid voltage, anywhere on the line, would always produce an equal change of plate current. The effect of an impedance load, then is to cause distortion. And now we know that a tube, operating under the usual conditions, will produce distortion, and that this distortion will be considerable if the output impedance is small. But—and this is what we have been getting around to through several paragraphs—the use of a push-pull circuit will eliminate this distortion; and therefore we may resort to it, even when a low-impedance output is necessary.

Just how this is accomplished, we will be able to see with the help of Fig. 8. Curve A, above (which represents the shape of the plate current of tube V1 of Fig. 1) may be resolved into curves C and D, where C is the fundamental which exactly represents the wave impressed on tube V1, and D is the component representing the distortion caused by the tube. Wave D, we note, has twice the frequency of C and is therefore its second harmonic.

(We are justified in resolving the curve into components because it has been proven mathematically, many, many times, that a curve may be regarded as the sum of any number of curves; and we may see that C and D added together produce A.)

Now, B is the curve of the plate current

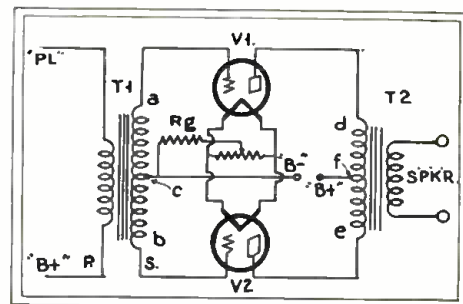


Fig. 1

The standard push-pull output stage.

of tube V2, which (as explained in Part I) has impressed upon it voltage which differs in phase from that on the grid of V1, and shows a corresponding difference in plate current. We proceed to break up B similarly into its fundamental C' and second harmonic D'.

Now we note that curves C and C' are directly opposite; i.e., one is positive and the other is negative or, as an engineer would say, they are 180 degrees out of phase. Curves D and D', however, are exactly in phase. If C and C' are directly opposed, this means that, when C is flowing from d to f through one half of the output transformer (T2 in Fig. 1) C' is flowing from f to e. (If we consider, as we may for this purpose, the alternating component in the

(Continued on page 438)

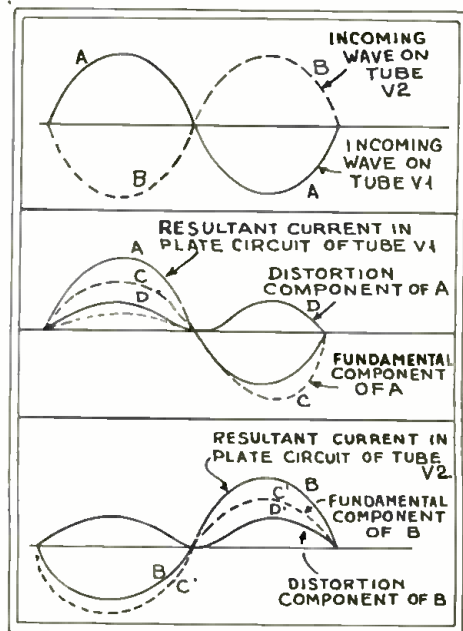


Fig. 8

The two tubes create the two waves A-B; each, as a result of the distortion explained in Fig. 7, has a distortion component added to the fundamental which represents the signal. By the push-pull circuit, the distortion is canceled out.



# Constructing An All-Wave Superheterodyne

*With Data for R.F., Oscillator, and Intermediate Coils, for the "Roll-Your-Own" Constructor*

By R. WILLIAM TANNER, W8AD

**A** GREAT many broadcast listeners, interested in the short waves, are using for such reception an S.W. adapter which plugs into the detector socket of the regular broadcast receiver. The sensitivity of such an arrangement leaves much to be desired.

The writer recently worked out the circuit, shown in Fig. 1, which allows efficient reception on all waves, from approximately 17 to 600 meters, with a single receiver. A total of seven tubes are needed; an '01A first detector, an '01A oscillator, two '22 screen-grid I.F. stages, an '01A second detector, a '12A first audio amplifier and a '71A power amplifier. Although a screen-grid R.F. stage ahead of the first detector is very desirable from the standpoint of gain and selectivity, as well as for the elimination of interference with neighboring listeners, it is not an absolute necessity and is not shown in the diagram.

Even without an R.F. stage there is remarkable sensitivity, due to the use of regeneration in the first detector and a high-gain intermediate-frequency amplifier of the variometer-tuned type. The selectivity is on a par with that of any other receiver and is sufficient for even the most exacting operator. The use of high-grade audio transformers, plate rectification in the second detector, and inductance-tuned I.F. transformers results in a very fine quality of reproduction. (Note—the quality of some short-wave broadcasting is none too good; therefore do not blame the receiver if distortion is present below 200 meters).

### The Frequency-Changer

This part of the super is of somewhat different design from that usually employed; in that the oscillator is of the tuned-plate type and a variable resistor is connected in parallel with the first-detector tickler to control regeneration.

It will be noticed, by referring to Fig. 1, that for tuning the first-detector input and the oscillator-plate coil, double condensers are employed in parallel. These are Pilot two-gang .00035-mf. units, with removable shafts and modified straight-line-frequency plates. In both condensers the back sections are cut down to three rotor plates, resulting in a capacity of approximately .00015-mf.; the front sections have each one plate removed. A bridge of No. 14 bare

**T**HE writer of this article, well known in the short-wave field, here describes a set which is well adapted for use over the broadcast range as well as for short-wave work, and which will give high amplification. We shall be glad to hear from the constructors of supers of such a range whether similar in design to Mr. Tanner's, or showing differences.

copper wire is made to fit between the two stator terminals on each condenser. When receiving in the 200-600-meter band, both sections are thus connected in parallel; the effective capacity being slightly over .00035-mf. On the other hand, when the short waves are desired, the wire bridges are removed; leaving only the brick sections in circuit. In this manner efficient tuning is obtained throughout the entire range.

The radio-frequency choke (RFC) used in the plate circuit of the oscillator may be one of the many on the market designed for waves below 600 meters. That (RFC1) in the first-detector circuit may not be needed; as the primary of the first intermediate-frequency transformer acts as a R.F. choke. However, if "holes" where regeneration is absent are found in tuning the first detector, the inductance of the

transformer primary may not be correct; if so, try connecting in a coil consisting of 100 turns of No. 36 enamel wire on a 1/2-inch wooden dowel, which has been previously "boiled" in paraffine.

The fixed condensers C1, C2 and C3 are, respectively, the grid, plate blocking and bypass condensers, and have capacities of .00015-mf., .00025-mf. and .002-mf. R is a grid leak, 6- to 8-megohm; the higher value giving the greater sensitivity. R1, the regeneration control, may be almost any variable instrument with a maximum of 10,000 to 50,000 ohms resistance. The two filaments are controlled by a fixed 2-ohm resistor R3, which is connected in the positive lead so that the negative side could be grounded.

If the completed receiver is to be mounted in a metal cabinet (it should be for best results) the metal shaft of the oscillator tuning condenser must be replaced with one of bakelite, and the frame insulated from the panel.

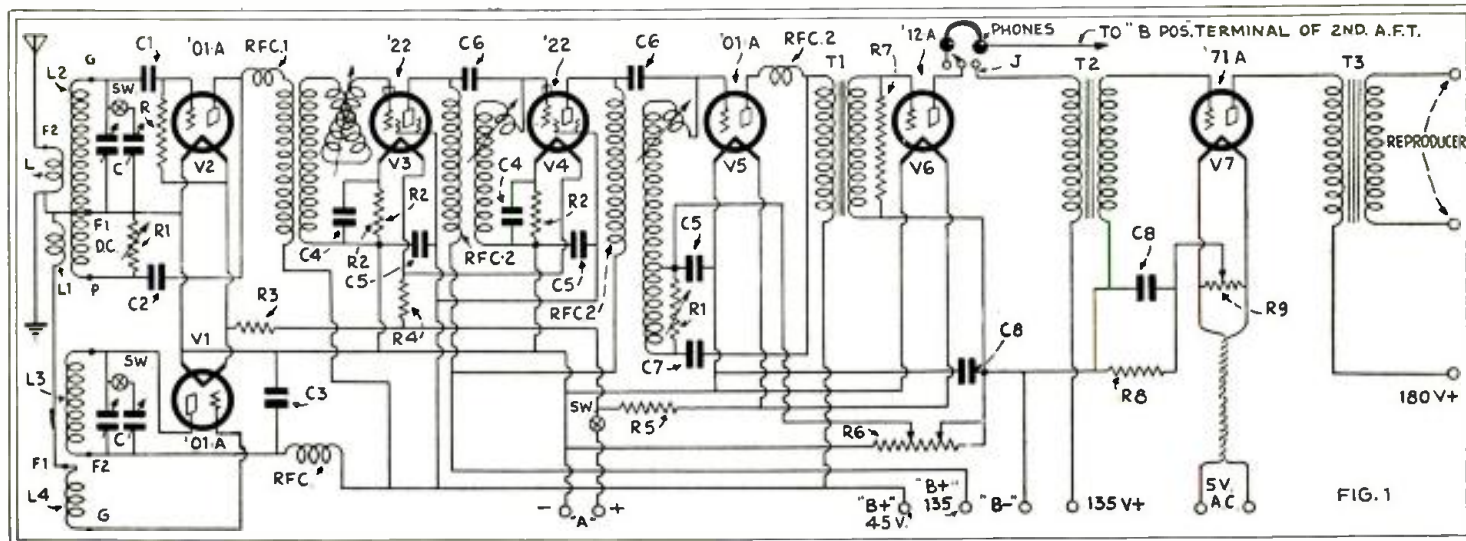
Even though the entire set is housed in a metal cabinet, the oscillator stage and component parts should in addition be enclosed within a copper or aluminum shield, to prevent stray coupling to the first detector circuit.

### Intermediate-Frequency Amplifier

This unit is the heart of the super, and upon it depends whether the receiver will be really sensitive and selective, or be like a great many home-constructed supers—neither very sensitive nor very selective.

As the vacuum tube is a voltage-operated device, the I.F. transformers should be so designed and constructed that the highest possible voltage is impressed upon the grids. It is a well-known fact that capacity in shunt lowers the effective voltage and, if too high, also sharpens the tuning to such

(Continued on page 435)



The circuit of Mr. Tanner's receiver; only the plug-in coils and condensers of the first detector and oscillator must be changed and switched over, for different reception ranges. The remainder of the circuit is set to balance the intermediate stages most effectively; it will be noticed that these circuits are tuned by variometers, rather than condensers, to give stronger signals.



**SPECIAL NOTICE TO CORRESPONDENTS: Ask as many questions as you like, but please observe these rules:**

Furnish sufficient information, and draw a careful diagram when needed, to explain your meaning; use only one side of the paper. List each question. Those questions which are found to represent the greatest general interest will be published here, to the extent that space permits. At least five weeks must elapse between the receipt of a question and the appearance of its answer here. Inquiries can be answered by mail only when accompanied by 25 cents (stamps) for each separate question. Other inquiries should be marked "For Publication," to avoid misunderstanding. Replies, magazines, etc., cannot be sent C. O. D.

**NORTHERN ELECTRIC "R-50" RECEIVER**

(102) Mr. R. Stark, Port Arthur, Ont., Can. (Q.1) If available, please show the schematic circuit, and any additional material you may have available, on the "Model R-50" receiver. This was a product of the Northern Electric Company of Canada but, since as the receiver is now obsolete, it is difficult to obtain any data regarding its circuit. This set uses three of the little type "215A" peanut tubes (known also as "N" tubes) for R.F. amplification and detection; the two audio tubes are type "DX235." The last two (A.F.) filaments are wired in parallel, but the detector and the two R.F. tube filaments are connected in series; a 6-volt "A" supply being used. The tubes for the R.F. windings are 3 in. in diameter and 3 in. long, wound with No. 22 enameled wire. The tuning condensers C1, C2 and C3 have a capacity of approximately .0005-mf., each.

Please state where the coils are tapped, and the values of the remaining units.

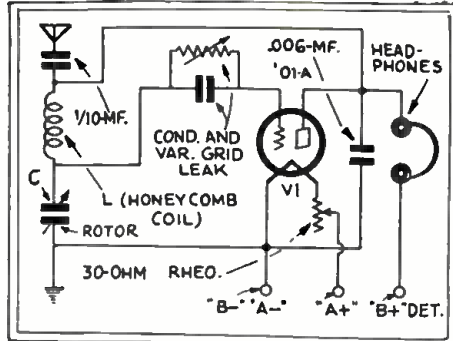
(A.1.) R.F. Coil L1 has a total of 63 turns, tapped 10th and 15th turns; L2 and L3, 67 turns, tapped at the center for the plate connection, and half-way between the center and one end, connecting either to C4 or C5, for the "B+" lead. Condensers C4 and C5 are the usual small neutralizing condensers, having a maximum capacity of about 35 to 50 mmf. Resistor R4 may have a resistance of about 30 ohms. Although not shown in the diagram, the "B+90" lead to the audio tubes is by-passed by a 1-mf. condenser; this value may be used also as the "B" by-pass condenser C10 across the "B45" and "A—" posts. Coils L1, L2 and L3 must be in non-inductive relation.

(By an odd coincidence, a letter from Mr. W. Harvey Wright, Marion, Ind., has come to the attention of this desk, in which substantially the same circuit is recommended to RADIO-CRAFT readers for experimental consideration. However, his directions call for 60 turns of wire on the R.F. coils—though the total number of turns will depend upon the capacity of the tuning condensers—tapped at

20 and 40 turns. The antenna coil, it is suggested, is to be tapped at the 6th and 10th turns; but this will vary with the selectivity desired. Mr. Wright is using type '01A tubes, up to the output stage, which has push-pull '71A's.)

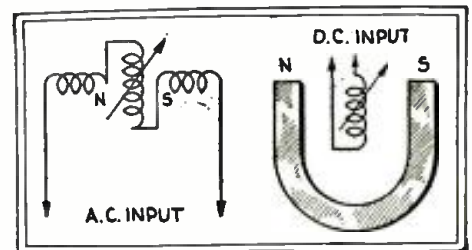
(Q.2) How can this set be prevented from motorboating?

(A.2) If batteries are used for the "B" supply, it is probable they are too low and should be replaced. If an eliminator is supplying plate current, it is not large enough for the job, and lacks filtering capacity. Increasing the values of the output by-pass condensers should enable the circuit to operate without motorboating. Especially, try increasing the "B+" detector by-pass capacity to 2, or even 4 mf.; in the diagram, this is condenser C10, connected to post P. Try another ground connection; and try other grid leaks for R2 or R3.



(Fig. Q.103A) For long-wave practice and experiment you may use this; but keep off the broadcast band with this "autodyne" circuit.

(Q.3) How is a phonograph pick-up to be connected into circuit; and would it be possible to use a screen-grid tube in place of one of the "N" tubes?



(Fig. Q.103B) Left, the series "reversing field" of an A.C. meter; right, the fixed field of a D.C. meter.

(A.3) A phonograph pick-up may be connected to the grid and filament posts of the detector tube V3, and switch may be used to control this connection.

This circuit is a "neutrodyne," and consequently redesigning would be necessary in order to adapt it to screen-grid tubes. Also, the increase of amplification would necessitate re-location of the components, to prevent feed-back effects. At any rate, condensers C4 and C5 would not be needed; and the new dry-cell type screen-grid tubes ('32s) should be used if the filaments are to remain series-connected.

**LONG-WAVE RECEIVER**

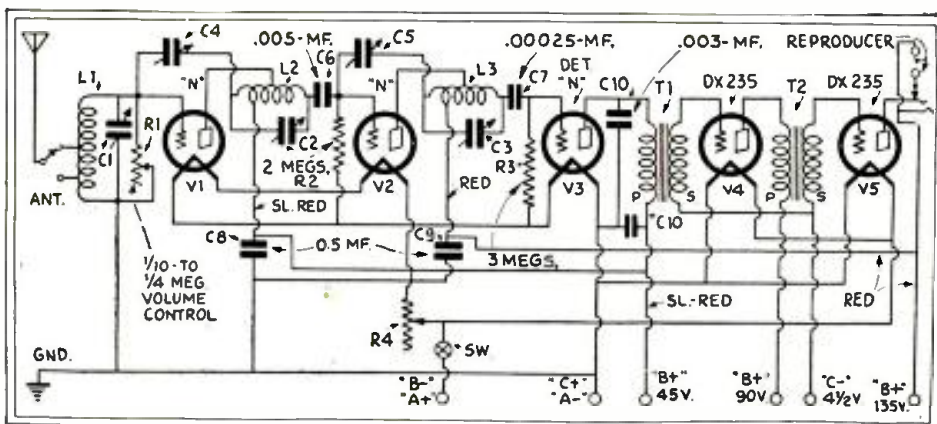
(103) Mr. T. T. Curling, Ft. Wayne, Ind. (Q.1) How may a simple one-tube receiver be made, for picking up long-wave code station transmissions to obtain code practice?

(A.1) The schematic circuit of an easily-built set, the DeForest "Ultra-Audion," is shown in Fig. Q.103A. Although a tuning condenser C of .0005-mf. capacity may be used, it is recommended that this part have a capacity of about .001-mf.; which value may be obtained by ganging two .0005-mf. units. The larger capacity will make it easier to tune in a greater number of stations with a lesser number of coils. Any type of tube may be used at V1. Honeycomb coils may be purchased, or home-made coils scramble-wound, with No. 30 enameled S.C.C. wire, on a form an inch wide and about two inches in diameter, to the following number of turns: (25, 80-350 meters; 35, 175-550) 50, 200-750 meters; 75, 330-1030; 100, 450-1460; 150, 660-2200; 200, 1300-4000; 250, 1550-4800; 300, 2050-6300; 500, 3,000-8,500; 600, 4,000-12,000; 750, 5,000-15,000; 1,000, 6,200-19,000; 1,250, 7,000-21,000; 1,500, 8,200-25,000, meters. The two smallest coils are listed merely for completeness; the ranges are roughly those covered with a .001-mf. condenser. Some form of mounting must be arranged so that the coils may be conveniently interchanged. The coils should be rigidly supported; so that the turns cannot move, even slightly, when the coils are interchanged.

(Q.2) How does an A.C. meter work? Why does it indicate, steadily, on A.C.; when the needle of an ordinary D.C. meter on this supply will flutter?

(A.2) The D.C. meter when measuring D.C. may be represented as shown at the right in Fig. Q.103-B; where a moving coil, carrying the current to be measured, produces a field which reacts

(Continued on page 443)



(Fig. Q.102) The Northern Electric "R-50" circuit, which is very similar to the W. E. "Betts" and the "Everyman Four." This circuit is excellently adapted to use screen-grid instead of "N" tubes; the neutralizing condensers C4 and C5 would be then eliminated. We shall be glad to hear from experimenters who have tried this.



# Short-Wave Stations of the World

**Kilo-Meters cycles**  
 4.97-5.35 60,000-56,000—Amateur Telephony and Tele-  
 vision.

5.83 51,400—W2XBC, New Brunswick, N. J.  
 7.32 41,000—W8X1, East Pittsburgh, Penna.  
 8.57 35,000—W2XCW, Ampere, N. J.  
 1.67 34,600—W2XBC, New Brunswick, N. J.  
 9.68 31,000—W8X1, Pittsburgh, Pa.  
 9.96 30,105—Golfo Aranci, Sardinia. Telephone to  
 Rome.

10.51 29,190—PK315, Sourabaya, Java, Wed. and Sat.,  
 7:50-7:50 a.m.

11.55 25,960—GSSW, Chelmsford, England Experimental.  
 11.67 25,700—W2XBC, New Brunswick, N. J.  
 12.48 24,000—W6AQ, San Mateo, Calif.

(Several experimental stations are authorized  
 to operate on non-exclusive waves of a series,  
 both above this and down to 4 meters.)

13.04 23,000—W2XAW, Schenectady, N. Y.  
 13.92 21,540—W8XK, Pittsburgh, Pa.  
 13.97 21,400—W2XAL, New York.

14.01 21,400—WLG, Lawrence, N. J., transatlantic phone.  
 14.06 21,320—DIV, Nauen, Germany.  
 14.15 21,130—LSN, Monte Grande, Argentina.

14.50 20,680—LSN, Monte Grande, Argentina, after 10:30  
 p. m. Telephony with Europe.  
 —FMB, Tananave, Madagascar.  
 —PMB, Bandong, Java.  
 —FSR, Paris-Salgon phone.

14.62 20,500—WBXF, Chicago, Ill. (WENR).  
 14.89 20,110—DGM, Nauen, Germany. Tests 10 a.m.-  
 3 p.m.

15.03 19,950—LSG, Monte Grande, Argentina. From 9  
 a.m. to 1 p.m. Telephony to Paris and  
 Nauen (Berlin).  
 —D1H, Nauen, Germany.

15.07 19,900—Monte Grande, Argentina. 8-10 a.m.  
 15.10 19,850—WMI, Deal, N. J.  
 —SPU, Rio de Janeiro, Brazil.

15.12 19,820—FTD, Ste. Assise, France.  
 15.40 19,400—FZU, Tananave, Madagascar.  
 15.45 19,400—FRO, FRE, Ste. Assise, France.

15.50 19,350—Naney, France, 4 to 5 p.m.  
 —VK2ME, Sydney, Australia.

15.55 19,300—FTM, Ste. Assise, France. 10 a.m. to noon.  
 15.60 19,220—WNC, Deal, N. J.  
 15.94 18,820—PLE, Bandong, Java. 5:40-6:10 a.m. and  
 from 2:40 a.m. Tues. and Fri.; 8:10-10:10  
 a.m. Tues. Also telephony.

16.10 18,620—GBJ, Bodmin, England. Telephony with  
 Montreal.

16.11 18,610—GBU, Rugby, England.  
 16.30 18,400—PKZ, Kootwijk, Holland. Daily from 1  
 to 6:30 a.m.

16.35 18,350—WND, Deal Beach, N. J. Transatlantic  
 telephony.

16.38 18,310—GBS, Rugby, England. Telephony with  
 New York. General Postoffice, London.  
 —FZS, Salgon, Indo-China, 1 to 3 p.m.  
 Sundays.

16.44 18,210—FRO, FRE, Ste. Assise, France.  
 16.50 18,170—CGA, Drummondville, Quebec, Canada  
 Telephony to England. Canadian Marconi  
 Co.

16.54 18,130—GBW, Rugby, England.  
 16.57 18,120—GBK, Rugby, England.  
 16.61 18,050—KQJ, Bolinas, Calif.  
 16.67 17,950—FZU, Tananave, Madagascar.

16.80 17,850—PLF, Bandong, Java ("Radio Malabar").  
 —W2XAO, New Brunswick, N. J.

16.82 17,820—PCV, Kootwijk, Holland. 3 to 9 a.m.  
 16.87 17,780—W8XK, Pittsburgh, Pa.  
 16.90 17,750—HS1PJ, Bangkok, Siam. 7-9:30 a.m., 1-3  
 p.m. Sundays.

17.10 17,350—G21V, S.S. "Majestic."  
 —G2GN, "Olympic."

17.34 17,300—W2XK, Schenectady, N. Y. Tues., Thurs.,  
 Sat. 12 to 5 p.m. General Electric Co.  
 —W8XL, Dayton, Ohio.  
 —W6XN, Oakland, Calif.  
 —W6AJ, Oakland, Calif.  
 —W6XA, Portland, Ore.  
 —W7XC, Seattle, Wash.  
 —W2XCU, Ampere, N. J.  
 —W9XL, Anoka, Minn., and other experi-  
 mental stations.

17.52 17,110—W00, Deal, N. J. Transatlantic phone.  
 —W2XDO, Ocean Gate, N. J. A. T. & T. Co.

18.10 16,560—G2AA, ship phone.  
 18.37 16,320—VKR, Sydney, Australia. Phone to England.  
 18.40 16,300—PCL, Kootwijk, Holland. Works with  
 Bandong from 7 a.m. Netherland State  
 Telegraphs.

—WLO, Lawrence, N. J.  
 18.50 16,200—FRE, Salgon, Indo-China.  
 18.56 16,150—GBX, Rugby, England.  
 18.80 15,950—PLG, Bandong, Java. Afternoons.  
 19.50 15,375—FBBZ, French phone to G2GN.  
 1-3 p.m. relay to WAV.

19.56 15,310—W2XAD, Schenectady, N. Y. Broadcasts  
 19.60 15,300—OXY, Lyngby, Denmark. Experimental.  
 19.63 15,280—W2XE, Jamaica, N. Y.  
 19.66 15,250—W2XAL, New York, N. Y.  
 19.72 15,210—W8XK (KIKKA) Pittsburgh, Pa. Tues.,  
 Thu., Sat., Sun., 8 a.m. to noon.

19.83 15,120—Valparaiso City (Rome).  
 19.89 15,000—CM6XJ, Central Talmen, Cuba.  
 —LSJ, Monte Grande, Argentina.

20.00 14,990—VK6AG, Perth, Australia.  
 20.50 14,620—WMI, Deal, N. J.  
 —XDA, Mexico City, 2:30-3 p.m.  
 20.70 14,480—W8XK, East Pittsburgh, Pa.  
 —GBW, Rugby, England.  
 —WNC, Deal, N. J.

20.80 14,320—VPO, Suva, Fiji Islands.  
 20.90 14,340—G2NM, Sounding-on-Thames, England. Sun-  
 days, 1:30-3 p.m.

20.97-21.26 14,300-14,100—Amateur Telephony.  
 21.00 14,280—"Radio-Maroc," Rabat, Morocco.  
 21.50 13,940—Bucharest, Roumania. 2-5 p.m. Wed.,  
 Sat.

21.59 13,890—Mombasa, East Africa.  
 22.20 13,500—Vienna, Austria.  
 22.38 13,400—WND, Deal Beach, N. J. Transatlantic  
 telephony.

—G21V, S.S. "Majestic."  
 —G2GN, S.S. "Olympic."  
 22.50 13,325—OBE, La Punta, Peru. Time Signals 2 p.m.  
 —"Radio-Maroc," Rabat, Morocco, 8-9  
 a.m. Tues., Thurs., Sat.

*All Schedules Eastern Standard  
 Time: Add 5 Hours for Greenwich  
 Mean Time.*

**Kilo-Meters cycles**  
 23.35 12,850—W2XO, Schenectady, N. Y. Antipodal  
 program 9 p.m. Mon. to 3 a.m. Tues.;  
 noon to 5 p.m. on Tues., Thurs. and Sat.  
 General Electric Co.  
 —W6XN, Oakland, Calif.  
 —W2XCU, Ampere, N. J.  
 —W2XDO, Ocean Gate, N. J.  
 —W9XL, Anoka, Minn., and other experi-  
 mental relay broadcasters.

23.70 12,650—CJA, Drummondville, Canada.  
 24.41 12,280—GBU, Rugby, England.  
 24.46 12,250—FTM, Ste. Assise (Paris) France. Works  
 Buenos Aires, Indo-China and Java. On  
 9 a.m. to 1 p.m. and other hours.

—K1XR, Manila, P. I.  
 —GBS, Rugby, England.

24.63 12,280—Airplane.  
 24.68 12,130—GBS, Rugby, England. Transatlantic phone  
 to Deal, N. J. (New York).  
 —FQO, FQE, Ste. Assise, France.

24.89 12,045—WAA, Arlington, Va. Time signals, 8:55-  
 9 a.m., 9:55-10 p.m.

24.98 12,000—FZG, Salgon, Indo-China. Time Signals,  
 2-2:05 p.m.  
 —Oporno, Portugal.

25.10 11,945—KKQ, Bolinas, Calif.  
 25.24 11,880—W8XK (KDKA) Pittsburgh, Pa. Tues.,  
 Thu., Sat., Sun., noon to 5 p.m., and Sat.  
 night Arctic programs. Television Mon.  
 and Fri. 2:30 p.m., 60 lines, 1200 r.p.m.  
 —W9XF, Chicago (WENR).

25.34 11,840—W2XJ, Jamaica, New York (WABC).  
 25.36 11,820—K1XR, Manila, P. I., 5-6 p.m., 11-15 a.m.,  
 12-15 p.m., 2-4 a.m., and (except Monday)  
 5-10 a.m.

—Calcutta, India.  
 25.40 11,810—IGRO, Prato Smeraldo (Rome), Italy.

(NOTE: This list is compiled from many sources,  
 all of which are not in agreement, and which show  
 greater or less discrepancies; in view of the fact that  
 most schedules and many wavelengths are still in an  
 experimental stage; that daylight time introduces con-  
 fusion and that wavelengths are calculated differently  
 in many schedules. In addition to this, one experi-  
 mental station may operate on any of several wave-  
 lengths which are assigned to a group of stations in  
 common. We shall be glad to receive later and more  
 accurate information from broadcasters and other trans-  
 mitting organizations, and from listeners who have  
 authentic information as to calls, exact wavelengths and  
 schedules. We cannot undertake to answer readers who  
 inquire as to the identity of unknown stations heard,  
 as that is a matter of guesswork; in addition to this,  
 the harmonics of many local long-wave stations can be  
 heard in a short-wave receiver.—EDITOR.)

25.42 11,800—UOR2, Vienna, Austria. Tues. 9-11 a.m.;  
 Wed. 5-7 p.m.; Thurs. 5-7 a.m.

25.73 11,750—GSSW, Chelmsford, England. 7:30-8:30 a.m.  
 and 2-4 p.m. except Saturdays and Sundays.

25.60 11,670—K10, Kahulu, Hawaii.  
 25.60 11,530—CGA, Drummondville, Canada.  
 25.10 11,490—GBK, Rugby, England.

26.20 11,410—K1XR, Manila, P. I., 11:15-12:15 p. m.,  
 2-4 a.m., 5-10 a.m.

25.22 11,435—DHC, Nauen, Germany.  
 25.60 11,280—IBDK, Brussels, Belgium.  
 26.70 11,230—WSBN, S.S. "Leviathan" and A. T. &  
 T. telephone connection.

—IBDK, S.S. "Elettra," Marconi's yacht.  
 27.30 10,980—ZLV, Wellington, N. Z. Tests 3-8 a.m.  
 27.75 10,800—GBX, Rugby, England.  
 28.00 10,710—CTIBO, Lisbon, Portugal.

—Casablanca, Morocco.  
 28.20 10,630—PLR, Bandong, Java. Works with Hol-  
 land and France weekdays from 7 a.m.;  
 sometimes after 9:30.

28.41 10,510—WLO, Lawrence, N. J.  
 28.50 10,510—RDRL, Leningrad, U.S.S.R. (Russia)  
 —VK2E, Sydney, Australia. 1-7 a.m.

28.80 10,410—PCK, Kootwijk, Holland.  
 28.86 10,390—GBX, Rugby, England.  
 28.97 10,350—LSX, Buenos Aires, Argentina. Testing,  
 8-10 p.m. Transradio Internacional, San  
 Martin 329, Buenos Aires.

29.00 10,310—Paris, France. 1:30-3 p.m. daily; 9  
 a.m. Sundays.

29.50 10,160—HS2PJ, Bangkok, Siam. Sun., Tues., Fri.,  
 8-11 p.m.

29.98 10,000—CM2LA, Havana, Cuba.  
 —Belgrade, Yugoslavia. Monday 3-1 p.m.

30.15 9,910—GBU, Rugby, England.  
 30.20 9,930—W2XU, Long Island City, New York.  
 —Posen, Poland.

30.70 9,890—LSN, Buenos Aires, phone to Europe.  
 30.50 9,830—NRH, Heredia, Costa Rica. 5-8 and 10-  
 11 p.m. Amanda Céspedes Marin, Apar-  
 todo 10.

30.64 9,790—GBW, Rugby, England.  
 30.75 9,750—Agen, France. Tues. and Fri., 3 to  
 4:15 p.m.

—WNC, Deal, N. J.  
 31.10 9,640—7LO, Nairobi, Kenya, Africa. 11-00 a.m.  
 to 2 p.m. Relays GSSW, Chelmsford, fre-  
 quently from 2 to 3 p.m.

—Monte Grande, Argentina, works Nauen  
 irregularly after 10:30 p.m.

31.23 9,600—LGN, Bergen, Norway.  
 31.26 9,590—PCL, Bilthoven (Elthoven) Holland. Wed.  
 5-9 p.m.; Thu. 7-9, 11-12 p.m.; Fri. 7-9  
 p.m., 1-4 a.m. Sat. 1-7 a.m., N. V.  
 Philips Radio.

—K1XR, Manila, P. I.  
 31.28 9,580—W3XAU, Byberry, Pa., relays WCAU daily.  
 —VPO, Suva, Fiji Islands.

**Meters Kilo-cycles**  
 31.35 9,570—W1XAZ, Springfield, Mass. (WBZ).  
 31.36 9,560—Konigswusterhausen, Germany. 10 to  
 11 a.m., 11:30 a.m. to 2:30 p.m., and 3 to  
 7:30 or 8:30 p.m. Relays Berlin.  
 —NAA, Arlington, Va.  
 —K1XR, Manila, P. I.  
 —ZL2XX, Wellington, New Zealand.

31.48 9,530—W2XAF, Schenectady, New York. Mon.,  
 Tues., Thurs. and Sat. nights, relays WGY  
 5:30-11 p.m., daily. General Electric Co.  
 —W9XA, Denver, Colorado. Relays KOA.  
 —Helsingfors, Finland.

31.56 9,500—O27RL, Copenhagen, Denmark. Around  
 7 p.m.  
 —VK3ME, Melbourne, Australia.

31.60 9,490—OXY, Lyngby, Denmark. 1 p.m.  
 31.70 9,460—Radio Club of Buenos Aires, Argentina.  
 31.80 9,430—Posen, Poland. Tues. 1:15-4:45 p.m.;  
 Thu. 1:30-8 p.m.

32.00 9,375—EH9OC, Interne, Switzerland. 3-5:30 p.m.  
 —O27MK, Copenhagen, Denmark. Irregular  
 after 7 p.m.  
 —SUZ, Melbourne, Australia.

32.06 9,350—CM2MK, Havana, Cuba.  
 32.13 9,330—CGA, Drummondville, Canada.  
 32.40 9,350—GBK, Bodmin, England.

32.50 9,230—FL, Paris, France (Eiffel Tower) Time  
 signals 4:50 a.m. and 4:55 p.m.  
 —VK2BL, Sydney, Australia.

32.59 9,200—GBS, Rugby, England. Transatlantic phone.  
 32.80 9,110—SUS, Cairo, Egypt.  
 33.26 9,010—GBS, Rugby, England.

33.81 8,872—NPO, Cavite (Manila) Philippine Islands.  
 Time signals 9:55-10 p.m.  
 34.00 8,820—VK2UZ, Sydney, Australia.

34.50 8,690—W2XAC, Schenectady, New York.  
 —HKF, Bogota, Colombia.

34.68 8,650—W2XCU, Ampere, N. J.; —W9XL, Chicago.  
 —W3XE, Baltimore, Md. 12:15-1:15 p.m.,  
 10:15-11:15 a.m.

—W2XAV, Long Island City, N. Y.  
 —W8XAG, Dayton, Ohio.  
 —W6XN, Oakland.  
 —W4XG, Miami, Fla.  
 —And other experimental stations.

34.74 8,630—W00, Deal, N. J.  
 —W2XDO, Ocean Gate, N. J.

35.00 8,570—RB15, Khatausk, Siberia. 5-7:30 a.m.  
 35.02 8,560—G2GN, S.S. "Olympic."  
 —G21V, S.S. "Majestic."

35.34 8,440—G2AA, shore-to-ship phone.  
 35.48 8,450—WSBN, S.S. "Leviathan."  
 36.00 8,330—3KAA, Leningrad, Russia. 2-6 a.m., Mon.,  
 Tues., Thurs., Fri.

36.74 8,160—Mombasa, East Africa.  
 37.02 8,100—EATH, Vienna, Austria. Mon. and Thurs.  
 5:30 to 7 p.m.

—J1AA, Tokyo, Japan. Tests 5-8 a.m.  
 —WASJ, Bangkok, Siam. Sunday 8-10 a.m.

37.36 8,030—NAA, Arlington, Va. Time signals 8:55-9  
 a.m., 9:55-10 p.m.

37.43 8,015—Airplanes.  
 37.65 7,980—VK2ME, Sydney, Australia.  
 37.80 7,930—DOA, Doerflitz, Germany. 1 to 3 p.m.  
 Reichpostzentralamt, Berlin.

—VPO, Suva, Fiji Islands.  
 38.20 7,830—PDV, Kootwijk, Holland. after 9 a.m.  
 38.30 7,770—FTF, Ste. Assise, France.

39.15 7,600—PCK, Kootwijk, Holland. 9 a.m. to 7 p.m.  
 39.16 7,600—TL, Ste. Assise.  
 39.70 7,550—S.S. "Bremer".

—HKF, Bogota, Colombia. 5-7 p.m., 11 p.m.-  
 1 a.m.

40.00 7,500—"Radio-Touraine," France.  
 40.20 7,460—YR, Lyons, France. Daily except Sun.,  
 10:30 to 1:30 a.m.

40.50 7,410—Eberswalde, Germany. Mo., Thu. 1-  
 4 p.m.

41.00 7,310—"Paris, France ("Radio Vitus") Tests.  
 —Moscow, U.S.S.R. 7:45 a.m.

41.16 7,230—DOA, Doerflitz, Germany.  
 41.50 7,220—HBD9, Zurich, Switzerland. 1st and 3rd  
 Sundays at 7 a.m., 2 p.m.

41.70 7,190—VK6AG, Perth, West Australia. Between  
 7:30 and 10 a.m.  
 —E9RS, Canary Islands (Spain). Testing  
 7-9 p.m.

42.12 7,120—O27RL, Copenhagen, Denmark. Irregular.  
 Around 7 p.m.

42.59 7,060—Lilakov Islands (North of Siberia).  
 42.70 7,020—EAR125, Madrid, Spain. 6-7 p.m.  
 42.80 7,000—F8KR, Constantin, Algeria.

43.00 6,980—EAR 110, Madrid, Spain. Tues. and Sat.,  
 5:30 to 7 p.m., Fri. 7 to 8 p.m.

—CT1AA, Santos, Portugal. Friday, 4-5 p.m.  
 43.60 6,900—IMA, Rome, Italy. Sun., noon to 2:30 p.m.  
 43.65 6,515—W00, Deal, N. J.  
 —W4XG, Miami, Fla.

46.70 6,425—W2XCU, Ampere, N. J.; —W9XL, Anoka,  
 Minn.; and others.

47.00 6,380—CT3AG, Funchal, Madeira Island. Sat.  
 5-7 p.m.

—HC1BR, Quito, Ecuador, 8-11 p.m.  
 47.35 6,335—W10Z, Airplane Television.  
 —VESAP, Drummondville, Canada.  
 —Casablanca, Morocco.

—"Radio-Maroc," Rabat, Morocco  
 48.00 6,250—K10, Kahulu, Hawaii.  
 48.30 6,205—HKC, Bogota, Colombia. 9:45-11:30 p.m.  
 48.62 6,170—HRB, Tuguegaipa, Honduras. 2-12 p.m.,  
 Mon., Wed., Fri., Sat. Int. S. W. Club  
 program. Sat. 11:30-12 p.m.

48.74 6,155—W9XAL, Chicago, Ill. (W3AC) and Air-  
 planes.  
 —V9CL, Winnipeg, Canada.

48.83 6,110—K1XR, Manila, P. I. 3-4:30, 5-9 or 10  
 to 11-2:30 a.m. Sundays.

—W8XK, East Pittsburgh, Pa. Tu., Thu.,  
 Sat., Sun., 5 p.m. to midnight.

(Continued on page 446)

# WHY NOT GRASP SUCCESS?

## Study radio in your spare time at home



*RCA Institute students get first-hand knowledge and training . . . and get it complete.*

**A**RE you satisfied with the position you now hold? Do you feel that you're worth more money? Are you pleased with yourself, your work, your associates . . . and your future? What does next year hold for you . . . and the year after that?

Are you content to merely plod along through the best years of your life . . . or do you want to get into far pleasanter work . . . meet more interesting people . . . and hold a well paid position?

The ambitious man ties his future to an industry that's developing rapidly . . . that's going *up and up!* Your life lies before you . . . will it be a losing game or a profitable adventure? . . . Will you GROW with a GROWING BUSINESS or will you waste your life and opportunities in an industry that is already fighting a losing battle?

If you are looking for a REAL opportunity . . . if you want to make the most of your life . . . to grasp the success that should be yours, *then we say to you, "Study Radio."*

Everyone knows that Radio is the fastest growing industry in the world today . . . countless opportunities are waiting for men who have the training and ability to grasp them. Where have you heard of any business that has developed as fast as this? Radio needs *trained* men and needs them NOW! *Think of the future Radio offers you!*

You can easily obtain the training you need under the direction of RCA Institutes, a division of Radio Corporation of America, which thoroughly trains men in every branch of radio and also assists them in obtaining employment. You learn radio by actual experience on the very latest types of radio equipment. You study under the direction of nationally known experts. You can learn all about radio servicing and selling, ship operating, shore station operating, radio telephony and telegraphy, and airplane radio equipment . . . also instruction in sound motion picture installation, maintenance and repair!

### *Study at Home in Your Spare Time*

The RCA Institutes complete Home Laboratory Training Course gives you all you need to know about radio. The lessons are of absorbing interest . . . easy to learn. You rapidly progress, step by step . . . and you receive absolutely free the complete RCA Institutes Laboratory Equipment, a modern outlay of apparatus furnished to every student . . . enabling you to easily solve radio problems. This is the way for you to acquire, in your spare time, the commercial knowledge and ability that command good pay.

### *Home Training Course By America's oldest and foremost Radio training organization*

This home training course and free laboratory equipment are backed by more than 20 years' experience. A signed agreement by RCA Institutes assures you of absolute satisfaction . . . furthermore, if after taking this course you are not satisfied in every way, your money will promptly be returned to you

### *Read this free book*

Everything you want to know about Radio . . . Describes in detail the home training that has placed thousands of men in good paying positions. Forty fascinating pages of pictures and text all about radio.

RCA INSTITUTES, Inc.  
Dept. NP-1  
75 Varick St., New York, N. Y.

Gentlemen: Please send me your big FREE 40-page book which tells about the many opportunities in Radio and about your famous laboratory method of radio instruction at home.



**Mail this coupon NOW . . . start on the road to success in radio TODAY!**

Name \_\_\_\_\_  
Address \_\_\_\_\_  
Occupation \_\_\_\_\_



# READ HOW YOU CAN DO IT

## Study radio in the finest equipped schools in America

In order to make it easy for you to study radio, RCA Institutes has opened six completely equipped schools throughout the country . . . at New York, Chicago, Boston, Baltimore, Philadelphia and Newark, N. J. Each of these six schools has the very last word in radio equipment. They all offer exactly the same training in day or evening classes . . . you study under the personal direction of RCA experts. In this way you learn at the very heart of radio itself, because you study under the direction of RCA . . . the great corporation that sets the standards for the entire radio industry. The very progress of radio is measured by the achievements of the famous engineers in the great research laboratories of the Radio Corporation of America.

*You get commercial training that prepares you for success in radio.*



That's what RCA Institutes does for you . . . that's the kind of training you want . . . the practical, thorough knowledge that you need for success in radio.

*Only training course sponsored by Radio Corporation of America*

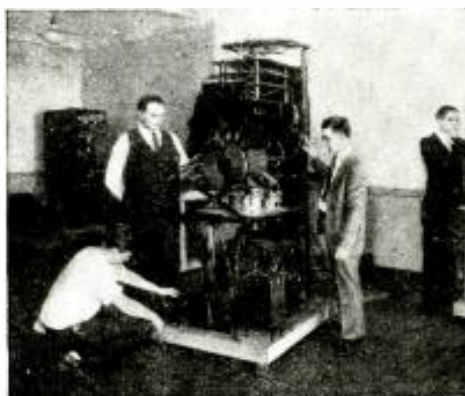
Graduates of these schools are thoroughly posted in all the very latest developments, the newest inventions and greatest discoveries in radio, because they study in the finest equipped schools in America.

### Opportunities for Trained Men

Graduates frequently obtain positions shortly after graduation. Every graduate receives the thorough training that gives him the knowledge and the confidence to hold a good paying position.

*Come in today . . . See for yourself!*

Step into the nearest school and then you will know why it is that thousands of men have acquired the training that has enabled them to occupy well paid positions in radio. Meet the instructors, talk to the students, examine the equipment . . . convince yourself . . . See what radio can offer you, and what RCA Institutes can DO for you. We will be glad to meet you . . . glad to explain everything . . . to show you everything . . . without the slightest obligation on your part! Come in today and get a copy of our free book, or send for it by mail. See what our course has done for others and what it can do for you!



Send this coupon to the school most convenient for you to attend.

## RCA INSTITUTES, INC.

*A division of Radio Corporation of America*

RCA Institutes, Inc., operates resident schools, giving day and evening classroom instruction in the following cities. Mail the coupon to or call at the institute most convenient to you.

- 222 North Bank Drive, Chicago
- 75 Varick Street, New York
- 899 Boylston Street, Boston
- 1211 Chestnut Street, Philadelphia
- 560 Broad Street, Newark, N. J.
- 1215 N. Charles Street, Baltimore

RCA INSTITUTES, Inc.  
Dept. NP-1

Please send me catalog describing your resident school (classroom) instruction.

Name.....

Address.....

Occupation.....



### BOARD OF MANAGERS OF RCA INSTITUTES, Inc.

The names of these men are known throughout the world as the greatest names in radio. Their experience will guide you in your training

Chairman of the Board  
**GENERAL JAMES G. HARBORD**  
Chairman of the Board  
Radio Corporation of America

President  
**RUDOLPH L. DUNCAN**

Vice-President  
**F. R. BRISTOW**

**WILLIAM BROWN**  
Vice-President and General Counsel  
Radio Corporation of America

**W. A. WINTERBOTTOM**  
Vice-President  
RCA Communications, Inc.

**CHARLES J. PANNILL**  
Vice-President  
Radiomarine Corporation of America

**GEORGE S. DE SOUSA**  
Treasurer, Radio Corporation of America

**E. A. NICHOLAS**  
President, E. A. NICHOLAS, Inc.

**A. E. ROECH**  
Vice-President, RCA Photophone, Inc.

**CHARLES HORN**  
General Engineer  
National Broadcasting Company

ALASKA  
CANADA  
GREENLAND  
MEXICO  
COSTA-RICA  
GUATAMALA  
HONDURAS  
PANAMA  
SALVADOR  
BERMUDAS  
CUBA  
WEST INDIES  
HAITIAN  
REPUBLIC  
COLOMBIA  
GUIANA  
VENEZUELA  
ARGENTINA  
BRAZIL  
URAGUAY  
BOLIVIA  
CHILE  
ECUADOR  
ENGLAND  
IRELAND  
FRANCE  
BELGIUM  
GERMANY  
HUNGARY  
SWITZERLAND  
POLAND  
RUSSIA  
GIBRALTAR  
ITALY  
PORTUGAL  
SPAIN  
BULGARIA  
RUMANIA  
TURKEY  
ARABIA  
PERSIA  
INDIA  
CEYLON  
JAVA  
PHILIPPINE  
ISLAND  
SIAM  
CHINA  
JAPAN  
ALGERIA  
EGYPT  
MOROCCO

# The Greatest Thrill in Radio . . .

## WORLD WIDE SHORT WAVE RECEPTION



### The Best Short Wave Reception Unit

# • PILOT Super-Wasp

(A. C. OR D. C. SHORT WAVE KIT—14 TO 500 METERS)

It is not only home set builders who are buying the thousands of Super-Wasps Pilot is shipping every week. The fellows who relay messages all over the world for the sheer joy of it—the *Licensed Radio Amateurs*—are also adopting Super-Wasp as their official outfit for receiving broadcasts, talk and code.

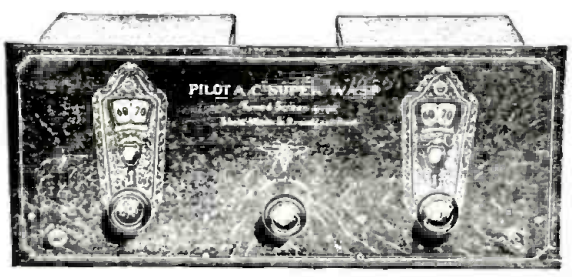
These experts, who developed short waves before any manufacturer knew anything about them, know why Super-Wasp is superior. They are convinced that the feature Pilot pioneered of putting a Screen Grid, TRF stage ahead of the detector gets more stations than their own old straight regenerative sets. They know too that in a few hours they can produce a neater receiver for their operator's table with the inexpensive Super-Wasp Kit than if they bought expensive separate parts and experimented till they worked right.

You can tell a leader by how many followers he has. Pilot Super-Wasp's success is proved by its many imitators. Remember, Pilot Super-Wasp covers from 14 to 500 meters, giving you practically all the regular broadcasting channels as well as short waves. And don't overlook the fact that Pilot products are known *personally* to more users throughout the world than any others and that every single Pilot product is made in the largest factory in the world owned and operated by a radio manufacturer.

BATTERY SETS  
IN KIT FORM

## \$29.<sup>50</sup>

Kit K-110: The battery-operated Super-Wasp. Batteries and Tubes extra.



A. C. SETS  
IN KIT FORM

## \$34.<sup>50</sup>

Kit K-115: The A.C. Super-Wasp. Use your own ABC pack or Pilot K-111, specially designed for the Super-Wasp. Power Pack and Tubes extra.

PILOT RADIO & TUBE CORP.  
OFFICES IN PRINCIPAL COUNTRIES  
OF THE WORLD



FACTORIES: LAWRENCE, MASS.  
Chicago Office 234 S. Wells Street  
San Francisco Office 1278 Mission Street  
New York Office—525 Broadway

# PILOT SUPER-WASP RADIO

FOR LONG AND SHORT WAVE RADIO RECEPTION



# New Radio Devices for Shop and Home

(Continued from page 404)

used for determining the polarity of even very small voltages.

For continuity tests, three pin jacks are provided at the lower right of the panel; one pair for high, and one for low resistances. The battery is protected beneath a metal plate.

One of the most interesting and important parts of the "Model 90" is the universal analyzer plug, which is approximately the size of a '99 tube; making it very convenient for tests on "midget" or "mantel-piece" receivers, where very compact tube arrangements are encountered. By an ingenious snap-catch arrangement, the adapters used in analyzing become virtually a part of the plug itself, and will not pull loose on removal from a tight socket. All connections are brought into the set analyzer through the same seven-wire cable.

## A NEW ARTIFICIAL CRYSTAL

By Dr. F. Noack (Berlin)

A DETECTOR of unusual sensitivity, as crystals go, has been found by a German scientist, Dr. Erich Habann, in cuprous iodide (a salt of copper—*CuI* in chemical parlance) which is pressed into a metal cup to form a solid substance. For a "cat-whisker," a metal needle is forced into contact with the iodide; and aluminum, zinc or lead has been found better for this purpose than, say, copper. The explanation is that a pure electric current is composed only of electrons; but, where the materials of a substance are able to move, electrolytically, there are also positive ions in motion. When, therefore, a copper wire was placed in contact with the iodide, the detecting action was very sensitive; however, this fell off, and

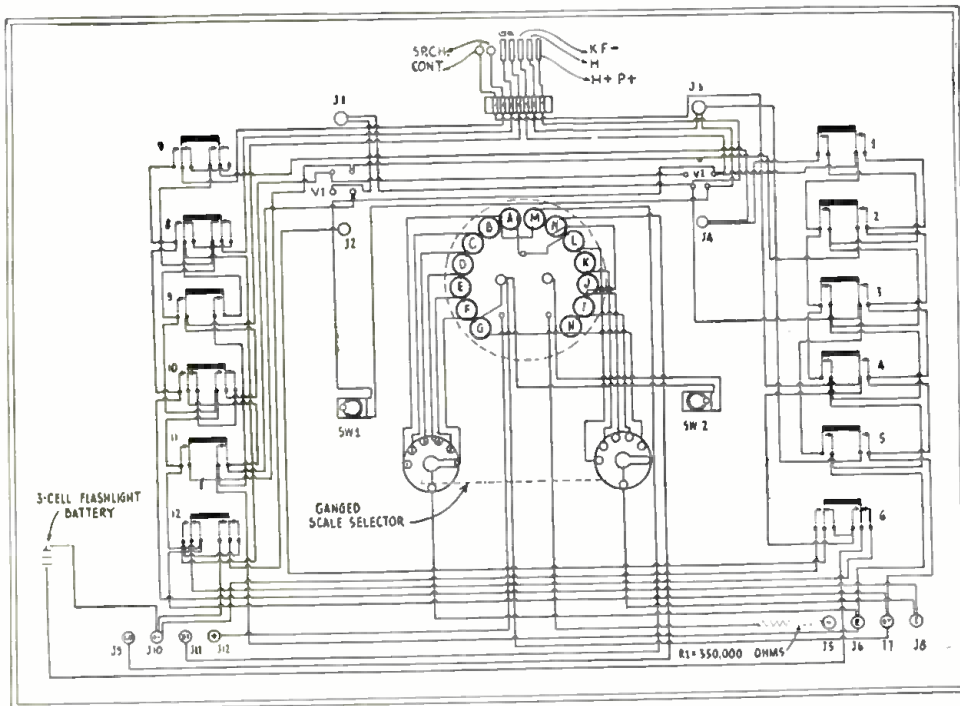


Fig. 1

Supreme "Model 90" circuit. Ohmic values: (multipliers) A, 1000; B, 6000; C, 21,000; D, 60,000; E, 210,000; F, 600,000; M, 1500; N, 40.5 (shunts) G, 11.1; H, 259; I, 74; J, 259; K, 740; L, 2220.

In addition to measuring screen-grid current and pentode current, the "Model 90" tests helium (non-filament) rectifier tubes, and measures not only resistances and capacities, but the reactances of choke coils from 2 to 100 henries. It may be used as an output meter on any type of radio receiver, being adaptable for output impedances ranging from 1000 to 35,000 ohms.

"Model 90" weighs only six pounds and is only 4 1/4 in. x 9 1/4 in. x 11 1/4 in. in size. It is enclosed in a beautifully finished carrying case, available either in pecan or natural walnut finish, or covered with high-grade leather-grained material. Slip hinges are provided for easy removal of the cover.

A testimony to the simplicity, flexibility and efficiency of this instrument for the Service Man is found in the fact that it has been adopted by the R.C.A. Institutes for the use of its students who are taking courses in radio servicing.

it was evident that ions were accumulating between the metallic copper and the iodide. This effect did not result with lead, aluminum and zinc; but it did with molybdenum, tungsten and platinum. The difference is due, undoubtedly, to the atomic constitution of these metals as it affects their electric nature. (Reported in *Zeitschrift fur technische Physik*.)

## A CHECKER FOR ALL TUBES

NOT only the better known standard makes of tubes, but the newest models, are provided for in the shop testing instrument shown in the illustration; the "Model 10" Van Horne-Flewelling tube checker. It has been designed to take care of pentodes, as well as the single-screen-grid types, and the '80 double-plate or the "866" mercury rectifier; and it has heater leads for Kellogg and other special tubes. The instrument is attached by screws to counter or wall,



*de Forest*  
AUDIONS

RADIO TUBES

# What are 1931 Tubes?

IT'S easy to identify 1931 tubes among the general run of tubes. Meters and claims soon separate the sheep from the goats. And if you would save time and trouble, you can safely follow these 1931 tube specifications:

**Positive Characteristics**—doubling diameter of support wires, better bracing, tightened tolerances.

**Improved Tone Quality**—greater rigidity for minimum microphonic effects and suppression of distortion due to undesirable regeneration.

**Quick Background**—deForest research into causes of hum and crackle resulted in reducing noise level to one-fiftieth former standard. Also lower gas content due to special deForest exhaust units.

**Long Service Life**—improved filaments, cathode insulators and emitters insure full thousand hours of peak efficiency, with two to three thousand hours of tapering efficiency.

**Greater Volume**—increased mutual conductance in power tubes, yet fully interchangeable with usual tubes.

**Quick Heating**—averaging 10 seconds, yet without sacrificing life, reliability, quiet operation, because of patented deForest notched cathode insulator.

**Higher R.F. Amplification**—60 instead of 30 per stage with screen-grid tubes, together with maximum stability.

The foregoing 1931 radio tube features are not to be found in tubes produced six months ago, much less those a year or two old, taken from large inventories. But deForest research and engineering, rapidly translated into everyday terms by a production geared to demand, brings these features to you in your service work, in the form of fresh

*de Forest*  
AUDIONS

RADIO TUBES

DE FOREST RADIO CO.

Passaic, New Jersey





Fig. C

The Van-Horne-Flewelling tube checker for shop use.

as found most convenient, and operated by standard 60-cycle current, 110 or 115 volts.

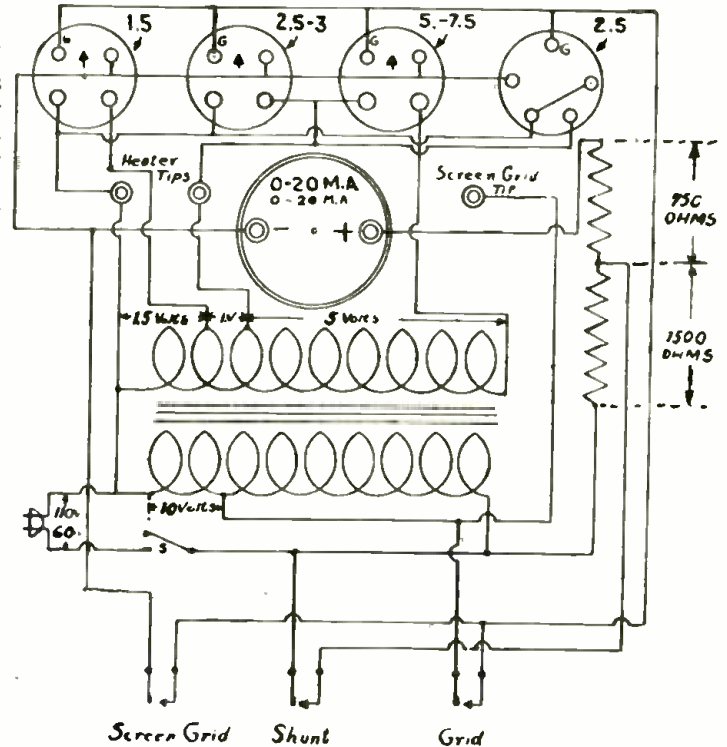
Readings, for the different tube types, are taken first without and then with the "Grid Test" button depressed; the standard differences in plate current readings which may be expected (as engraved on the panel for reference) are:

Tube	Ma.	Dif.	Tube	Ma.	Dif.	Tube	Ma.	Dif.
'99	1.0		D'12	3.0		'10	7.0	
'22	1.1-2.1		'40	3.0		'12	8.0	
'20	2.0	Kardon	'45	5.0		'26	8.0	
'45	2.0		'01A	5.0		'27	9.0	
'71	2.5		'00A	3.0		'50	7.0	

A normal tube, say the manufacturers, may be allowed 15% variation from the standard reading; any tube exceeding this tolerance should be considered inferior. The sockets, reading from left to right, are for '26 and 1.1-volt tubes; 3-volt battery and the UX-45 A.C. tubes; 5- to 7.5-volt UX tubes; and 2.5-volt (heater-cathode) UY tubes, respectively; the connections will be seen in the diagram. On the '71 and the '45, as well as the '70 tubes, readings are taken without pressing the shunt button used for the others. The '80 tubes are rated at 11 and 15 ma.; the second plate is tested by pressing the screen-grid-test button.

Fig. 3

The fundamental circuit of the tube checker; external connections also permit readings of 0-20 milliamperes, 0-20 and 0-400 volts on the meter scale. In case of a short-circuit between tube elements, the fact is indicated without damage to the checker.



# What's NEW in RADIO?

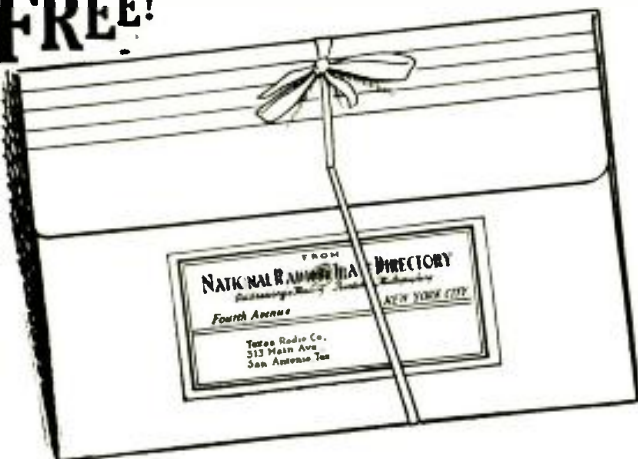
How would you like to be posted on the new things and new developments in radio, just as soon as they come out? How would you like to receive mail from the country's leading radio manufacturers, wholesale radio mail order houses and publishers in the radio industry? How would you like to have access to the most complete radio data files ever compiled, containing all the important facts in every phase of radio progress? How would you like to receive regularly, catalogs, folders, circulars, price lists, bulletins, samples galore, etc., keeping you in close touch with the happenings in the radio industry for an entire year? This is only part of our complete service to you.

Would you like to locate a manufacturer of a certain product? Would you like to know the name of a jobber near you handling some particular item you may be interested in? Let us solve these questions for you.

No live radio dealer, fan, amateur, experimenter or professional can afford to be without our comprehensive service. Our business is the nerve center of the radio industry, reaching out everywhere, collecting data from every available source,

## This Handy Practical Portfolio

FREE!



Every subscriber to our service receives a 10 by 12-inch accordion portfolio made of a durable material, in which to save the valuable data we send you.

maintaining the most complete service of its kind in the world.

You will realize that the amount we spend for postage alone does not cover the charge for our service. The \$1 subscription fee barely pays the necessary expenses entailed in mailing. A subscription to our service will actually save you many times the small cost of \$1.00.

If there is any additional information you may require before subscribing, write for further details.

all \$1 for 1

Just Pin Dollar Bill to this form, fill in and Mail at once!

Date.....

**NATIONAL RADIO TRADE DIRECTORY,**  
303 Fourth Avenue, New York.

Gentlemen:

Enclosed please find \$1.00 for one year's subscription to your "Big Mail" and "Radio" Information Service. It is understood that you are to put my name on your stencil list to receive mailings, including catalogs, bulletins, price lists, samples, etc. I am also to receive free a 10 by 12 inch accordion portfolio.

NAME.....

ADDRESS.....

CITY..... STATE.....

RC-Jan. 1931



## Time Element in Servicing

(Continued from page 392)

start. Of course, if the trouble is caused by a bad tube, which can be detected by simple replacement, removal of the chassis is not necessary; but, if the trouble is such that "pulling" the chassis will be necessary, it might just as well be "pulled" at the start. In this respect, we believe it more advantageous to remove a chassis than to fumble with set analyzer plugs when the sockets are located in the innermost depths of the console cabinet.

Of what value is it to make a complete test of receiver voltages by means of a set analyzer or other device with the chassis in place, and a subsequent test after the chassis has been removed? In view of the possible troubles which might exist—yet not become evident during a test of receiver voltages—we feel prone to suggest such a removal of the chassis, if the trouble is other than tubes. In connection with this procedure, which is a change from the usual routine, the modern set analyzer should contain a system whereby one can test the tubes without contact with the receiver. If it does not, a simple arrangement operating from the power mains should be an additional part of the test equipment.

This subject of the chassis is an interesting point, and we would appreciate comments from readers. Bear in mind the supplementary tube-testing equipment previously cited.

## Service Men's Notebooks

(Continued from page 393)

constant, the readings may be made with the same accuracy as at the lower frequency. Since very low potentials are encountered, the condensers need not be of high rating.

The potentiometer R is set at its center point, which is the zero potential of the filament circuit. The lamp, as will be seen, serves merely to cut down the supply of house current to the amount drawn by the tube; and it serves also as a ballast to keep the current flow smooth. A '12A type was selected for the tube, because of its efficiency at low filament voltages; it has a practically linear curve at this temperature, and, with its high thermal lag, it is best for this purpose. Select a good tube for the meter.

The meter should be of a good make; the main considerations are a long scale, easily read, and reliability. The instrument used by the writer is calibrated in microamperes—fifty divisions of 20 each. This makes it easier to read and tends to encourage greater accuracy. It is not advisable to make a new scale at home; if you must have one, let an experienced draftsman make it. It is not indispensable, but convenient.

The meter is calibrated by putting known A.C. voltages on the grid. During and after calibration, no part may be changed; this applies to the grid leak (2 or 3 megohms) across the input.

With this instrument, radio sets may be neutralized, and tuned circuits synchronized in the manner explained in all service manuals and data sheets; sensitivity at different frequencies may be measured, etc.

**PATENTS**  
**INVENTORS**

Write for these **FREE BOOKS!**

MY PATENT LAW OFFICES  
OPPOSITE  
U.S. PATENT OFFICE

At the left is a view of my drafting and specification offices where a large staff of experienced experts is in my constant employ. All drawings and specifications are prepared in my offices.

## Protect Your Ideas Take the First Step Today

If you have a useful, practical, novel idea for any new article or for an improvement on an old one, you should communicate with a competent Registered Patent Attorney AT ONCE. Every year thousands of applications for patents are filed in the U. S. Patent Office. Frequently two or more applications are made for the same or substantially the same idea (even though the inventors may live in different sections of the country and be entirely unknown to one another). In such a case, the burden of proof rests upon the last application filed. Delays of even a few days in filing the application sometimes mean the loss of a patent. So lose no time. Get in touch with me at once by mailing the coupon below.

### Prompt, Careful, Efficient Service

This large, experienced organization devotes its entire time and attention to patent and trademark cases. Our offices are directly across the street from the U. S. Patent Office. We understand the technicalities of patent law. We know the rules and requirements of the Patent Office. We can proceed in the quickest, safest and best ways in preparing an application for a patent covering your idea. Our success has been built on the strength of careful, efficient, satisfactory service to inventors and trademark owners located in every state in the Union.

### Strict Secrecy Preserved— Write Me in Confidence

All communications, sketches, drawings, etc., are held in strictest confidence in strong, steel, fire-proof files, which are accessible only to authorized members of my staff. Feel free to write me fully and frankly. It is probable that I can help you. Highest references. But FIRST—clip the coupon and get my free book. Do THAT right now.

### No Charge for Information on How to Proceed

The booklet shown here contains valuable information relating to patent procedure that every inventor should have. And with it I will also send you my "Record of Invention" form, on which you can sketch your idea and establish its date before a witness. Such evidence may later prove valuable to you. Simply mail the coupon and I will send you the booklet and the "Record of Invention" form, together with detailed information on how to proceed and the costs involved. Do this NOW. No need to lose a minute's time. The coupon will bring you complete information entirely without charge or obligation.

### Clarence A. O'Brien Registered Patent Attorney

Member of Bar of Supreme Court of the United States; Court of Appeals, District of Columbia; Supreme Court, District of Columbia; United States Court of Claims. Practice confined exclusively to Patents, Trademarks, and Copyrights



### CLARENCE A. O'BRIEN Registered Patent Attorney

3509 Security Savings and Comm'l Bank Bldg.,  
Washington, D. C.

— or —  
Suite 1100, Dept. K-5, Woolworth Bldg., New  
York City

Please send me your free book, "How to Obtain a Patent," and your "Record of Invention" form without any cost or obligation on my part.

Name .....

Address .....

(Important: Print or Write name clearly  
and address office nearest you)



# A-n-n-o-u-n-c-i-n-g S. Gernsback's Radio Encyclopedia

## Second Edition Completely Revised

**T**HE first edition of my Radio Encyclopedia—39,000 copies—is completely sold out. The first printing of this famous **First Encyclopedia of Radio** ever published has been totally consumed. A new edition is now in preparation. It will be issued in January, 1931.

This new edition will represent not only a complete revision of all the material in the first, but much valuable new information has been added, making the new volume about twice the size of the former.

A vast amount of new material has been collected and arranged, and is incorporated in the forthcoming edition. This new data covers all the momentous innovations and improvements in radio construction and technique which have developed since the first edition came off the press.

Some of the new subjects are:

**Short wave sets, circuits, coils, etc.**

**Receiving sets, all types; battery, A.C., D.C.; modern superheterodynes; home recording equipment.**

**Power supply systems; all types, including "B" eliminators and systems used in all types of A.C. and D.C. electric sets.**

**Television.** The latest development with complete descriptions of all types of apparatus and circuits.

**Sound Pictures and Public Address systems.** Complete circuits and descriptions.

**Transmitting systems.** Both short wave and broadcast.

**Testing Apparatus and Instruments.** Invaluable to the radio dealer and serviceman.

**Trouble Shooting in modern radio sets, thoroughly covered by text and pictures.**

And last but not least there has been added a section of important tables, indispensable to the radio constructor, serviceman, professional, designer, and amateur; among these tables will be found:

Complete vacuum tube characteristics.

Tables of voltages at different sockets in modern sets.

Resistors, and values employed in voltage dividers and how they are calculated.

Coil and condenser data, showing the size of coils required with different condensers for a given wave length band.

Voltage regulators—for fluctuating line voltages.

Wavelength and frequency conversion tables.

Power consumption of standard radio sets.

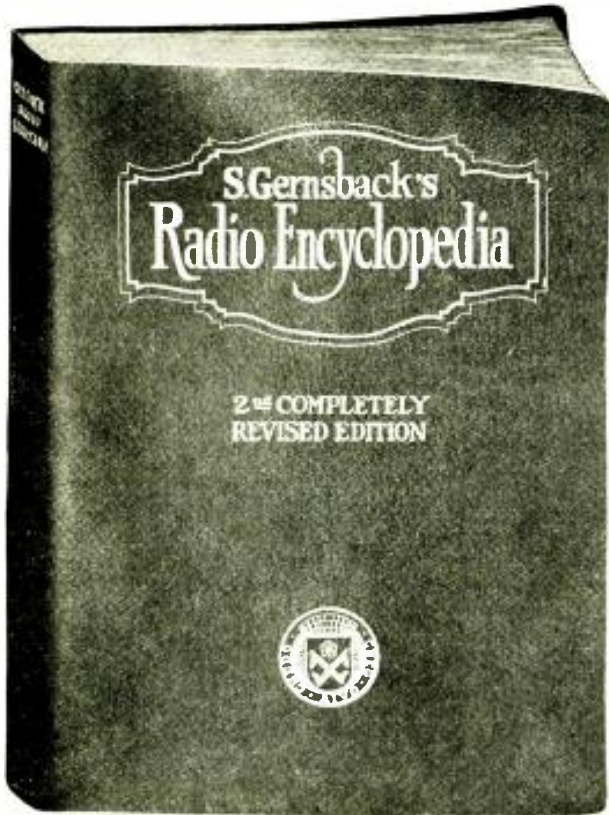
Sound absorption of different materials.

Condenser replacement table.

Wire tables.

Radio set table, listing all known receivers by makes, style numbers, types of sets, tubes used.

Etc., etc.



The new Radio Encyclopedia will be a book of the same size as the first edition—9 by 12 inches—printed on heavy durable paper. The number of pages is doubled. The binding will be in semi-flexible red morocco keratol, gold stamped, with marbled fly-leaves, and the text will be printed in large easily readable type.

### SPECIAL OFFER

The price of the second edition of S. Gernsback's Radio Encyclopedia will be \$3.98 upon publication; but as an inducement to those who wish to order the book now, a special pre-publication price of \$2.98 is being offered.

**This special offer will positively be withdrawn as soon as the book is issued in January 1931.**

The new book will be one of the biggest values ever offered. Thousands of the purchasers of the first edition declared that they could not see how such a voluminous, elaborately printed book could be produced and sold at so low a price. The second edition will represent three times as much value. **Money refunded without question if you are not satisfied!**

**EVERY SUBSCRIBER TO THIS PRE-PUBLICATION OFFER WILL HAVE HIS NAME STAMPED IN GOLD ON THE COVER OF HIS BOOK, AND HIS COPY WILL ALSO BE PERSONALLY AUTOGRAPHED BY THE AUTHOR.**

Use the coupon at left. Mail it now—not only to save money, but also to make sure that you get your book from the first printing, which will be limited.

Sidney Gernsback,  
98 Park Place,  
New York City.

I enclose herewith \$2.98, for which you are to send me postpaid the completely revised and enlarged second edition of:

**S. Gernsback's Radio Encyclopedia**

personally autographed by you, and with my name stamped in gold on the cover as per your special pre-publication offer.

I understand that this book will be published in January, 1931, and that this special offer will no longer be available once the book is issued.

Name.....  
(To be Gold Stamped—Print exactly to avoid mistakes)

Address.....

City..... State.....

RC-131

## Operating Notes

(Continued from page 394)

be the red carbon resistor in the first R.F. stage; shorting this out of circuit will often increase the volume of reception but, at the same time, decrease the selectivity of the receiver. If this resistor is open, replacement is the surest and safest method.

In the "32 DC" model, shorting the red resistor in the third R.F. stage may produce a marked increase of selectivity. Also, connecting a 0.5-mf. condenser from one side of the line to one of the R.F. line chokes will greatly improve clarity and volume.

Be careful of the metal-braid shielding which encases the aerial and grid leads of the first R.F. stages; a short to the shield here will cut off reception.

### Philco

Some time ago, fading in a Philco "65" was brought to the attention of the writer; the symptoms were alternate normal reception and fading, as often as every two minutes. Countless tubes were tried in the set; receiver and pack were thoroughly checked for continuity and voltages, and, after much work, it was found that the fading was accompanied by a lessened detector plate voltage, while other readings showed no marked decrease. The first A.F. transformer was being carefully watched when it was noted that pressure, put accidentally on the detector by-pass condenser, caused a similar decrease in voltage and the resultant fading. This condenser, a Dubilier .001-mf., is one of the type riveted together, and vibration had caused it to loosen. The remedy was replacement; and this accidental discovery led to clearing up several similar complaints.

In the Philco "87" neutrodyne, there are used some small tubular components, which seem to be condensers of a common type but, in reality, are both resistors and condensers (Fig. 4). The resistance is in an R.F. plate circuit; the condenser is its by-pass. If the resistor is open, there will be no plate voltage on that particular stage; but the Service Man who takes the unit for a mere condenser will be misled. If the condenser is shorted, there is a decrease of plate voltage at the power tube, and none at the R.F. plate; if it is open, oscillation in the circuit will occur.

### Freshman Sets and Packs

A few years ago, there was a very large sale of early Freshman electric models, which obtained general distribution; very little information for servicing them, however, was ever issued by the makers.

For this reason, power packs intended for different models were often mistakenly interchanged, and leads were therefore hooked up incorrectly. A recent case, which came to the writer's attention, was of this nature. Four '26 tubes were burned out, first, and then the power transformer; because the leads were wrong. To help reduce the number of accidents like this, the following codes are given:

Freshman "Equiphase," with "Model G-60-S" pack, has the following arrangement of its numbered terminals: 1, 2, A.C. 1½ volts; 3, 4, A.C. 2½ volts; 5, 6, A.C. 5 volts; 10, "B—"; 7, D.C. 45 volts; 8, D.C. 145 volts; 9, D.C. 225 volts.

Freshman "Masterpiece," with 15-volt



model pack: 1, 2, A.C. 5 volts; 3, 4, A.C. 15 volts; 5, D.C. 165 volts; 6, D.C. 90 volts; 7, D.C. 30 volts; 8, D.C. 9 volts positive on detector; 9, common negative grid return.

Freshman "Masterpiece" E.R.A.C. model, and pack: 2, 6, A.C. 5 volts; 1, 8, A.C. 2½ volts; 3, 4, A.C. 1½ volts; 9, "B-"; 5, D.C. 135 volts; 7, D.C. 50 volts.

The color code on this last combination is: 1, black; 2 yellow; 3, blue-white; 4, blue; 5, red; 6, orange-blue; 7, brown; 8, black-green; 9, green.

### Breaking Into Servicing

(Continued from page 399)

per week after you have worked up a fairly large clientele.

(4) The experience you get is first-hand, every job presenting a problem, and it is your business to solve the riddle.

(5) You are practically master of your own time, giving you opportunity for study or research to improve your technical knowledge.

(6) Finally, it will give you a thorough business training that will be most useful to you as time goes on.

There are many ways of getting started in the radio service business. You probably have ideas of your own along this line; but the methods I am about to relate have given very satisfactory results in a town with a population of 20,000.

First of all: when entering any business, you've got to let people know you are doing the work, and that they can depend upon you to do it. Of course you can "broadcast" this news around among your friends and relatives, and get some work; but this is not usually sufficient to work up a large clientele. You must advertise.

At this stage of your business career, your advertising must be as effective as it is possible for you to make it. Usually, experiment at this stage means waste of money. I have found a two weeks' advertising campaign, as follows, to be best.

Take one street each day for a week; walk the full length of the street, up one side and back the other, copying the numbers from the houses having aerials. Each evening you can look up the names of the persons living in those houses from the city or telephone directory. At the end of the week you will have a large mailing list, 100% of whom are radio users.

The next week you may send a typewritten post-card, similar to that reproduced below, to your mailing list. None of these cards will fall into the hands of anyone not having a radio set. Everyone receiving one will, sometime at least, be interested in its message. Therefore these cards should produce very good results.

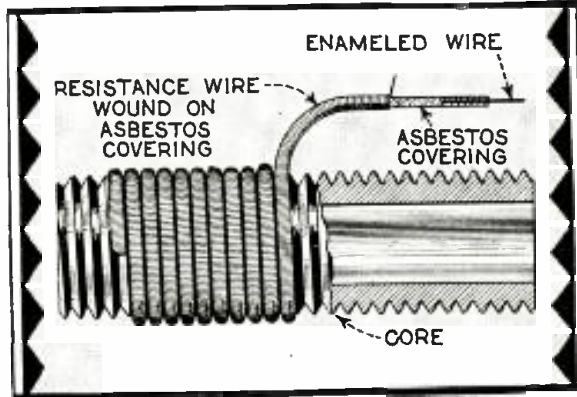
#### IS YOUR RADIO WEAK, SICK?

Don't throw it away. I'll put it back on "its feet" with more pep than it ever had. That's my guarantee. I am trained and experienced on all types and models of Radio sets. Call me NOW!

(Name and Address)

After you have obtained some results from the above method, a newspaper advertisement should be run. One in the classified section of your newspaper, giving a state-

# DOUBLE WINDING --



## An EXCLUSIVE TRUVOLT FEATURE

U. S. Pat. 1,676,869 and Pats. Pend.

### Better---For Power Pack Repairs

Experienced service men use ELECTRAD Resistors and Voltage Controls. They know their own reputation depends on quality work — and quality parts are essential.

TRUVOLT All-Wire Resistors have long been the expert's choice for eliminators and power packs. Their unique winding (illustrated above) insures maximum air-cooling, hence more stable operation and longer life.

#### Adjustable Sliding Clips Save Time and Money

The exclusive TRUVOLT Sliding Clip eliminates the need of carrying a large expensive stock of replacement resistors. Enables exact adjustment, easily and quickly, to any value within the total resistance range. Additional clips can be added as desired. TRUVOLTS are made in all usual sizes and ratings. Mail coupon for circular.

#### SPECIALISTS in LOFTIN-WHITE Direct-Coupled AMPLIFIERS

Three types, with '45, '50 and '50 push pull output for all usual requirements. Licensed under Loftin-White and R.C.A. Patents. Mail Coupon.

175 Varick St., New York, N.Y.

# ELECTRAD

INC.

ELECTRAD, INC., Dept. R.C.1,  
175 Varick St., New York, N. Y.

Please send data on items checked:

- Loftin-White Amplifiers  
 Truvolt Resistors  All Products

Name .....

Address .....

**KEEP POSTED ON RADIO PROGRESS**

Fill in and mail the coupon and 50c. and get your first copy of RADIO DESIGN, membership button, identification card and lithographed membership certificate.

### Join the Radio International Guild

... the international organization of 60,000 members which exchanges information, kinks and tips invaluable to experimenters, custom set builders and service men. Also — personal news of individual members together with short wave news and gossip from all over the world.

Members receive RADIO DESIGN—official organ of the guild, in which prominent radio writers tell of the progress being made in SHORT WAVES, TELEVISION and other new and interesting phases relating to the various applications of radio.

Four big issues yearly. Articles on new circuits and receivers with illustrations and working diagrams. The radio news of the world in interesting form.

RADIO INTERNATIONAL GUILD, Box RC-1, LAWRENCE, MASS.

Enclosed find 50 cents for which please enroll me as a member of the Radio International Guild and send me the button and Radio Design for one year.

Name .....

Address .....



## Dr. T. O'CONOR SLOANE Will Teach You at Home!

ANYONE WHO CAN READ AND WRITE can study Chemistry through our specially prepared course. You don't need a higher education, and you don't need any previous experience or preparation. Chemistry is not harder to understand than electricity or radio. Just plain sense and ordinary observation powers.

### Laboratory Outfit Free

THE COMPLETE CHEMICAL OUTFIT and APPARATUS supplied to you as part of our course, without extra charge, makes you the owner of a laboratory, containing all the materials and instruments used by a full-fledged chemist. This working kit, which is shipped to you at the outset of the course, becomes your permanent property. It is a sturdy fitted wooden cabinet containing over 100 pieces of laboratory apparatus and chemical supplies.

### We Can Teach You At Home

Our faculty knows just how to mold you into a skillful laboratory worker. THE HEAD OF OUR STAFF IS DR. T. O'CONOR SLOANE, scientist, engineer and author of wide repute. He has had more than fifty years of teaching experience. Our course fits you for an immediate position in a chemical laboratory, and you do not have to give up what you are doing now to learn it. During evenings and week-ends you can work at home on the fascinating experiments and the delightfully simple but comprehensive lessons.

### Big Money in Chemistry

CHEMISTS ARE WELL PAID MEN. Not only will our training help you to get a better job, but a worthwhile start on a new level. You can patent the work of your hands and your brain, and perhaps make millions of dollars on a new chemical discovery. Every day the newspapers and magazines are full of new items reporting new chemical discoveries—in mining, in electricity, in foodstuffs, in sanitary and medicinal appliances, in paper-making, rubber, steel, iron, dye-stuffs, textiles. In fact in every well known industry—and behind each of these discoveries stands a well-trained chemist who knew how to take advantage of opportunity!

### No Exaggerated Claims

THE INSTITUTE DOES NOT CLAIM that every chemist makes millions, nor do we guarantee that you will immediately get a job paying \$10,000 a year. But many have done it and there is no reason why you can not do it too. Often enough you read or hear about men who have found the highest recognition, from small, inconspicuous beginnings, and you wonder how they got the "lucky break." Why, you wonder yearningly, couldn't you be such a "lucky" fellow? You can be—but you have to meet luck half way.

### Get Started Today!

IF YOU WOULD LIKE TO KNOW MORE ABOUT CHEMISTRY, and if you are sincere in your desire to get out of the treadmill of job anxiety and wage dependence, if you have ambition enough to want to become a chemist, and perhaps a famous one some day, you will not wait until tomorrow to find out how to go about it. MAIL the coupon below today. There is no charge and no further obligation. You will be simply asking us to write you about something that you want to know.

Chemical Institute of New York, Inc.  
Dept. RC-131  
19 Park Place, New York, N. Y.

Please send me at once, without any obligation on my part, your Free Book "Opportunities for Chemists," and full particulars about the Experimental Equipment given to every student.

NAME .....

ADDRESS .....

CITY..... STATE.....

ment of the work you do and including a suggestion that the set owner call you the next time his radio goes bad, should give good results with low cost.

Apply your own ideas to your advertising, with the idea of making it original. It is all right to copy or take ideas from other ads, once in a while; but you will probably find that an original piece of "copy," with some "punch" behind it, will give much better results.

Now, a few words about conducting your business. Charge a reasonable rate, but don't work for nothing; don't charge less than \$1.00 per hour, and not more than \$2.50 per hour. The rate must depend upon your overhead expenses, living expenses in your particular town, and the rate of other radio men in the same town. Do not try to get work by price-cutting, unless you are in business for the fun of it. People are willing to pay good money, as a rule, for good service.

If you can give them better and more efficient service than the other fellow, your time is worth more than his. Just remember this: that, if you give the people the kind of service they want, and give it to them consistently, you can't keep the money away.

## Trillion-Tone Organ

(Continued from page 403)

had a lamp and a cell opposite each circle of holes. In this instrument, as with an organ, any note could be prolonged.

A subsequent development, less like that detailed in Mr. Lesti's article, is the "Magneton," produced by an Austrian piano factory. In this instrument, musical notes are produced electrically by coils revolving, at varying rates, in magnetic fields. Neither of these developments, it would seem, has the versatility of Mr. Lesti's invention, which renders it possible to introduce tones of any complexity and color, which an amplifier can transmit and a speaker reproduce, into his musical output.—*Editor.*)

## Heavyside Layer

(Continued from page 415)

taken to be a heavily ionized stratum in the earth's outer "stratosphere." If the portion traveling along the earth is taken as the main component of the signal, we may consider that a wave traveling from the transmitter upward to the reflecting layer and back to the receiving antenna will travel a greater distance than the first or "ground wave" and will arrive at the receiving antenna slightly late. Just how late this retarded arrival is, can be determined by the relative displacement of the second image noted in our first figure.

This observation recalls the phenomenon of fading and we arrive at the conclusion that the second component may arrive either in phase or out of phase with the main signal. In this event the two component will be sometimes additive, and sometimes subtractive, with the net result that the signal varies in its average intensity, and gives rise to unpleasant effects where audible reception is to be carried out.

In England Professor Appleton has noted

# A Special Courtesy to

- Radiotricians
- Professionals
- Engineers
- Mechanics
- Consultants
- Designers
- Service Men
- Contractors
- Manufacturers
- Dealers

In order to make it possible for all Radio Technicians to read RADIO-CRAFT regularly, each month, we have put into effect a special subscription price. The regular price of RADIO-CRAFT is \$2.50 a year (12 issues). The newsstand rate is 25 cents a copy.

Any radio professional, sending in a subscription on his letterhead, showing that he is engaged in some capacity in radio work will receive as a special courtesy

EIGHT ISSUES OF



FOR ONE DOLLAR

Just pin a dollar bill to the coupon below and forward it with your letterhead or business card.

RADIO-CRAFT,  
RC-1, 98 Park Place,  
New York, N. Y.

Enclosed find \$1.00 for which please enter my subscription to RADIO-CRAFT for eight months.

Name .....

Address .....

City..... State.....



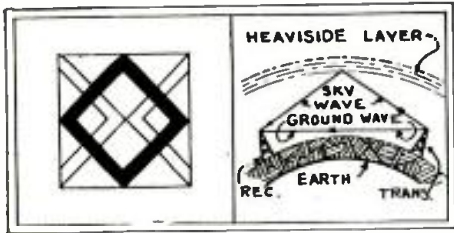


Fig. 6 Fig. 7

The double television image at the left is caused by the two paths of the signal, at the left.

that, at times, the variation in arrival time between the two components from a station from sixty to eighty miles distant amounts to 1/3000 of a second. In the case taken for an example in Fig. 6, we will assume a 48-line picture repeated 15 times per second, and the time required for any

one aperture to traverse the field of view will be 1/720 of a second. The displacement indicated is half the width of the image or, in units of time, 1/1440 of a second.

Hence, since we know the speed with which the waves travel (it is approximately 186,000 miles per second) and the time elapsed between the arrival of the first component and the arrival of the second, we may arrive at a figure representing the difference in the distances traveled, or about 130 miles. With this knowledge, together with an accurate knowledge of the actual mileage between the two stations, we may calculate the probable height of the reflecting layer.

This, however, is continually shifting; but some interesting data may be gathered regarding seasonal variations in radio.

## An A. C. Short-Wave Receiver

(Continued from page 417)

The front panel layout is designed for ease of operation. From left to right are shown (Fig. A): the tuning dial; the regeneration-control knob with the stage switch just below it; the band-selector dial, in the center, which governs the wavelength range to be covered by the left-hand dial. Below, to the right, is the "peak-quality" switch; above it, the volume-control knob; and, last, another dial which is provided largely for experimental purposes. The last may be used, with a midjet variable condenser, to control regeneration, or to experiment with a tuned R.F. stage; or, if so desired, it may be omitted.

Power is supplied, in this case, by a 10-volt stepdown transformer, for the series

filaments, and a "B" eliminator. Any good combination power supply may be used; and the filaments may be wired in parallel, though heavier wire must be used to carry the heavier amperage at 2½ volts. The leads are run through a plug; no pick-up is noticed from running the A.C. and D.C. leads together, and the A.C. leads are not twisted.

Every A.C. short-wave set seems to have individual characteristics. A receiver, built by an electrical engineer, which duplicated this receiver in every respect, required several minor changes before entirely satisfactory operation was obtained.

Choice of tubes is important, though all makes seem to have good and bad speci-

The answers to your questions on building, testing and repairing radio sets



The three volumes of this Library cover the entire field of building, repairing and "trouble-shooting" on modern radio receivers. The Library is up-to-the-minute in every respect and is based on the very latest developments in the design and manufacture of equipment. The rapidly-growing interest in short-wave reception is thoroughly covered in a complete section which deals with the construction of this type of apparatus.

## Radio Construction Library

By JAMES A. MOYER and JOHN F. WOSTREL

Faculty, University Extension, Massachusetts Department of Education

Three Volumes — 993 Pages, 6x9 561 Illustrations

VOLUME I: presents the fundamental principles of radio so clearly and simply that anyone of average training will be able to read, understand and apply them. In one chapter alone, it gives actual working drawings and lists of materials for the construction of eight typical sets.

VOLUME II: fully discusses all of the elementary principles of radio construction and repair. An explanation of the necessary steps for "trouble-shooting," repairing, servicing and constructing radio sets successfully. Practical data is also given on antenna systems, battery eliminators, loud speakers, chargers, etc.

VOLUME III: covers the essential principles underlying the operation of vacuum tubes in a non-technical manner as is consistent with accuracy. It discusses the construction, action, reactivation, testing and use of vacuum tubes; and an interesting section is devoted to remote control of industrial processes; and precision measurements.

EXAMINE these books for 10 days FREE

This Library is not only a thorough home-study course, but a handy means of reference for the more experienced radio experimenter, repair man, and radio shop-owner. To these men, as well as to those who desire to advance in the radio profession, this offer of a 10 days' Free Examination is made.

Simply clip, fill in, and mail this coupon

McGRAW-HILL

FREE EXAMINATION COUPON

McGRAW-HILL BOOK COMPANY, INC.,  
370 Seventh Avenue, New York.

Gentlemen: Send me the new RADIO CONSTRUCTION LIBRARY, all charges prepaid, for 10 days' Free Examination. If satisfactory I will send \$1.50 in 10 days, and \$2.00 a month until \$7.50 has been paid. If not wanted I will return them at your expense.

Name .....

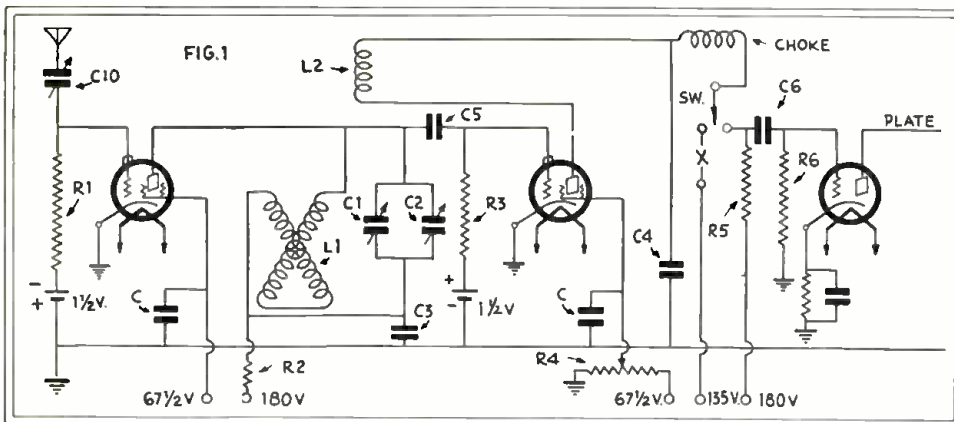
Home Address .....

City and State .....

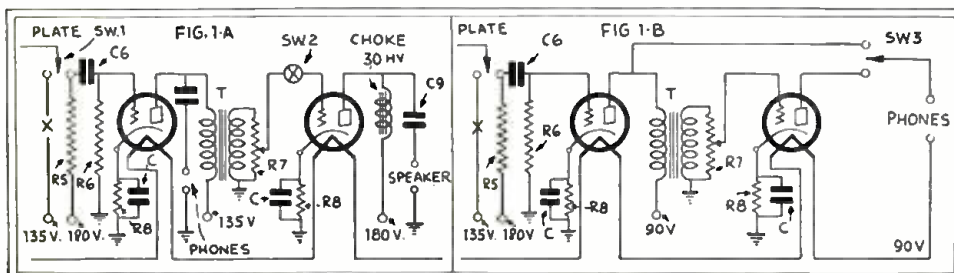
Position .....

Name of Company.....RC-1-31

(WRITE PLAINLY AND FILL IN ALL LINES)



The circuit of Mr. Hurley's short-wave tuner. Besides the phones at X, either of the two audio connections below may be used. The author is a patient in a government hospital, where phones enable his friends to listen to code messages quietly.



At the left, we have an adaptation of the audio end for loud-speaker work; the operator uses phones on the detector. At the right, the arrangement preferred by the author under his special circumstances and for "ham" work; multiple phone connections were provided in the output.

# MAKE Your Own Home-Recording Outfit



USE A SKINDERVIKEN BUTTON

## This Microphone Unit is the Heart of Home-Recording

With a SKINDERVIKEN microphone button you can make a powerful HAND-MICROPHONE — one of the essential parts in any home-recording outfit.

The HAND-MICROPHONE will faithfully pick up your voice and translate it into electrical current variations.

These variations may be amplified — simply by connecting the HAND-MICROPHONE, through a plug-in adapter to the detector or first audio circuit of a radio set.

The amplified currents will powerfully vibrate the recording needle in a phonograph pick-up connected to the "loud speaker" binding posts of the set, and thus may be made to register on any pre-grooved phonograph record.

The "play back" is accomplished by connecting the pick-up in place of the HAND-MICROPHONE, and attaching a loud speaker to the proper binding posts.

If you wish to dispense with the radio set amplifier, you may connect the SKINDERVIKEN HAND-MICROPHONE direct to the recorder (the "pick-up" with a recording needle) through a transformer.

Full details supplied with every SKINDERVIKEN button, including diagrams, drawings and instructions.

These wonderful little SKINDERVIKEN microphone buttons may be used for hundreds of uses, such as:

- |                 |                        |
|-----------------|------------------------|
| RADIO AMPLIFIER | PHONOGRAPH AMPLIFIER   |
| DETECTAPHONE    | TELEPHONE AMPLIFIER    |
| STETHOSCOPE     | LOUD SPEAKER AMPLIFIER |
| MICROPHONE      | CRYSTAL SET AMPLIFIER  |

**95c EACH** Two for **\$1.75**  
**12-PAGE INSTRUCTION BOOKLET**  
 containing suggestions and diagrams for innumerable uses, furnished with each unit.

EVERY AMATEUR SHOULD HAVE TWO OR THREE OF THESE AMPLIFIERS IN HIS LABORATORY

WE PAY \$5.00 IN CASH for every new use developed for this unit and accepted and published by us.

## SEND NO MONEY

When the postman delivers your order you pay him for whatever you have ordered, plus a few cents postage.

(Canada and Foreign: cash with orders)

PRESS GUILD, Inc., 16 Murray St., New York, N. Y. No-131

Please mail me at once as many of the following items as I have indicated.

.....Skinderviken Transmitter Units at 95c. for 1; \$1.75 for 2; \$2.50 for 3; \$3.20 for 4.

When delivered I will pay the postman the cost of the items specified plus postage.

Name .....

Address .....

City..... State.....

mens. If convenient, take your receiver to your dealer and try several tubes in each socket; though the detector is most important and the 27s are least troublesome.

As for information on the circuit, each and every portion is covered by an article in one or another of the last few issues of RADIO-CRAFT, SHORT WAVE CRAFT, or QST. Good luck!

### List of Parts

- One *Aero* "automatic tuner" variometer-condenser unit (L1-L2, C1-C2.)
- Two *National* "Type C" dials, for tuning;
- One *National* "Type N" dial, for waveband selection;
- One *National* No. 10 impedance (R1);
- One *Pilot* 450-ohm resistor, (R2);
- One 5-meg. grid leak (R3);
- One *Frost* 100,000-ohm variable resistor (R4);
- One 250,000-ohm fixed resistor (R5);
- One 2-meg. grid leak (R6);
- One *Frost* 200,000-ohm variable resistor (R7);
- One 30-henry choke (OC);
- One A.F. transformer (T);
- Seven fixed condensers: C, 0.1- to 0.5-mf.; C3, C6, .006-mf.; C4, .0005-mf.; C5, .0001-mf.; C7, 0.5-mf.;
- One *National* "Velvet" "B" eliminator.
- Three switches: two S.P.D.T. (Sw1, Sw3); one S.P.S.T. (Sw2); and jacks for phones or speaker, as desired.

## Service Man's Forum

(Continued from page 395)

the price of the job. Consequently, without a service charge of some kind, considerable time would be lost.

In view of the fact that there are very, very many attic mechanics who profess to know radio, a charge too steep oftentimes loses business for a bona fide radio engineer who would otherwise get the work.

There are several ways through which business may be forthcoming. One of the best is to use the best parts, and a good job that pleases the customer, which will give the best advertising possible. There is no better advertising than by word of mouth.

A follow-up card asking for a recommendation to friends will always bring at least one more job even in these hard times. I enclose a specimen of one which I use, and which brings results. Of course, it is an impossibility to please all the people all the time *but*, if the job is right, you can rest assured that the customer will sing it from the housetops if the price is right.

To anyone venturing into this field it might be in order to say: *don't jump at conclusions!* Of course, there are many symptoms that will be recognized by the experienced Service Man, by merely listening to the set; but even then it is a good policy to be sure of the fault before breaking the news to the prospective customer.

There are also defects which may be seen with the naked eye (such as tubes failing to light or the plates of an '80 glowing a cherry red or a power tube giving off a purplish glow) but, nevertheless, a check with a *good* set analyzer will always make the Service Man feel more secure in his diagnosis.

When a major repair is to be made, the

### CLASSIFIED ADVERTISEMENTS

Advertisements in this section are inserted at the cost of ten cents per word for each insertion—name, initial and address each count as one word. Cash should accompany all classified advertisements unless placed by a recognized advertising agency. No less than ten words are accepted. Advertising for the February 1931 issue should be received not later than December 7th.

### DETECTIVES

DETECTIVES Earn Big Money. Excellent opportunity. Experience unnecessary. Particulars Free. Write, George Wagner, 2190B Broadway.

### HELP WANTED

STEADY — WELL-PAID outdoor or indoor Government positions. Many men needed. Get reliable information and list of positions free. Mokane Institute, B18, Denver, Colo.

### INVENTIONS

INVENTIONS COMMERCIALIZED. Patented or unpatented. Write Adam Fisher Mfg. Co., 574 Enright, St. Louis, Missouri.

### PERSONAL

WOULD YOU MARRY? Your plan—we win—you win—thousands happy clients—well-to-do members everywhere. Information plain sealed envelope. The Circle, Middletown, Indiana.

### RADIO

SERVICE MEN, ATTENTION — Speakers rewound, magnetized, repaired, \$2.10 to \$2.75. Complete Power Pack Service—Transformers rewound, condenser blocks repaired, resistors duplicated. Guaranteed. Clark Brothers Radio Co., Aibia, Iowa.

"WORLD" RECEIVER, \$1.25. Illustrated Bargain Catalog, 10c. Neil Tasker, Sixth Street, Shamokin, Penna.

NEW DEVICE gets more distant stations; reduces interference; \$1.00 postpaid. Noel, 1502 Pittston, Scranton, Penna.

## Book Covers Ex-Libris-Book Plates

LATEST series of OLD MASTERS book-plates, reproducing antique woodcuts and engravings. Unique creations for book-lovers who appreciate the unusual. Write for illustrated catalogue and specimen, enclose 10 cents for mailing charge. ISKOR PRESS, INC., 19 Park Place, Dept. D-131, New York, N. Y.

## DO YOU WANT TO STOP TOBACCO?

Banish the craving for tobacco as thousands have. Make yourself free and happy with Tobacco Redeemer. Not a substitute, not habit forming. Write for free booklet telling of injurious effect of tobacco and dependable, easy way to relieve the craving many men have. **FREE BOOK** Newell! Pharmacal Co. Dept. 928 Clayton, Mo.

## WE MATCH PANTS To Any Suit!

Double the life of your coat and vest with correctly matched pants — 100,000 patterns. Every pair hand tailored to your measure! No "ready-made." Our match sent FREE for your O. K. before pants are made. Fit guaranteed. Send piece of cloth or vest today. **SUPERIOR MATCH PANTS COMPANY** 115 So. Dearborn Street, Dept. 382, Chicago

### BACK ISSUES OF

RADIO-CRAFT can still be had at the regular price of 25 cents. If you are in need of any copies for reference or servicing work, mail your order with remittance to RADIO-CRAFT, 98 Park Place, New York City.



most logical thing to do is to take the set to the shop, where you will not be molested by the curious and where there is a good place to work. If an auto Service Man was called for service and started to dismantle the car in the street, he would not get very far; and the same applies to the radio Service Man, only under different conditions.

One other good thing to remember is: never laugh at what might be a foolish question; because, if the person asking it knew as much about radio as you do, he would not have called you.

Never be untruthful, for you might not get the job and, when another Service Man calls, the customer will think that neither one knows exactly what is wrong. This makes it hard for all Service Men in general.

Below are some of the questions asked me:

- How much will it cost to fix it?
- Can I get the police department (short waves) with it when it comes back?
- My neighbor gets Cuba; why can't I?
- What makes it stop? It never did that before?
- Why can't I get short waves with eight tubes when the man next door gets them with three?
- And so far into the night.

F. G. POLI,

1905 Spruce St., Detroit, Mich.

(Mr. Poli's card is a simple government postcard, typewritten. It reads: Dear Sir:

If our radio service has been satisfactory, a recommendation to your friends will be greatly appreciated.

THANK YOU

F. G. POLI,

Radio Engineer.

—Glendale 1008—)

## New Applications

(Continued from page 401)

each other. The effect of the numerous reflections is to concentrate the strength of the wave in the form of a circular cone directed outward and upward toward the Heaviside layer, and, it is hoped, to give a better distribution of field strength at great distances.

The sixth illustration, Fig. F, is a device intended to serve at sea, the purpose of a fire-alarm telegraph service on land. It may be put in operation to send out a signal of distress; a series of twelve dashes, each four seconds long, and spaced one second; these are transmitted on the calling wave of 600 meters. This signal will not only be recognized by an operator; but, if another ship sends out such a signal within the receiving range of this instrument, it will operate a relay which sets the gong ringing and summons the radio operator. In this manner it maintains an automatic watch—the most important part of its work, since the regular "SOS" can be, and in fact, must be sent manually after this alarm.

The same principle has been applied to apparatus to send code automatically—as in a clandestine portable transmitter seized by the French authorities; but none of these mechanical devices eliminate the need for a trained radio operator.



# NOW READY

## PRACTICAL TESTING SYSTEMS

by  
**JOHN F. RIDER**

Here is a part of the table of contents. Further discussion is unnecessary. This reference book should be in the library of every service man and experimenter.

- Measuring the Negative Resistance of the Screen-Grid Tube
- A General Utility Tube and Set Tester
- A Radio Bench Panel
- Vacuum Tube Voltmeters
- Multi-Range Tube Voltmeter
- Testing Variable Air Condensers
- Testing Solid Dielectric Fixed Condensers
- Testing Dry Electrolytic Condensers
- Testing Mershon Condensers
- Testing Condensers with a Bridge
- A Multi-Range Condenser Bank
- Determining the Inductance of Iron Core Coils and Chokes
- Checking Low Resistance Windings
- Standard Artificial Antenna
- R.F. Input Measurements
- Testing Audio Coupling Units
- Measuring Power Output of Receiver or Amplifier
- Comparing Audio Output
- Hum Measurement
- Loud Speaker Measurement
- Tube Circuit Adaptors
- The Stroboscope
- D.C. Voltmeters and Multipliers
- Determining the Resistance of D. C. Voltmeters
- D.C. Current Meters and Shunts
- Determining the Resistance of Current Meters Using a D.C. Milliammeter as a D.C. Voltmeter
- Capacity Multipliers for A.C. Voltmeters
- A.C. Voltmeters and Multipliers
- Standard Galvanometer Shunt
- An Ohmmeter for Resistance Measurement
- Measuring High or Low Values of Resistance
- 8-Volt D.C. Meter as Ohmmeter
- Production Testing of Resistances
- A Direct Current Resistance Bridge
- A Multi Range Tapped Resistance
- A Low Powered Grid Dip Oscillator
- Self Modulated R.F. Oscillator for 545-1500 and 175-180 Kc.
- A Beat Note Audio Oscillator
- A Modulated R. F. Oscillator with Separate A.F. Source
- An Intermediate Frequency and High Audio Frequency Oscillator
- The Dynatron Oscillator
- Calibrating a Dynatron Wavemeter by the Heterodyne Method
- A Crystal Oscillator
- A Simple Tube Reactivator and Emission Tester
- Testing for Short Circuits Within Vacuum Tubes
- Measurement of Mutual Conductance (D.C. Method)
- Measuring Amplification Constant (D.C. Method)
- Measuring Plate Resistance (D.C. Method)
- A Direct Reading Mutual Conductance Bridge (A.C. Method)
- An A.C. Tube Tester
- Direct Reading Amplification Constant and Plate Resistance Bridge

144 Pages — 99 Illustrations — \$1.15 Postpaid

### COUPON

RADIO TREATISE CO., Inc., 1440 Broadway, New York City.

Enclosed find \$1.15 for which you will send RIDER'S PRACTICAL TESTING SYSTEMS. If I am not satisfied and return the book within 10 days and in good condition, you will refund my money.

Send C.O.D. RIDER'S PRACTICAL TESTING SYSTEMS and I will pay postman \$1.00 plus the few cents for postal charges.

Name .....

Address .....

City..... State.....



## PATENTS TRADE-MARKS

DO NOT LOSE YOUR RIGHTS  
TO PATENT PROTECTION

Before disclosing your invention to anyone send for blank form "EVIDENCE OF CONCEPTION" to be signed and witnessed.

LANCASTER, ALLWINE & ROMMEL  
(Registered Patent Attorneys)  
475 Oursy Bldg., Washington, D. C.  
Originators of forms "Evidence of Conception"

## Dealers Servicemen

We are headquarters for JEWELL and WESTON Testers, Set Analyzers and Meters.

LOWEST WHOLESALE PRICES

Mail Orders Promptly Filled

## SUN RADIO CO.

64 Vesey St. N. Y. City

# Announcing ~

# RADIO

## Service Man's HANDYBOOK

### WITH ADDENDA DATA SHEETS

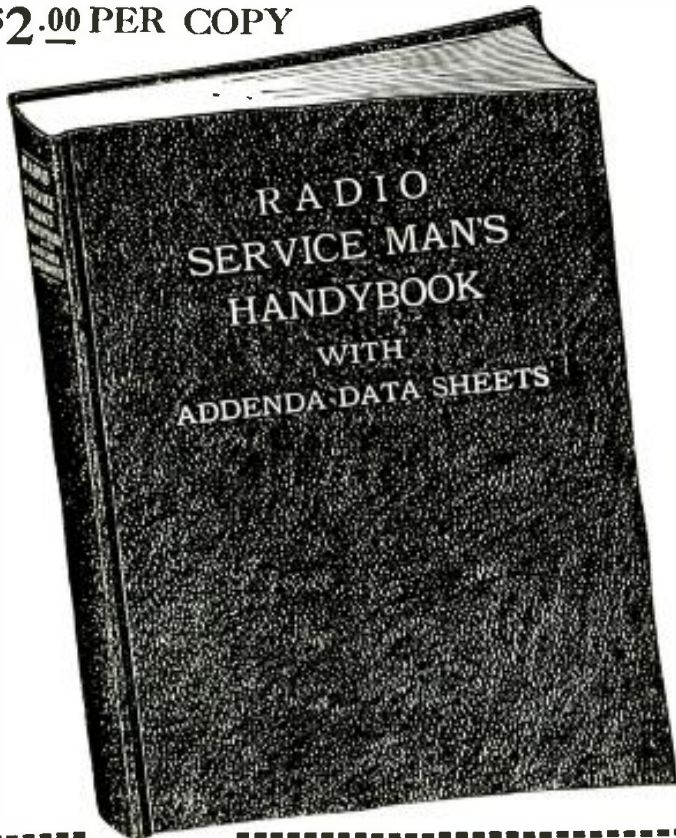
**T**HIS new book contains a tremendous amount of the most important data of every kind — several hundred illustrations, wiring diagrams, charts, on every conceivable subject pertaining to radio sets, tubes, etc. The book is live "meat" from start to finish, and contains only *practical information* on which every radio man can cash in immediately.

Just to give you a few subjects contained in the book, we mention the following:

- Prescriptions of a radio doctor
- Modernizing old receivers
- Servicing obsolete sets
- Operating notes for Service Men
- Service Men's data
- Servicing automobile radio installations
- Curing man-made static
- Causes and cure of radio interference
- Notes on repairing "B" power units
- Constructional data on laboratory equipment

- A portable radio testing laboratory
- Servicing with the set analyzer
- What and how the Service Man should sell
- Helping the Service Man to make money
- How to become a Service Man
- Servicing broadcast receivers
- All about vacuum tubes, and vacuum-tube data
- Special radio Service Man's data
- Dozens of radio service data sheets
- And hundreds of other similar subjects

**\$2.00 PER COPY**



### *The Foremost Radio Service Authorities Have Contributed to This Book*

- |                  |                  |                 |
|------------------|------------------|-----------------|
| C. W. PALMER     | GEO. C. MILLER   | H. WEILER       |
| LEON L. ADELMAN  | JULIUS G. ACEVES | J. E. DEINES    |
| SYLVAN HARRIS    | C. W. TECK       | F. R. BRISTOW   |
| BERTRAM M. FREED | PAUL L. WELKER   | and many others |

### A NEW DEPARTURE

**E**VERY Service Man, every radio man, every radio experimenter and every radio professional makes his own notes, draws his own circuits and writes down his own observations and his own data. For these reasons, the RADIO SERVICE MAN'S HANDYBOOK has been made in loose-leaf form. *There are supplied with this book 48 special ledger paper pages, square ruled on both sides so that you can take a leaf and place it wherever you wish, and write on it your own data.* If you wish, you can also cut out data from other publications and paste it on the sheet—placing it in its proper position in the loose-leaf book.

The total number of pages is 200 and the book contains such a wealth of radio material as you have never seen before between two covers. *Nothing like it has ever been produced.* The book is of the large size, 9 x 12 inches, and is in the same loose-leaf form as the OFFICIAL RADIO SERVICE MANUAL. It has a semi-flexible cover with gold stamping.

**MAIL COUPON TODAY**

GERNSBACK PUBLICATIONS, INC.,  
96-98 Park Place, New York City, N. Y.

RC-131

Gentlemen:  
As per your special offer, I enclose herewith remittance of \$2.00 (Canada and foreign \$2.25) which pays the entire amount on your new book entitled RADIO SERVICE MAN'S HANDYBOOK with Addenda Data Sheets, in loose-leaf form, as described in RADIO-CRAFT.

Name .....

Street .....

City and State .....



# An All-Wave Superheterodyne

(Continued from page 419)

an extent that side bands are clipped and distortion results. For this reason, inductance-tuned transformers were designed for use in this receiver. However, unless the high-frequency resistance is kept low, the effective voltage will be no greater than that obtained from capacity-tuned types.

To eliminate harmonics and bring about practically "one-spot" tuning, an intermediate frequency between 250 and 300 kilocycles was chosen. This will require a secondary inductance of comparatively high value, and some form of concentrated winding will have to be employed. Multi-layer continuous-bank coils are about the easiest to wind; the distributed capacity is quite low for the large number of turns required.

Each of the transformers is somewhat different in construction. The winding forms are bakelite tubes, 2 inches in diameter by 2 3/8 inches long. The rotors also are of bakelite, 1 inch long by 1 3/16 inches in diameter; old tube bases are ideal for this purpose.

The first transformer consists of a primary, secondary and rotor. The secondary is wound first, starting 3/8-inch from the edge of the form. A total of 460 turns of No. 28 D.C.C. wire is bank-wound in two 5-layer sections, 230 turns per section; each being approximately 1 inch long and separated 3/8-inch to allow room for the rotor shaft.

## Design of Transformer

It is assumed here that anyone interested in building this receiver is experienced enough to be able to bank-wind coils. It might be well, however, to state at this time that the use of plenty of collodion will prevent the turns from falling; this liquid dries almost instantly, and may be procured at any drug store for the nominal sum of 10 to 20c per ounce. In case bank windings are too difficult for the constructor, they can be obtained, wound to order, from many companies. Failing in this, plain layer windings may be used to good advantage with, perhaps, a slight increase in distributed capacity.

The rotor is wound next; the small bakelite tube should first be drilled with two holes for the shaft. These must be in the exact center, and directly opposite to assure true turning of the finished coil. Threaded 8/32 brass rod, 3 inches long, is employed for a shaft.

As only a small variation in inductance is necessary or desirable, the rotors need not have a large number of turns; a total of 102 turns in two sections, (51 per section) 5 layers high, will be sufficient. Because of the small space available, No. 30 S.C.C. wire will be needed. Enough space should

be left between the sections to allow small washers to be slipped on the shaft, to fit it snugly within the large form. Short lengths of 3/16-inch brass tubing are recommended in place of the washers.

The primary is wound in a "hank," in the same direction as the secondary to a diameter of about 1 7/8-inch, with 185 turns of No. 30 enamel or cotton-covered wire. The completed coil is then placed inside the secondary near the filament end, using collodion as an adhesive. The start of this winding goes to the "B+" and the finish to the plate. (The primary should be tied with string in three or four places, before placing).

After all the windings are completed, the rotor may be installed. Two holes are drilled in the outside form, between the secondary sections, and must be directly in line with those in the rotor. The shaft is inserted in one of the holes; then a few small washers—or a short length of brass tubing—are placed over the shaft, which is then pushed into one of the rotor holes. Two 8/32 nuts are screwed on the shaft, which is passed finally through the other rotor hole, another short brass tubing and the outside hole. If the brass pieces have been cut correctly, the rotor should turn freely but fit snugly. A binding-post top may be put on one end of the shaft, if desired for ease of adjustment, and the nuts inside the rotor may then be tightened. Other methods of mounting the rotor which would, possibly, be superior to this one may be worked out by the constructor.

Four connecting terminals are needed for the coil leads. Two are placed at each end of the form, through holes drilled 3/16-inch from the edge. The mounting brackets will be left entirely to the constructor to devise for himself.

One lead of the rotor is soldered to the top lead of the secondary. The other rotor lead goes to the grid of the first I.F. tube.

## Special Tickler Optional

The second transformer has only one winding, and a rotor, both exactly like those just described. The third transformer has an additional winding for a tickler; this is not absolutely necessary, but does give greater sensitivity—a worth-while feature if extreme "DX" is desired. Some broadcast listeners, also, are interested in the reception of commercial or amateur code stations; a tickler is needed in this case to provide beats with the incoming signal.

The tickler may consist of 100 turns of No. 30 wire, wound in a manner similar to the primary of the first transformer, and placed within the form at the filament end of the secondary. The leads are then con-

More  
Pleasure  
From  
Your  
Radio  
Receiver



At last you can retire and relax or read while listening to your radio without the inconvenience of getting up to shut it off or worry of falling asleep and having it turned on all night. Just set the—

## X-L SENTINEL

for the time you wish the receiver to run and—presto—off goes—the music and the light—for thoughtful designing has provided a socket in the Sentinel for your reading lamp as well as one for the receiver.

Used also on window displays and signs, hall lights, night lights, etc. Fully guaranteed.

SEE DEALER—OR SEND DIRECT  
LIST PRICE \$6.75

## X-L Radio Laboratories

1224 Belmont Avenue Chicago

Service men and setbuilders—Write for attractive agency proposition.

**FREE!**

**RADIO DEALERS  
SET BUILDERS  
AGENTS  
SERVICEMEN  
OUR BARGAIN  
BULLETIN IS  
WAITING FOR  
YOU**

**This COUPON means  
MONEY for YOU**

BALTIMORE RADIO CORP.  
47 Murray Street, N. Y. City  
Gentlemen: Kindly send me your latest  
RADIO BARGAIN BULLETIN.

Name .....

Address .....

City..... State..... R.C.

**MICROPHONES**

For Transmitters — P. A. Systems and Recording, also cables, accessories and repairs. Catalog just out.

**UNIVERSAL MICROPHONE CO., LTD.**  
Inglewood, California

**ALUMINUM BOX SHIELDS**

Beautiful silver dip finish, 5" x 9" x 6", \$1.89; 10" x 6" x 7", \$3.25. We make any size to order.

5" x 5" x 5" knockdown coil shield (like picture on left), \$1.00.  
.25 Sprague Midget Cond., 59c; 7-Plate Midget Cond., 50c; 4 and 5-prong plug-in coil forms grooved for wire, 45c; drum dial drive cable by foot or mile. Please include sufficient postage for shipment.

**BLAN, The Radio Man, Inc.**  
89X Cortlandt St., New York, N. Y.

**SOMETHING DIFFERENT  
Mystery Cigar Lighter**

**MAKE UP TO \$25 A DAY**

Showing this Scientific Marvel to Men. New Principle of Ignition. What Makes It Light? No Pilot or Friction. All Guaranteed. Sample with Sales Plan, 25c. Sample Gold, Silver or Chromium Plated, \$1.00. Agents, Write for Proposition.

**NEW METHOD MFG. CO.**  
Desk SF-1, New Method Bldg., Bradford, Pa.

TABLE OF TURNS ON R.F. COILS  
(See text for sizes of wire)

Top of Band (Meters)	1st Det. Coupler			Osc. Grid	Inductance Plate
	Pri. 1.	Sec. 1.2	Tick. 1.1		
20.....	2	7	6	1	6
40.....	3	13	7	1	7
80.....	5	24	9	4	9
160.....	7	47	12	8	11
600.....	12	95	33	12	29

# THE RADIO EXPERIMENTER'S MAGAZINE



Contains more material than a \$2.50 book, yet the price is but 50c. A copy.

On All Large News-Stands

## PARTIAL CONTENTS In Short-Wave Craft No. 4 December-January Issue

SHORT WAVE CRAFT, Mr. Hugo Gernsback's latest radio magazine, has been called his greatest achievement in radio magazine publishing. SHORT WAVE CRAFT is the one and only real big magazine on short waves you have wished for so long. HERE IS PROOF!

Looking Ahead With Short Waves, by Dr. Alfred N. Goldsmith, Ph.D.  
A New Use for Amateur Radio, by Hugo Gernsback  
How to Convert Broadcast Receivers for Short Wave Reception, Using the Superheterodyne Principle, by Clyde A. Randon  
Propagation of Radio Waves, by Dr. J. Fuchs  
A 19 Tube Trans-Oceanic Receiver, by Dr. Fritz Koenek  
Possibilities and Experiments in Television Transmission for Amateurs, by C. H. W. Nason  
How to Build an 85 Meter Phone Transmitter, by R. Wm. Tanner, W8AD  
The New Kennedy Combination Short and Long Wave Receiver, with Hook-up Diagram.  
My Favorite Audio Amplifier for Short Wave Sets, by Mander Barnett  
Low-Powered Oscillators, Amplifiers and Crystal Controls, by A. Binnower, Jr.  
A Rolls-Royce Short Wave Receiver—Suitable for Television Reception, by C. Sterling Gleason  
"Among the Hams"—Photos of Short Wave Amateur Stations and Letters from Leading "Hams."

Besides these outstanding features, SHORT WAVE CRAFT No. 4 is chock full of how-to-make-it and constructional articles on Short Wave Transmitters and Receivers, both for code and phone.

The question and answer box is ably edited by R. Wm. Tanner, W8AD, well-known writer and short wave expert.

Besides all these articles, there are illustrations, diagrams and descriptions of the newest Short Wave Receivers and Transmitters from the manufacturers' laboratories.

Unlike other magazines, it does not contain purely technical matter of interest only to the advanced amateur and ham. Quite to the contrary, SHORT WAVE CRAFT contains a tremendous wealth of short wave material of interest to everyone who wishes to get into short wave activities.

OVER 250 ILLUSTRATIONS, HOOKUPS, CHARTS, CIRCUIT DIAGRAMS, DOZENS OF ACTUAL PHOTOGRAPHS OF RECEIVERS, TRANSMITTERS, AND A WEALTH OF PRACTICAL STUFF.

Filled to the top with real meat—not a picture book, no mathematics, no theories that are over your head, but rather practical dope, like "meat." That's what SHORT WAVE CRAFT orders you in every issue.

Regular Departments in SHORT WAVE CRAFT

Photographic Section—pictures of latest short wave sets and stations  
Transmitters for Short Waves—How to build them

needed, with the start of the winding going to the plate through condenser C7 and the finish to the filament. The regeneration control is like that in the first detector circuit, and is connected directly across the tickler.

Energy is fed from the plate circuit of one tube to the grid of the next through a coupling condenser (C6) having a capacity of .00025-mf. Although a fixed-capacity type may be employed, a variable is to be preferred; as then practically any degree of selectivity may be obtained, the lower values sharpening the tuning and vice versa. A Muter or XL "Variodenser," with a maximum of .0005-mf. is very fine for this service.

The radio-frequency chokes (RFC2) in the "B+" leads to the screen-grid tubes prevent the feeding back of energy into the "B" supply. The Silver-Marshall long-wave type is recommended. The choke following the second-detector is of the same size, and eliminates howling by keeping the I.F. currents out of the audio amplifier.

The grids of the I.F. tubes are biased by taking the voltage drop across a fixed 10-ohm resistor (R2) in the negative side of each filament; a 0.1-mf. condenser (C4) by-passes the R.F. energy around each resistor. The screen-grids are by-passed by 0.5-mf. condensers (C5). The filaments of these tubes have an additional fixed 5-ohm resistor (R4) in the positive leg, to drop the voltage to 3.3.

The second detector is of the plate-rectification type, the grid bias being obtained from a 1000-ohm resistor (R6) in the negative lead (of the "B" supply) through which passes the plate current of all tubes except the last audio. Two sliders are provided, one for the detector and one for the first audio stage. The detector bias will generally be in the vicinity of 4 volts; however, at this value, loud signals may overload the detector, in which case the bias should be increased to 6 or 7 volts.

Best results will be obtained if the I.F. stages are individually shielded. The last transformer and second detector may be left in the open without impairing reception in the least.

### Coil Data

The plug-in antenna and oscillator couplers are wound on standard (midgert) plain coil forms; five of each are employed for the 20-, 40-, 80-, 160 meter and broadcast bands. A "color scheme" is used for the windings, making it easier to select the proper coils for any band; the advantage of this will be realized when the completed receiver is placed in operation. Data for the windings are given in the table.

In the antenna couplers the primaries L<sub>1</sub> are all wound of No. 18 single-cotton-covered wire to a diameter of 3/4-inch; these are placed inside of the forms near the bottom and are self-supporting. Both the secondaries and the ticklers for the 20-, 40-, and 80-meter coils are wound directly on the forms, with the secondary turns spaced slightly to reduce distributed capacity to a minimum. The ticklers are close-wound, of No. 30 enamel wire.

On the two larger coils the secondaries are wound on the forms and the ticklers in the slots; in each case the finish of the tickler and the lower lead of the secondary

Short Wave Receivers—Construction data for all types and kinds  
The Short Wave Experimenter  
The Short Wave Beginner  
Television on Short Waves  
Short Waves for the Broadcast Listener  
Ultra Short Waves  
Aircraft Short Wave Sets  
How to Build Short Wave Aerials  
Short Wave Question Box

PUBLISHED ON THE 15th OF EVERY OTHER MONTH

Extra Special Offer Void After January 15th

The regular subscription price to SHORT WAVE CRAFT is \$3.00 a year. But up to January 15th, we will accept \$1.80 for a full year's subscription (Canada and foreign, \$2.00) AND IN ADDITION will send you FREE the first two issues of SHORT WAVE CRAFT. This will give you in reality a subscription of one year and three months, value \$4.00, for \$1.80!

MAIL COUPON TODAY!

SHORT WAVE CRAFT RC-131  
90-90 Park Place, New York, N. Y.

As per your special offer I enclose \$1.80, for which please enter my subscription for one year to SHORT WAVE CRAFT and send me also the first two issues gratis.

NAME .....

ADDRESS .....

CITY .....

STATE .....



are connected together and made common to the filament.

The oscillator-coupling windings L1 are wound directly over the filament ends of the secondaries, with No. 30 enamel wire.

The oscillator plug-in inductances L3-L4 have only two windings, those for the plate being wound on the form; the grid coils are wound in the slots. Because some tubes give greater output than others, the given numbers of turns for the oscillator-coupling and the oscillator-grid coils are only experimental values, and others should be tried until best operation is secured.

The diagram (Fig. 1) shows the order in which the leads from the different coils are connected to the contact pins on the forms.

In the 20-meter coils, the antenna secondary L2 and the oscillator plate coil L3 are wound with No. 18 white S.C.C. wire; in the 40-meter pair, with No. 18 black-enamelled; in the 80-meter pair, with No. 20 green-silk covered; for the 160-meter band, the increased number of turns makes No. 28 white S.C.C. sufficiently distinctive; and No. 30 brown-enamelled will be found suitable for the largest coils.

**Audio Amplifier**

This is of the conventional two-stage transformer-coupled type with a 71A, operated from A.C. for loud-speaker reception in the last stage. Any good make of high-grade transformers may be employed. A fixed resistor of the grid-leak type is connected across the secondary of the first transformer to eliminate any chance of howling; this (R7) should have a value of 0.5 to 1 megohm. A switch is provided in the plate circuit of the 71A, enabling the operator thus to use a set of headphones.

The filament of the 71A is controlled from the same 2-ohm resistor (R5) as the second detector, while the grid bias for this tube is taken also from R6. The filament of the 71A is lighted by alternating current, which may be obtained from a separate filament transformer or from a 5-volt winding on the "B" eliminator transformer. The 40-volt "C" bias required for this tube is obtained from a 2000-ohm fixed resistor (R8) connected from "B-" to the center tap on the 30-ohm resistor R9.

No provision has been made for controlling the volume. All methods have their disadvantages, and each experimenter has his own preference; therefore this is left to the individual.

**Conclusion**

After the set has been completely assembled and wired, it may be tested and the amplifier lined up. This is an easy matter; first make all external connections and plug in the coils for the band desired; set the two regeneration resistors R1 at zero, or until they act as a short circuit; light the filaments, and adjust the biasing voltages to the correct values as shown on a high-resistance voltmeter. Tune in some rather weak station, and vary the I.P. transformer rotors until the signal is the loudest. Once set, these should not be touched again. Increasing the first-detector regeneration control should greatly increase the volume and selectivity.

An improvement well worth while comprises merely one of the old-type variometers connected in series with the antenna

# NOW FIX ANY MAKE OF AUTO



## SIX BIG AUTO BOOKS ALL SHIPPED FREE

on approval, whether you want to qualify as garage owner, auto repair expert or merely wish to know how to keep your own car 100% efficient, look at these books—they are sent to you for free examination. This brand new 1930 edition has been prepared by a large group of America's greatest automotive engineers. Anybody who can read will understand them, for this great automobile encyclopedia is a veritable gold mine of valuable facts. Take advantage of this great opportunity now; send in the coupon for FREE examination. You don't pay us a penny, you don't obligate yourself to pay anything unless you decide to keep the books. Just tell us you want to see them and the full set of 6 great volumes, just off the press, will be sent to you. Read them, look them over and prove to your own satisfaction that one fact alone, which you will find in them, may save you an expensive repair, or help you to a better job.

**AVIATION MOTORS**  
In addition to being a complete encyclopedia of automobile engineering these books contain over 100 pages on Aviation Motors, and as they are just off the press they bring to you the newest and latest information obtainable. This alone makes these books invaluable to anyone.

## NEW 1930 EDITION EVERY PAGE UP TO DATE

Imagine books which are so new that, with the co-operation of the largest automobile manufacturers we have been able to bring every page right up to date—wiring diagrams, construction details, service problems—are all right up to the minute. Nowhere else that we know of can you get as complete and up to date information. Over a million dollars of resources have enabled us to give you the most up to date books on the subject ever published. You will find nearly 20 pages on front wheel drives alone. Everybody interested in automobiles in any way will welcome these books, especially on our

## NO MONEY OFFER

This plan brings this valuable information within the reach of everyone. You don't send us a single penny; you don't have to pay us anything; just send your name and address and we will send you the complete set of 6 volumes specially bound in De Luxe Flexo covers. Read them carefully, keep them 10 days, and put anything you want to know and then if you want to keep them send \$2.00 then and \$1.00 per month until the special low price of only \$24.50 is paid. There is no further obligation.

### Jiffy Index

You don't have to read the books through, the special Jiffy Index enables you to put your finger on the information wanted in a jiffy.

### American Technical Society Membership FREE

If you send now for this brand new 6 volume edition of automobile engineering we will include a consultation membership in this great organization. Our large staff of automobile and aviation experts will be ready to help you at all times—you can write or wire any time for special information—answers will be sent to you promptly WITHOUT COST. This membership is good for one full year.

### Learn All About Autos

Get these 6 big new books on this liberal offer and learn all the things you want to know—carburetors, transmissions, valves and spring suspensions, brakes, four-wheel drives, front-wheel drives, Lubrication systems, as well as over 100 pages on Aviation Motors—all of these subjects are fully covered. These complete and comprehensive auto books are yours, if you want them, on this easy plan. Send for your set now.

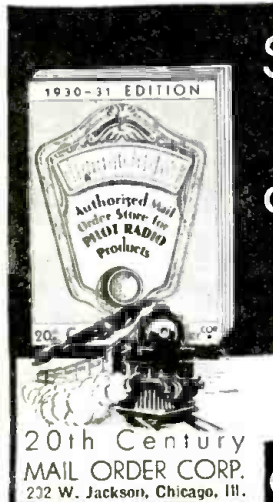
## SEND NO MONEY

American Technical Society, Dept. A-88  
Drexel Ave. at 58th St.,  
Chicago, Illinois

I would like to see the new 6 volume 1930 edition of your automobile books, but without any obligation to buy. I will pay the few cents delivery cost, if only and will examine the books and return them at your expense in 10 days unless I like them, in which case I will send you \$2.00 then and only \$1.00 per month until the special price of only \$24.50 is paid. You are to include the consulting membership certificate in the American Technical Society. Send your name for 1930 edition.

Name.....  
Street.....  
City..... State.....  
Employer's Name.....  
Employer's Address.....

These books will be sent free immediately upon receipt of coupon with writer's name and address and that of his employer or other business man as a reference.



## Send for this FREE CATALOG of Radio Bargains and get FREE RADIO GIFT!

Make 20th Century your headquarters for everything in radio. Lowest prices assured. Every article guaranteed. Complete equipment for regular and short wave receivers and transmitters. Sets, Parts, Kits, Pilotron Tubes and other Pilot Radio products. Send for catalog NOW.

20th Century MAIL ORDER CORP.  
232 W. Jackson, Chicago, Ill.

## GENUINE PILOT PRODUCTS

# After a Hard Day ~

AT THE  
STUDIO



The renowned  
bracer and  
appetizer

ON SALE AT DRUG STORES  
FOUNTAIN GRILLS AND ALL FOOD SHOPS

**COLLEGE INN FOOD  
PRODUCTS CO.**  
[Division of Hotel Sherman Co.]  
CHICAGO, ILL.



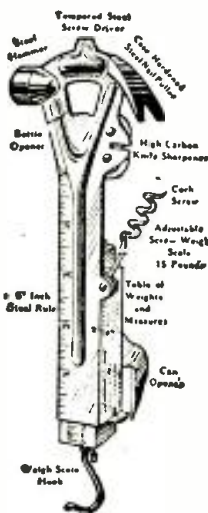
## Ten Tools In One

**\$1.00**

A small but handy article which serves for every possible need of the all-round mechanic. Invaluable in any emergency.

An excellent combination of utilities for the household—every necessity featured: hammer, knife-sharpener, nail-puller, bottle-opener, screw-driver, can-opener, cork-screw and weigh-scale. Just glance at the illustration and you will see how really useful this article is. Only 10 in. high. Indispensable to autoists, campers, Boy Scouts, canoeists, picknickers, etc.

Price \$1.00 Postage Paid. Be the first one in your town to own the "Ten Tools in One." Send coupon with your name, address, city and state with one dollar.



SEND  
FOR  
YOURS

T  
O  
D  
A  
Y

MAIL COUPON

NOW!

Grenpark Tool Company, RC-131  
245 Greenwich Street,  
New York, N. Y.

Enclosed find \$1.00 for which please send me prepaid your "Ten Tools in One."

Name .....

Address .....

City..... State.....

## Outdoor Jobs

Get Forest Ranger, Park Ranger or Game Protector job; \$140-\$200 month; vacation; steady jobs; patrol forests and parks; protect game. Qualify now. Write for full details.

DELMAR INSTITUTE Dept. B-39 DENVER, COLO.



### Big Magic Set \$1.00

Contains Magic Wand, Obdient Egg, Marble and Vase Trick, Pencil and Loop Trick, Hindu Beads, Vanisher, Card Trick, Complete Instructions and our 64 page Illustrated Catalog prepaid \$1.00

SCIENTIFIC NOVELTY CO.  
98a Park Place, N. Y. City

lead; in this case, the antenna should not be longer than about 20 feet. This is particularly desirable for tuning above 100 meters, the additional gain in selectivity and sensitivity being decidedly worth while.

#### List of Parts

- Two 2-gang .00035-mf. tuning condensers (C), cut down as described;
- Eleven fixed condensers, as follows: one .00015-mf., C1; one .00025-mf., C2; one .002-mf., C3; two 0.1-mf., C4; three 0.5-mf., C5., two 1-mf., C8; one .0005-mf., C7;
- Two .0005-mf. semi-variable condensers, C6;
- Ten Silver-Marshall type-130P plug-in coil-forms, and two sockets for same;
- Three bakelite tube forms, rotors and shafts for I.F. transformers, as specified in text;
- One Silver-Marshall short-wave choke coil, RFC;
- Three Silver-Marshall long-wave choke coils, RFC2;
- One home-made choke coil (if needed; see text) RFC1;
- One grid leak, 8-megohm, R;
- Two 50,000-ohm variable resistors, R1;
- Five filament resistors; two 10-ohm, R2; one 2-ohm, R3; one 5-ohm, R4; one 2-ohm, R5;
- One Carter 1000-ohm resistor type P-10 with two sliders, R6;
- One high resistor, half to one-megohm, R7;
- One 2000-ohm fixed resistor, R8;
- One 30-ohm center-tapped resistor, R9;
- One jack for phones, J;
- Three A.F. transformers, T1, T2, T3; power transformer for 71A tube, if winding is not already available;
- Panel and sub-panel, to suit layout of tuner and power unit preferred; 7 UX tube sockets; 3 CX-301A tubes; two CX-222; one each 312A and 371A; inductance and hook-up wire; binding posts or cable plug; and other miscellaneous hardware.

## Whys of Push-Pull

(Continued from page 418)

plate current of a tube as a true alternating current flowing back and forth through the tube—the two A.C. components are flowing in opposite directions at the same time. That in V1 is moving from plate to cathode while that in V2 is moving from cathode to plate.)

But D and D' are not out of phase; they are exactly in phase and flowing in the same direction in each tube. Therefore, the current of D is flowing from *d* to *f* at the same time, and with the same intensity, that that of D' is flowing from *e* to *f*.

The result is that, while the currents C and C', moving in the same direction through the transformer windings, strengthen each other, the currents D and D', moving in opposite directions with equal intensity, "buck" and cancel each other. And, again considering our tubes as the path of the alternating current, we may view the path of the combined output signal voltages as from the plate of V1 to its cathode, through the filament wiring to the cathode of V2, and then through the transformer *e-f-d* back to the cathode of V1; and then in reverse.

This may be better understood by means of Fig. 9, wherein *a* represents the voltage generated in tube V1, and *b* that generated



in tube V2; these are represented as batteries for the sake of convenience and clarity; but, more accurately, they are A.C. generators. The letters *a, b, c, d, e* and *f* refer to the corresponding parts of Fig. 1, in which the primary of the output transformer T2 is regarded as a center-tapped resistance.

The full arrows show the direction the current produced by V1 tends to take and the dotted ones show the direction of the current produced by V2. If *f* is the true center-tap, and the two voltages *a* and *b* are alike, the currents in arm *f-e* are 180 degrees out of phase, or exactly opposed to each other; and the result is that there is no signal current in the arm through Rg, while the current through *d-e* is the sum of that produced by *a* and *b*.

Now let us see what happens to *D* and *D'* the distortion waves; these, we see from Fig. 8, are exactly in phase and we may use Fig. 10 to represent the condition. The full arrows and the dotted arrows show the respective currents as before. Now the situation is a little more interesting; *a'* sends current through *d-f* and Rg, while *b'* is sending current through *e-f* and Rg. The result is that Rg has both currents flowing through it in the same direction; while the

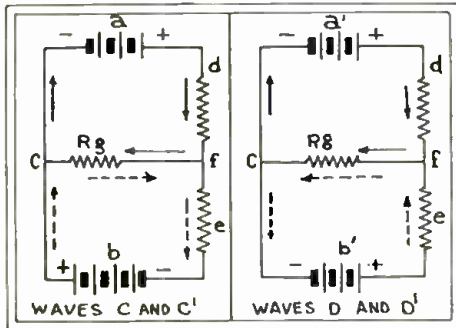


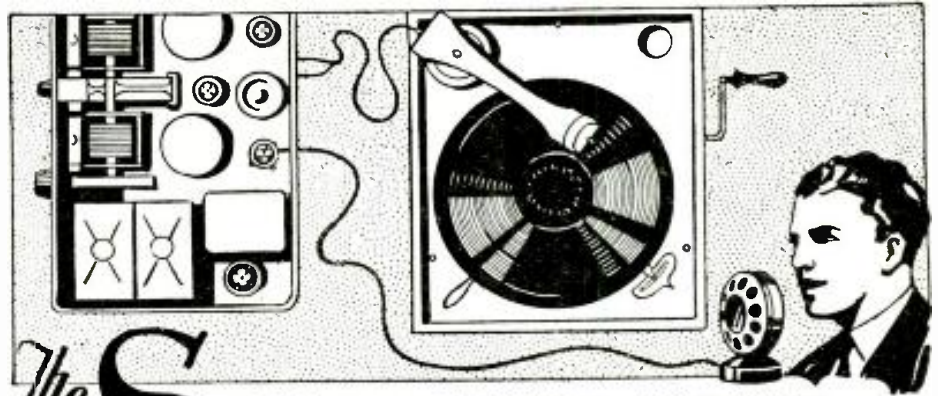
Fig. 9 Fig. 10

In push-pull, the two tubes strengthen the signal (left) but cancel out the "harmonics" or tube distortion factors (right).

output transformer has a current going through half of its primary in one direction, and an equal current going through the other half in the opposite direction.

We know: (1) That a voltage is induced in a winding whenever a flux (magnetic field) is varying through the winding; (2) that the flux is directly proportional to the current producing it; (3) that the flux is in phase with the current producing it; and (4) that the value of the voltage produced by the flux bears a fixed relation to the flux.

Applying these laws to our circuit for waves *D* and *D'* (Fig. 8) we may consider that two fluxes are set up in the transformer by the two currents through the primary. These two fluxes, being in phase with their currents, are 180 degrees out of phase with each other, because the currents producing them are directly opposed through the primary. Each flux produces a voltage in the secondary but, since the fluxes are out of phase, the voltages are also exactly out of phase and "buck" each other. The result is that there is zero voltage at the terminals of the transformer's secondary; which means that the distortion currents *D* and *D'* have had no effect and will not appear in the speaker.



# The SIMPLIMUS HOME RECORDING OUTFIT

HOME RECORDING was the Hit of the New York Radio Show and will be the sensation of the year. Public interest shows that the idea will sweep the country, millions of homes will be equipped. Simplimus, Inc., presents a Home Recording outfit that can be attached to any radio and any phonograph.

With this simple, inexpensive home-recording apparatus, you can make phonograph records of everything you'd like to rehear. Special radio programs, concerts, the voices of your children and friends as well as your own, unusual events, all can be recorded for future reproduction with this new outfit. Outfit comes complete with recording arm, pickup apparatus and microphone, or, the parts can be bought separately. Priced exceptionally low. Send for further information. Special discounts to dealers and service men.

This new device opens up an unlimited field for radio dealers and service-men.

Write for full information today

## SIMPLIMUS, Inc. 67 CHURCH ST BOSTON, MASS.

COUPON

SIMPLIMUS, INC.  
67 Church St., Boston, Mass.

Please send, without obligation, all information regarding the Home Recording outfit.

NAME .....

ADDRESS .....

CITY .....

OCCUPATION .....

**AIREX**  
RADIO BUYERS' GUIDE

WORLD WIDE SERVICE

Dealers  
Servicemen

Write for Catalog  
**THE AIREX CO.**  
67 Cortlandt St.  
New York N. Y.

**GEN-WIN**  
TONE CONTROL

Brings  
1931 Features  
to any Radio Set **\$2.75**

From either battery or electrically operated radio sets, attaching the GEN-WIN Tone Control. New tone qualities such as brilliant, bright, mellow, or deep are the 1931 features that this new Tone Control brings. Simply mount on the panel and place adapters under power tubes—no extra wiring. With bakelite knob in walnut finish and ivory dial for panel mounting. List Price, \$2.75. Table model in handsome bronze finished casing. List Price, \$3.75.

Dealers, Servicemen and Custom Set Builders — you can make big money by installing the GEN-WIN Tone Control on radio sets. Send check or money order today for your supply with regular 45% trade discount deducted.

**GENERAL WINDING CO.**  
214 Fulton St. New York, N. Y.

**ELECTRIFY YOUR RADIO FOR ONLY \$6.85 COMPLETE**

Why discard your present good set when you can electrify it for only \$6.85, and banish the annoyance and expense of buying new "B" batteries?

Over 100,000 Townsend "B" Power Units in Use

Hooked up in a few minutes. Use same tubes—no changes. Works on A.C. (any cycle) or D.C. You'll be amazed at the improvement in reception. Send name and address today for full details, proof and Free Trial Offer.

**TOWNSEND LABORATORIES**  
423 W. Superior Street Chicago, Illinois

**Study RADIO in CANADA**

CANADA'S PIONEER COLLEGE, endorsed by leading radio manufacturers, offers DAY, EVENING, HOME STUDY and SPECIAL TRADE COURSES with free scholarships and trip to Toronto (all expenses paid). Write for booklet to Principal.

**RADIO COLLEGE OF CANADA**  
310 Yonge Street - - - Toronto

## ANALYZER and TUBE TESTER



Our Special Price **\$12.95**

This reliable meter selling for considerably less than many others on the market meets the demands of every serviceman most efficiently. Its sturdy construction and accuracy in testing voltages, tubes, open circuits, etc., assures you satisfaction and long use. This meter is identical in construction and resembles others which wholesale from \$60 to \$100.

**WHAT IT DOES FOR YOU!**  
Shows A.C. and D.C. Filament Voltages.

Tests Plate and Grid Voltages (also Screen Grid Voltages)  
Indicates Plate Current and Line Voltage  
Shows Open Circuits and Grounds  
Tests A.C. and D.C. Tubes  
This exceptionally fine meter makes every essential test on the radio set.

20% deposit required on all C.O.D. shipments.  
Shipments positively made within 24 hours.

**GREN PARK TOOL CO.**

245 Greenwich St., New York, N. Y.

# QUIT TOBACCO

No man or woman can escape the harmful effects of tobacco. Don't try to banish unaided the hold tobacco has upon you. Join the thousands of inveterate tobacco users that have found it easy to quit with the aid of the Keeley Treatment.

## KEELEY

Treatment For Tobacco Habit Successful For Over 50 Years

Quickly banishes all craving for tobacco. Write today for Free Book telling how to quickly Free yourself from the tobacco habit and our Money Back Guarantee.

**THE KEELEY INSTITUTE**  
Dept. L-709 Dwight, Illinois

**STUYVESANT ELECTRIC CO., INC.**

53 Walker St. New York

# FREE CATALOGUE

LATEST RADIO BUYS AT BIG SAVINGS

WRITE TO-DAY



PALP

**PATENTS** Write for Free Guide Book, "HOW TO OBTAIN A PATENT" and Record of Invention Blank. Send model or sketch and description of your invention for our Free Opinion whether it comes within Patent Office Rules. RADIO and ELECTRICAL Cases a Specialty. Prompt, Efficient Service. PAYMENT OF FEES IN INSTALLMENTS. VICTOR J. EVANS & CO., 923 - 9th, Washington, D. C.

This statement will also be true for the fourth, sixth and other even-numbered distortion harmonics; because, in each case, we will have the condition of Fig. 10—that there are equal polarities across the transformer. The result, as we have just found, is zero.

Currents C and C', however, which represent the true signal input have passed through the transformer in such a way that the voltages each has produced in the secondary add; while their currents through the biasing resistor R<sub>g</sub> have eliminated each other.

This last point—about the bucking currents through the biasing resistor R<sub>g</sub>—is one of the most important characteristics of the push-pull circuit. A study of this eccentricity reveals some highly interesting speculations; some of which we hope to include in the next installment.

## Making Your "Mike" for Home Recording

(Continued from page 405)

are given; but the positions and sizes will vary in each construction. A hole for the push-button completes this part of the work.

Now, about that diaphragm; if you can't find an old Baldwin headphone, with its corrugated diaphragm, it will be necessary to use that from an ordinary headphone. In the latter case, it will be found that a hole must be drilled in the center, for the threaded shaft of the microphone button. This drilling must be done *very* carefully, in order to prevent bending the thin metal.

Next, the bracket for the microphone button is to be bent into shape. Although the button will work when fastened only to the diaphragm, because of its "inertia," such a mounting necessitates a rigid-edge diaphragm; and this type of construction is not used in making this unit. Instead, six little pieces of light-weight cloth (such as your tailor can give you from his many "samples" of medium-weight woollens), are to be fastened to the wooden frame, with a touch of glue, at six points equally spaced around the edge of the diaphragm.

Now, tightly bolt the microphone button to the center of the diaphragm, (using extreme caution to prevent cracking the delicate piece of mica in the button) and fasten the other end of the button to the metal bracket; after which the bracket is to be mounted on the wooden frame. Then carefully raise or lower the button, until the diaphragm is just resting against the pieces of 1/16-in. cloth; and tighten the button against the bracket (Fig. 1D).

Finally, screw the mouthpiece into the wooden frame and fasten the aluminum shield can in place, by means of the two battery nuts, after having brought out two leads; which are to be connected as shown in the schematic circuit (Fig. 2).

The proper handling of microphones has been described in the article, "A Public-Address Adapter Unit," by Howard Smith, in the October, 1930, issue of RADIO-CRAFT. In this story, the interest centered in a "double-button" microphone; but the same principles apply to the single-button type we are now describing. The similarity between the circuits will be seen by comparing

## The Midget Receivers

(Continued from page 408)

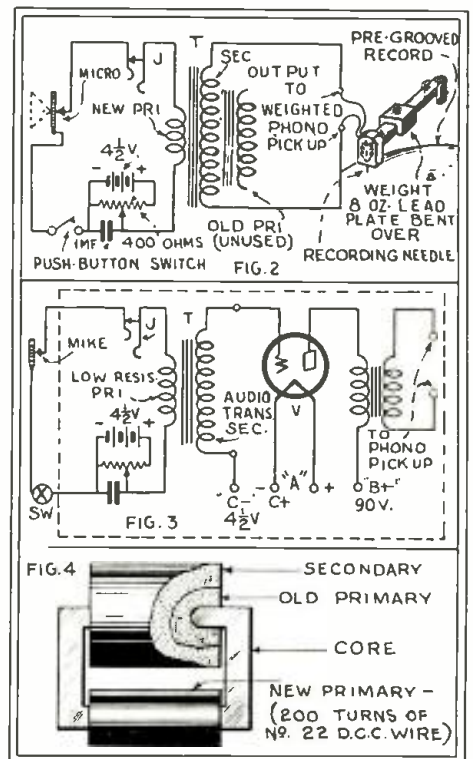
Volume is controlled in this set by varying the control-grid bias of the first two R.F. tubes. The type '24 detector is resistance-capacity-coupled to the type '27 first audio; the grid of the latter tube being returned to ground through a grid leak, as usual. The output of the first audio is resistance-capacity-coupled to the type '45 power audio; but the grid of the power tube is returned to the first A.F. cathode through an audio choke. This choke is tapped for the coupling condenser connection, and, thus, a "parallel plate feed" circuit is obtained. The tone control shunts the primary winding of the output transformer.

In forthcoming issues of RADIO-CRAFT, other midget sets and circuits, not received in time for this article, will be shown.

the circuit diagrams. As stated in the article named, a suitable "microphone transformer" is a very necessary part of the equipment, in order to obtain good matching between the impedances of the microphone and that of the unit into which it couples.

The experimenter is strongly urged to buy, or at least borrow for the occasion, a milliammeter having a range up to about 25 or 50 ma. This is to be plugged into the circuit at J, to determine the amount of current passing through the hand microphone. This value should seldom be allowed to exceed 8 to 10 ma.

There are a few cautions to be learned



Above, a circuit suitable for the home microphone with a reversed "pickup"; center, the connections used with audio amplification; below, an A.F. transformer converted into a microphone transformer.



before attempting the use of the circuit shown in Fig. 2 for home-recording. In the first place, a "sensitive" or easily-impressed record-blank is needed; in the second, a good "recording needle" is essential. Also, it will be necessary to operate the microphone at its maximum sensitivity. It will be necessary, too, to weight the recorder (a "pick-up" connected backward), as the illustration shows.

If it is impossible to obtain maximum sensitivity from the particular microphone used, it may be necessary to amplify the output; a circuit for this purpose is shown in Fig. 3. Of course, a second stage of audio amplification may be used, if necessary; but

whether it is needed must be determined by experiment.

Although the construction of a really good microphone transformer is a work of some skill, the experimenter may want to try his hand at making one. This unit (T in the circuit diagrams) may be made from an ordinary audio transformer, as shown in Fig. 4; note that it is necessary only to wind a low-resistance primary for the "mike," using rather heavy wire. This primary takes the place of the old, high-resistance primary, which is left unconnected.

If a suitable radio set is available, it may be called into service, connecting the home-made microphone in the manner described in last month's article.

## Tone-Control Design for Your Set

(Continued from page 409)

### A True-Tone Circuit

Just how to do this in a simple manner is a problem. The introduction of more capacity across the transformer windings short-circuits the high frequencies which are already lacking to an alarming degree. It is a well-known fact that the coupling of audio-frequency transformers may be improved at the low frequencies by resonating the primaries of the transformers to some particular frequency at the lower end of the audible range.

The effect upon the response curve, however, is shown in Fig. 3. Here "C" is the normal response characteristic of the transformer and "A" and "B" illustrate the effect of employing such a circuit as that of Fig. 2; where the capacity C, connecting the high end of the choke and the transformer primary, is of such value as to resonate with the transformer primary at some low frequency (40 cycles for example; resonating the primary at sixty cycles would increase the hum to an undesirable extent). The feed choke L, through which the plate current flows, is an "Amertran 103" choke or a similar device of high inductance. The condenser C should have a capacitance of about 0.25-mf., which is an average value based upon an inductance of fifty henries for the primary of the transformer T. (The by-pass condenser does not enter into the calculations, but should be 0.5-mf. or more.)

You will note that, in Fig. 3, the "resonance hump" in the response characteristic is lower in curve "B" than in "A"; the introduction of resistance into the resonant circuit decreases the voltage effective across the inductance at the resonant frequency. Here we find a method of controlling the low-frequency response. A fifty-thousand ohm variable resistance R is inserted in the return lead from the low end of the transformer primary. This value will give a variation in response, over the range indicated by the curves "A", "B" and "C"; which now indicate the response at the lower frequencies over the control range. Now, the louder the reproduction desired (above the original level), the greater the resistance in the circuit for accurate reproduction.

Here we have a tone control which may be adapted to existing receivers; either by remodelling the set, or by using an adapter.

Such an audio system is based upon the actual physiological conditions involved in

listening to a reproduction; and not upon the desire for the most pleasing effect regardless of fidelity.

### Tone Control for the Trade

For the Service Man, the most desirable unit must be one which will enable him to secure the same results obtained in recent commercial receivers, without altering the wiring of an old receiver to a major degree. Such a device may be employed, by making slight changes in the values of the components, in any receiver, whether equipped with a magnetic or a dynamic reproducer. This device is to be inserted in series with the windings of a magnetic speaker, or with the moving coil of the dynamic. (Fig. 4).

In the case of the magnetic reproducer the values would be as follows: L, 1 henry; C, .05-mf.; R, 50,000-ohm potentiometer. For use in series with a 15-ohm moving coil the constants would be: L, 2 millihenries; C, 4-mf.; R, 200 ohms.

The effect of this device will be to attenuate the lower or the upper register, as desired, in a manner similar to that employed in the finer broadcast receivers of today. The connections given in Fig. 4 are self-explanatory. It might be well to provide a switch SW to short-circuit the resistance, and cut the tone control out of the circuit, when desired.

When a magnetic reproducer is used, a coil having approximately the desired value for L may consist of about 300 turns of No. 32 insulated wire, bunch-wound on any convenient core. For use with a dynamic reproducer's voice coil, this inductance may consist of no more than 50 to 75 turns of No. 16 to 18 insulated wire.

The two systems explained represent the two extremes—the search for maximum fidelity on one hand, and the search for the most pleasing tone on the other. The writer would suggest that the first method be used in the experimental reader's own receiver—where he can afford to buck the trend of the day in order to obtain maximum personal satisfaction. The second method is fine for use in adding tone control to an obsolescent receiver; for the effect is startling in its action.

(See also, "How Tests of Audio Quality are Made," page 632, in the June, 1930, issue of RADIO-CRAFT.—Editor.)

**Make a Profit from Every Service Call!**

When tubes blow... filter equipment fails... tone quality suffers... look to line voltage fluctuations

**AMPERITE** automatically regulates voltage variations up and down between 100 and 140 volts to exact requirements.

Easily installed in any electric radio in 5 minutes without chassis changes. Satisfies customers... reduces free service... pays you a profit.

A type for every electric radio, including yours. Ask your dealer or write us giving your set name and model. Address Dept. RC-1



**AMPERITE Corporation**  
561 BROADWAY NEW YORK

**AMPERITE**  
Self-Adjusting  
LINE VOLTAGE CONTROL

**WORLD-WIDE SHORT WAVE RECEIVER**

ONLY **6.45**

Span the World with this Set!

A new radio thrill for you! Listen in DIRECT to London, Paris, Berlin, Buenos Aires and other broadcasting stations throughout the world via short waves. Enjoy unique foreign programs from strange lands. Your ordinary receiver cannot tune in these low wave stations. **WORLD-WIDE RECEIVER** gets 14 to 550 meter stations with surprising clarity. **SEND NO MONEY!** Just write your name and address on a postcard and ask us to send you this wonderful guaranteed short wave set. Pay postman \$6.45 plus a small delivery charge. All orders West of the Rockies must be accompanied by \$1.00 deposit. Foreign countries must remit in full. Write today!

### NEW RADIO BARGAINS

- Low Power Transmitter adaptable for phone or code. With plug-in coils .....\$14.75
- Auto Radio**—Uses 3—221, 2—227 tubes and 1—215 power tube, single dial, tremendous volume. Compact. Fits any car. We guarantee this set to perform better than sets selling up to \$150..... 20.00
- B Eliminator**, lone Dry with 280 tube, 180 volts, will operate up to ten tube set, fully guaranteed... 6.75
- AC—A B C Power Packs**, completely assembled..... 8.75
- Tubes: 1'N type, 30-day replacement guarantee. No. 210, \$2.25; No. 250, \$2.45; No. 251, \$1.85; No. 215, \$1.25; No. 221, \$1.25; No. 227, 75¢; No. 226, 65¢; No. 171, 75¢.
- International Microphone**, two button for public address system and transmitters, speech or music.....\$9.75

CHAS. HOODWIN CO.

4240 Lincoln Ave., Dept. A-15, CHICAGO

**Radio's Biggest Values**

Up-to-the-minute offerings at lowest wholesale prices. Includes newest Tone Control, Screen Grid Superheterodyne, Radio-Photograph combinations, short wave receivers, automobile radios, public address. Attractive walnut consoles and latest accessories, parts and kits. Don't buy until you see our big catalog.

**Send for FREE Complete Catalog**

**Western Radio Mfg. Co.**  
128 W. Lake St. CHICAGO

Turn to page 430 of this issue and read the special offer to those who are actively engaged in radio.

# Hotel Directory of the Radio Trade

◆ ◆ The hotels on this and the opposite page are patronized by the Radio Trade. Make them your headquarters. ◆ ◆



**\$3.00**  
Per Day  
and Up

**800**  
Rooms  
800 Baths

*Old Fashioned Hospitality  
in a Modern Setting*

In the Grand Central Section, 10 minutes  
from Penn. Station, near Times Square,  
Fifth Avenue shops and important com-  
mercial centres and theatres.

*Radio in Every Room*

Single Rooms \$3 to \$5 per day  
Double Rooms \$4 to \$6 per day

S. Gregory Taylor, *President*    Oscar W. Richards, *Manager*

**HOTEL MONTCLAIR**  
48<sup>th</sup> TO 50<sup>th</sup> ST.  
AND LEXINGTON AVE.  
**NEW YORK CITY**

*The* **Belvedere**  
**FORTY EIGHTH STREET**  
WEST of BROADWAY  
*New York*

Resident and Transient

450 OUTSIDE ROOMS  
Each With Bath and Shower  
Serving Pantry



**\$3 to \$6 PER DAY**  
Special Weekly or  
Monthly Rates  
Best Food in New York

D. M. PEPPER  
MANAGING DIRECTOR

## Radio-Craft Kinks

*(Continued from page 416)*

telephone or high-ratio audio transformers; while condenser C (ordinarily about .01-mf.) may be varied for different tones. The telephone receiver is designated as H; the microphone, M; the voltage supply for the microphone, A (which will vary with each mike—although its average value is 3 to 4½ volts).

If no microphone is available, one may be conveniently made by mounting on the diaphragm of the receiver a "microphone button," obtainable for about a dollar. The assembly is to be taped together and placed in a box, padded with felt or cotton to prevent the audio howl being heard in the room.

### A TEMPORARY FUSE

By J. B. McGirt

**T**HE writer ran across this "kink" when the new Crosley screen-grid models first came out. The sets were equipped with a 1-amp. fuse and frequently, when the radio was first put in use, the fuse would blow; whereas the fuse would hold if the heater-type tubes could be brought up to operating temperature. To keep from blowing so many fuses, I resorted to a tinfoil fuse.

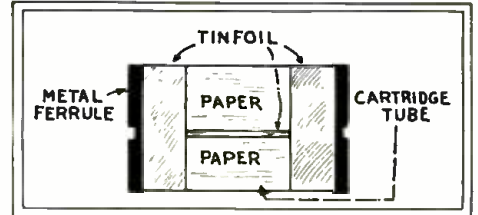


Fig. 6

*A way to renew an old fuse.*

Take a piece of tinfoil on paper (such as you find around chewing gum and cigarettes) and cut it to a size that will just about go around the old fuse tube. Next, cut away a portion of the paper and tinfoil; and your fuse then should look like the one illustrated.

Ordinarily, the least amount of tinfoil that can be left is about right; although it can be made to fuse at higher current levels by making the conducting strip wider.

## Tone Controls

*(Continued from page 411)*

Instead of the fan switch, a selector switch may be used in, for instance, the coupling-condenser-variation idea, as shown in Fig. 9; different values of capacity are required, since they do not add up as when a fan switch shunts the capacities.

Another suggestion of the writer, for cases when it is desired to obtain a gradual change of the coupling-condenser value, in effect, is shown in Fig. 10. The advantage of this combination is that, although the volume is reduced, there is greater reduction of the low notes than of the high; an effect opposite to that obtained when condensers are used to by-pass the high frequencies around transformer windings. To insert the units R and C, the connection between R1 and C1 is broken at X.

*(To be continued in February RADIO-CRAFT.)*



## Information Bureau

(Continued from page 420)

against the stationary field of the permanent magnet. This reaction is physical, and the coil, being freely suspended, moves in proportion to the amount of current through it. However, alternating current, flowing through this winding, at the rate of, say, 60 cycles, changes polarity so rapidly and is attracted and repelled so fast, that the coil cannot follow it. If there were some means of changing the field of the permanent magnet, at the same rate as the change in the moving coil, there would be continuous repulsion; and the needle would indicate truly.

This action may be obtained by discarding the permanent magnet and substituting two coils (N, S, shown at the left). These are connected in series with the moving coil, so that alternating current through these coils changes polarity at the same rate as the current through the single moving coil. This produces continuous repulsion, and indication on the A.C. meter scale.

### 57 ELEMENTS IN VACUUM TUBES

(104) Mr. Warren Hale, Mountainside, N. J. (Q.) Mention has recently been made that there are 57 elements that enter into the construction of vacuum tubes. Is there any record of the names of these elements?

(A.) While the statement as to the number of elements is essentially true, the actual count varies from time to time, as the designs are modified; while the elements are, in the main, representative of most vacuum tubes. A late list of these elements is given below, by courtesy of the R.C.A. Radiotron Co.

Hydrogen	Aluminum	Tungsten
Sodium	Yttrium	Chlorine
Potassium	14 Rare Earths*	Helium
Caesium	Carbon	Neon
Copper	Silicon	Argon
Silver	Titanium	Iron
Calcium	Tin	Cobalt
Strontium	Lead	Nickel
Barium	Phosphorus	Iridium
Magnesium	Tantalum	Platinum
Zinc	Oxygen	Thorium
Mercury	Chromium	Nitrogen
Boron	Molybdenum	

\* (The "rare earths" include the metallic elements cerium, lanthanum, praseodymium, neodymium, illinium, samarium, europium, gadolinium, terbium, dysprosium, holmium, erbium, thulium, ytterbium and lutecium which occur together and are hard to separate. They are used for coating filaments.—*Editor*.)

The different elements and materials are used as follows in different parts of the tubes:

GLASS	
Silica	Borax
Sodium carbonate	Zinc oxide
Calcium oxide	Cobalt oxide
Sodium nitrate	Potassium carbonate
Lead oxide	
BASES	
Bakelite	Copper
Porcelain	Nickel
Glass	Tin
Wood fiber	Marble flour
Zinc	Ethyl alcohol
FILAMENTS	
Tungsten	Silicon
Thorium nitrate	Barium carbonate
Carbon	Strontium carbonate
Nickel	Calcium
Cobalt	Barium nitrate
Iron	Strontium
Titanium	
GRIDS	
Nickel	Copper
Monel	Chromium
Molybdenum	
PLATES	
Nickel	Iron
Monel	Tantalum
Molybdenum	
LEADS	
Iron	Zinc
Nickel	Borax
Copper	
SUPPORTS	
Glass	Nickel
Mica	Molybdenum
Lava	Monel
Isolantite	

(Continued on page 446)

## HOTEL DIRECTORY OF THE RADIO TRADE

### HOTEL CUMBERLAND

54th Street and Broadway

New York City

3 Minutes to Times Square

*Close to Everywhere—but Removed from the Noise and Clamor*

A modern fireproof hotel with every modern hotel convenience. Within walking distance of theatres, shops and business sections.

**DAILY RATES: Room and Bath, \$2 and \$3 per day**

Special Weekly Rates

Under the Personal Management of Joseph Goulet  
formerly of Hotel Woodstock, New York City  
**FREE CATALOG FROM ANY RAILROAD DEPOT**



"SOUTH OF THE MASON-DIXON LINE" is but another way of saying "Hospitality"

### HOTEL LUDY

South Carolina Avenue at the Boardwalk  
Atlantic City's Newest Centrally Located Fireproof Hotel  
IS South of the Mason-Dixon Line  
Its RATES are as PLEASING as its hospitality  
\$5 up Daily — American Plan — \$30 up Weekly  
\$2.50 up Daily — European Plan  
Fireproof Garage Attached  
R. B. LUDY, M.D.

The HOTEL

# LUDY

ATLANTIC CITY, N.J.

### SERVICE MEN — DEALERS

A few minutes of your time NOW, spent in reading the interesting announcement of the OFFICIAL RADIO SERVICE MANUAL which appears on page 390 of this issue, might save you hours of time in servicing in the future. Every dealer, Service Man and custom set builder should have a copy at his disposal.

# RADIO'S GREATEST BARGAINS

THIS month we are offering a great variety of battery sets at such ridiculously low prices that they cannot fail to astonish you.

These sets are so-called store demonstration models and are not sold as brand new. However, all sets have been carefully tested and put into good shape and we guarantee them to be in good working order.

All other merchandise listed on this page is brand new and is shipped in

original factory sealed cartons and carries the same guarantee of absolute satisfaction.

Act immediately as the supply is limited and we reserve the right to return remittances as soon as items are sold out.

In many instances, our sale prices are lower than the actual manufacturer's cost. For terms, see bottom boxes.

## Radiola 25 Superheterodyne



The "25" is a loop-operated set requiring 6 "X 199" tubes. No outside aerial is needed. The receiver has "10-ke selectivity. Tuning of this receiver is accomplished through large "thumb-operated" tuning drums, so designed that stations may be "logged" directly on the drums. The small center knob controls a multiple contact switch which changes the circuit to include one or

two stages of A.F. A two-tube mahogany veneer cabinet of original pattern houses the chassis and batteries. Its overall dimensions are 28x14x12 inches high. Shipping weight, 35 lbs.  
List Price \$265.00.  
**YOUR SPECIAL PRICE ..... \$10.95**

## Radiola 28 Superheterodyne



is a "Second Harmonic" superheterodyne. However, the circuit of the "28" includes 7 type X199 tubes and 1 type X120 tube. The Radiola 28 includes 3 S.L.F. condensers, 2 1-mf. safety-lamp by-pass condensers; center-tapped loop (necessitated by the stage of neutralized R.F.); 1 off-on switch; 2 filament rheostats; 1 4-coil R.F. inductor; 2 jacks; and the special 8-socket "catanub" containing the I.F., R.F. and A.F. transformers. Coast to coast reception is a rather usual accomplishment! Uses 2

drum dials—space for station logging thereon. Many ease ways of electrifying this receiver. Receiving loop—greatly assists tuning. Access to battery compartment obtained by raising receiver on hinge. A pressed steel frame supports the chassis equipment. The mahogany cabinet has the general appearance of a secretary.  
List Price \$295.00.  
**YOUR SPECIAL PRICE ..... \$24.98**

## Radiola Superhet. AR-812



One of the most famous radio sets in America. This set placed on a table, the battery switch turned to "on," and music will be heard, —without an outdoor antenna; it works with a loop aerial built inside the cabinet. The set is super-sensitive and, in certain localities, it is possible, on the east coast, to hear west coast stations. The cabinet holds all the batteries for the six "dry-cell" tubes required. Some experimenters tune in short wave stations and use the AR-812 as the INTERMEDIATE FREQUENCY AMPLIFIER. In that way the tremendous amplification obtainable from this receiver is used to the fullest extent. A push-pull switch (center) turns the set on and off; another, (lower left) cuts in either one or two stages of A.F. amplification. Although the cabinet is 35 inches long, 11 1/2 deep and 11 1/2 high, the panel of the receiver is only 19 inches long and 9 inches high. The difference lies in the two end compartments for "A" and "B" batteries. Six type UV199 tubes are required for this receiver. Dry-cell power tubes, the type "20," may be used in this set if a Naald or similar adapter is used. Shipping weight 45 lbs.  
List Price is \$220.00.  
**YOUR SPECIAL PRICE ..... \$10.95**

## The Radiola 20



Two stages of tuned frequency amplification, a regeneration detector, and two stages of A.F. amplification, using 4 type X199 tubes and a X-120 for the last audio stage. Is the arrangement of this receiver. The A.F. transformers used in this set are perfectly designed for the required performance. Heavy, soft iron encases the windings, and the frequency characteristic is exceptionally good. Cabinet is mahogany, overall dimensions are: 19x16x11 inches high. Shipping weight 35 lbs. List Price \$102.50.  
**YOUR SPECIAL PRICE ..... \$12.50**

## Stromberg-Carlson 523

This fine set uses 4 201A and 1 200A tubes. The cabinet is one of the finest ever made for radio sets. A slanting beautifully grained wooden panel carries the tuning es-cutechions. The panel controls include a "Long-Short Antenna" switch; 3-ohm and 20-ohm rheostats; "On-Off" snap switch; audio output jack; and a Weston 0-7 voltmeter. The jack on the panel is for phonograph pickup. A neodyne circuit is used. 26 long x 11 deep x 13 inches high. Shipping weight 75 lbs.  
List Price \$160.00.  
**YOUR SPECIAL PRICE ..... \$24.95**



## Atwater Kent 30 Compact

One of the best sets Atwater Kent produced. It is a six-tube set. Three stages of R.F. amplification, detector, two stages of A.F. amplification. And, single dial control. Even as an ordinary battery set it will sell on sight, as the glossy, molded bakelite "full vision" dial, volume controls, and highly gilded metal parts present an attractive appearance. There is a venetian wheel at the lower edge of the dial, for fine tuning. The variable condensers are 16-plate type. The two A.F. transformers are shielded. These transformers may be used as replacements as they will fit into almost every set. The sockets are demountable. Overall dimensions are 20x6 1/2 x 10 1/2 inches high. Shipping weight 20 lbs. A 6-wire color-coded cable 6 ft. long is included. 3 type 201A tubes and 1 type 112A or 111A are recommended for this receiver.  
List Price \$80.00.  
**YOUR SPECIAL PRICE ..... \$14.95**



## Atwater Kent Model 35

One of the most compact receivers ever offered to the public. 3 stages R.F., 3 variable condensers are used. Overall dimensions are: 17 1/2 x 8 1/2 inches. The chassis is housed in a brown crackle-finish pressed metal cabinet. This is a "one-dial control" receiver. Incorporated in this set is a 6-wire cable, each wire of which is rubber insulated and "color coded." This shielded receiver has very high "gain" and may be used with antennas of any length, without in the least affecting the tuning. The variable condensers are of the "single bearing rotor" type. This set takes the following tubes: 5 type-201 and one type-112A or 111A tubes. Shipping weight 16 lbs. List Price \$65.00.  
**YOUR SPECIAL PRICE ..... \$14.95**



## Atwater Kent 20 Compact

Five 201A tubes are used in this very sensitive and selective tuned radio frequency set. Dimensions: 20x6 1/2 x 6 1/2 inches high. A six-wire cable, "color coded," 6 ft. long, is included. Cabinet is finished in walnut. The panel is metal, finished in flat brown. Variable condensers having 16 plates are used. The variable condensers are independent of the receiver chassis. 3 brown molded "full vision" dials are used. A 3-point switch on the panel selects taps on the first R.F. coil, for "local" or "distance" reception. Non-oscillating. Easily re-wired for A.C. operation. Shipping weight 20 lbs. List Price \$60.00.  
**YOUR SPECIAL PRICE ..... \$10.95**



## Freed-Eisemann NR-5 (Neurodyne)



A solid walnut cabinet with a piano finish is the housing. Jacks for 1st and 2nd A.F., and detector output are provided. Hard rubber insulated variable condensers (15-plate) are used. There are two glass-insulated "neodyne" dials; 3 "full vision" molded tuning dials; 3 molded rheostat knobs; 2 A.F. transformers and 3 tuning condensers. Overall dimensions are 28 x 9 x 9 inches. The panel is black bakelite, engraved and highly polished. Shipping weight 30 lbs.  
List Price \$145.00.  
**YOUR SPECIAL PRICE ..... \$7.95**

## Ware Type T. Neurodyne



This is the most economical in operation of all radio sets. The circuit is that of a REFLEXED NEUTRODYNE incorporating 3 UV-199 tubes. The mahogany cabinet is 11 in. long and 13 in. deep. This design provides room for the "A" supply of 3 dry cells, 2 "B" and 1 "C" battery. There are 2 15-plate variable condensers; 2 neurodyne-type R.F. transformers; 2 A.F. transformers, rheostat, 2 jacks, R.F. choke, 2 tuning dials, shock-absorbing mounting for the 3 tubes. Shipping weight 16 lbs.  
List Price \$65.00.  
**YOUR SPECIAL PRICE ..... \$5.95**

## 245 A.C. Power Transformer

For five 224 (or five 227), two 245, one 280 A.C. tubes, OR ANY COMBINATIONS OF 2 1/2-VOLT TUBES. All secondary windings CENTER TAPPED. 600-VOLT HIGH VOLTAGE SECONDARY. 75 WATT CAPACITY. Size 5 1/4 x 1 1/4 x 3 1/4 inches. For 110 volt, 60 cycle, A.C. Shipping weight 12 lbs.  
List Price \$15.00.  
**YOUR SPECIAL PRICE ..... \$3.40**



## 2 1/2 Volt A.C. Fil. Transformer

Two windings, both center tapped. One "lights" six 227 or six 224 2 1/2-volt tubes and the other lights two 245 tubes. Total: 11 amps. For 110 volt, 60 cycle, A.C. Size 1 1/2 x 2 1/2 x 3 1/4 inches. Shipping weight 6 lbs.  
List Price \$10.00.  
**YOUR SPECIAL PRICE ..... \$2.75**



## Freshman "Masterpiece" B



It is finished in grained walnut to match the veneer of the cabinet. Tapered pressed-metal knobs through a 9-tu-1 ratio gear control the tuning condensers, the dial setting being observed through windows. Volume, as well as regeneration and oscillation, is adjusted by the two "levers," which are rheostat-arm control. An off-on switch completes the panel layout. Set uses 5 201A tubes. Two type "30" A.F. transformers are used, ratio of about 5 to 1. Three 19-plate variable condensers are riveted to the frame. Zig-zag-wound coils constitute tuning inductances. A power tube may be used in the last stage of A.F. amplification, if desired. Shipping weight 30 lbs.  
List Price \$75.00.  
**YOUR SPECIAL PRICE ..... \$6.95**

## Earl Power Transformer

Make money re-winding the old battery set. This power transformer used in Earl Model 122 receiver easily completes "11" and "20" potentials for two "27's" (or screen grid "24's"), three "26's," two "71A's" and one "80" rectifier; total current output of high-voltage winding at maximum output (about 200 volts) is 80 ma. High voltage secondary, filament winding for "27's," and for "71A's" are center-tapped. May be used in any number of combinations. Suitable resistors, a couple of 1-mf. filter condensers, two 30-henry chokes and by-pass condensers complete fine power pack. Size 3 1/2 x 3 x 2 1/2 inches. 16 long leads and full wiring directions. Shipping weight 5 lbs. List Price \$7.50.  
**YOUR SPECIAL PRICE ..... \$1.75**



## Allen Hough ROTROLA



This remarkable new instrument enables you to play phonograph records through your radio loud speaker. Plug into any radio set, whether same uses batteries or A.C. Connected to your radio in a jiffy. Equipped with fine electric motor operating only on A.C., 60 cycles, 110 volts. New Webster pick-up, volume control; special constant speed electric motor. Beautiful portable cabinet. Full bronze trimmings. In factory sealed case. Shipping weight 18 lbs. List Price \$45.00.  
**YOUR SPECIAL PRICE ..... \$13.50**

## Replacement Power-Pack Condenser Blocks



Exact duplicate, biserial size, placement of connection terminals, and electrical specifications of original blocks. For Majestic 171 type receivers ..... \$5.75  
For Majestic 250 type receivers ..... \$5.75  
For Majestic 215 type receivers ..... 5.75  
For Atwater Kent 37 ..... 5.75  
For Freshman M-12 ..... 5.75  
For Majestic "B" Eliminator ..... 2.90  
For Majestic Master "B" Eliminator ..... 2.90  
For Majestic Special Master "B" Eliminator ..... 3.80  
For Majestic "A" Eliminator ..... 4.40

## Utah Dynamic A.C. Power Speaker—Model 33A

110-volt, 60-cycle A.C. light socket supply for field excitation with Westinghouse dry rectifier. 9 in. high, 9 1/2 in. wide, 7 1/2 in. deep. Speaker cones packed in wooden crate. Weight 19 lbs. It is one of the most powerful as well as best reproducers in the market. 9-inch cone.  
List Price \$50.00.  
**YOUR SPECIAL PRICE ..... \$7.50**

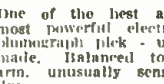


## A.C. Phonograph Motor



SYNCHRONOUS—resolves EXACTLY 80 turns per minute despite any voltage variations. Most compact made—only 1 1/2 in. thick—mounts in any limited space. For 110 volt, 60 cycle, A.C. Complete with turntable. Shipping weight, 10 lbs. List Price \$15.00.  
**YOUR SPECIAL PRICE ..... \$4.45**

## Pacent "Phonovox" Pick-up



One of the best and most powerful electric phonograph pick-ups made. Balanced tone arm, unusually sensitive. Shipping weight 7 lbs.  
**YOUR PRICE ..... \$4.85**



WE ARE A WHOLESALE HOUSE AND CANNOT ACCEPT ORDERS FOR LESS THAN \$3.00. If C. O. D. shipment is desired, please remit 20% remittance, which must accompany all orders; balance on delivery. If the full cash amount accompanies the order, you may deduct 2% discount. Send money order—check—U. S. stamps (any denominations).

**Radio Trading Co.**  
25 West Broadway  
New York, N. Y.

Should you wish goods shipped by parcel post, be sure to include sufficient extra remittance for same. Any excess will be refunded. We have no catalog—order from this page; you will find special offers from time to time in this magazine. Prompt shipments will be made.



## Short-Wave Notes

An unprecedented occurrence followed the recent revolution in Argentina, when Gen. José F. Uriburu, the new provisional president, addressed not merely his own countrymen, but the world at large, to announce the new policies. The address, broadcast from the Argentine transmitters on the longer waves, was also transmitted to the United States over a Buenos Aires-New York telephone link, and there rebroadcast by the N. B. C.; so that it was heard simultaneously throughout both continents. On the occasion, a week before, when Gen. Uriburu took the oath of office, more than three hundred thousand persons, gathered before the presidential palace, heard clearly the ceremonies through the public-address system which had been erected for the occasion, according to *Revista Telegrafica*.

To connect the Hawaiian Islands together by telephone, authority has been given by the Radio Commission to the Mutual Telephone Company to use waves from 13 down to 5 meters. This would appear to be the first application commercially of waves so short.

The tank service of the British army now utilizes a standard transmitter, designed, for work between 7 and 8 meters, by the Marconi Co. As the tank forms a very substantial "shield can," it is necessary to provide an external antenna which is in the form of a 12-foot copper plated rod. The immediate range of such transmissions is necessarily short. The power for the tubes is derived through a rotary transformer from a 12-volt storage battery; 600 volts is applied to the plates.

While commonly, short waves are freer from "static" than the longer ones, it was recently reported to the French Academy of Sciences that the aurora borealis had, one night last September, made it necessary to change from 30 meters to 17,000 to maintain the New York-Paris radio service; and similar troubles were experienced in communication between Paris and Japan and South America.

Telephony across the Tasman Sea, between Australia and New Zealand (about fifteen hundred miles) is in view; and the tests of station ZLW, Wellington, N. Z., with VK2ME, Sydney, have been heard in this country. Through the latter, New Zealand would be able to connect with the European and American telephones.

Station LSX, Buenos Aires, which has been testing with 20 kilowatts on 28.98 meters (10,350 kilocycles) and has been heard in this country—it was the means used to transmit Gen. Uriburu's speech, above mentioned—is to be used later for commercial telephony. Reports on tests are solicited by the operator, the Transradio Internacional, San Martin 329, Buenos Aires, Rep. Argentina.

For a long time, "Paris Experimental" has been listed in French and other radio publications as a powerful short-wave transmitter and, since it was not licensed, was a "mystery" station. It now appears from *L'Antenne* that, while it had originally 25 watts, the fervent imagination of its youthful operators caused them to send out announcements, duly published, of transmissions on 6 kilowatts—and some listeners with good imaginations seem to have heard it clearly. The practical jokers are now in the hands of the police and, while the well-known sense of humor of the French will probably mitigate their punishment, it is to be hoped that future falsifiers of the station list will be discouraged.

## Book Review

(Continued from page 413)

ever—unlike the senates of Rome and Carthage, or the English and the Dutch East India Companies—the business organizations of the future will be able to settle their trade rivalries without calling on the naval and military arms for support, as the author predicts, is a matter unsuitable for consideration in the pages of a journal of radio.

Throughout the body of the book, radio is considered especially for its influence as a colleague, or as a competitor, of the newspapers; and it is treated as a disseminator of news, of advertising and of propaganda, in turn. The author declares that it is essential that the various broadcast stations of this country, unlike those of other nations, shall remain in diversified ownership; and that "The newspapers of America should never make the supreme mistake of standing idly by and permitting broadcasting to become a bureaucratic creature."

# BARGAINS

## COMBINATION "A.B.C." POWER PACK



At the tremendously low prices at which the merchandise below is offered, every radio dealer, service man or mechanic should equip himself with stock for future use. It is probable that such low prices will not prevail for long.

**WIRED READY FOR USE**  
Built with high-grade parts. Supplies "A.B.C." Voltages for 5-226's, 2-227's, 2-171A's, 1-280.  
105-120 Volts — 50-60 Cycle  
Delivers over 125 Mills and up to 300 volts "B" power. The Power Transformer is designed to take care of a D.C. DYNAMIC SPEAKER, two connections being provided on the pack for same. It need not be used immediately, but may come in handy at some future date.

**Price Now \$6.75**

## THORDARSON Input and Interstage Transformers



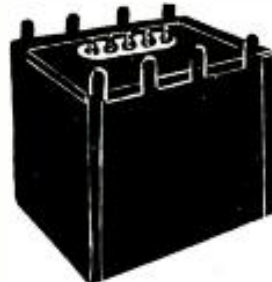
A Transformer possessing a ratio of 2 to 1. Built primarily for use with 210, 250 and 245 types of power tubes in push-pull stage.  
Size 3½x3x3¼ inches  
Weight 3½ lbs.

List, \$12.00

Your Price, \$3.95

## VICTOR REPLACEMENT CONDENSER BLOCK

For Replacement in All Victor Sets



Total capacity 10¾ Mfd. 600 working voltage. Size: 5¼ in. long, 5 in. high and 4 in. wide. Housed in metal can.

Your Price, \$2.90

## B.B.L. GIANT ELECTRIC Motor Speaker Chassis



Contains a GIANT MODEL UNIT. Note the HUGE MAGNETS. Surpasses all other magnetic speakers, and most dynamics. Every note and tone in the musical register is faithfully reproduced, with no distortion or rattles. MUSIC AS IT SHOULD BE. Equipped with switch arrangement offering choice of 3 impedances to match any amplifier output characteristics — an exclusive feature.

No field current required—no rectifiers. Shipping weight, 10 lbs.

No. 421-E-2. 9-in. DIAPHRAGM.

List, \$14.00

Your Price, \$7.25

## PEERLESS (SPRAGUE) Filter Condenser Block

Used in Peerless Courier Sets



Total Capacity 7 Mfd. Working voltage 500 5½ in. high, 2¾ in. wide, 2¼ in. deep

Red—2 mfd., 600 V.  
Blue—1 mfd., 400 V.  
White—Common for above  
Green—1 mfd., 300 V.  
Brown—1 mfd., 300 V.  
Yellow—½ mfd., 200 V.  
Orange—½ mfd., 200 V.  
Black—Common for above

Your Price, \$1.45

## EVEREADY and BOSCH Filter Condenser Block

For 1928-29 Models

Your Price, \$4.65



## EDISON PUSH-PULL INPUT TRANSFORMER

1—Grid 4—Grid  
2—Fil 5—Plate  
3—Fil 6—B plus

RATIO 3x1—For replacement for use with 171A—245—250 tube. Electro statically shielded.

Your Price, 90¢



## TUBE SALE

Regular SILVER SHIELD Vacuum Tubes — 100 per cent. replacement within three months provided they still light.



X201A	.....	\$0.35
X226	.....	.40
Y227	.....	.50
Y224	.....	.75
X245	.....	.50
X280	.....	.75
X171A	.....	.50
X112A	.....	.50
X281	.....	1.05
X250	.....	1.25
X210	.....	1.25
UX199	.....	.60
UV199	.....	.65
UX120	.....	.65
WD11	.....	.75
WD12	.....	.75

NO LESS THAN SIX TUBES SOLD AT ONE TIME



## THORDARSON CHOKE

30 Henry — 100 Mills

Used as supplementary choke in Peerless Courier sets. 575 ohms res. 3½x2½x2½ inches

Your Price, 90¢ each

## THORDARSON T-2030-A FILTER CHOKES

A single open frame choke, 30 Henry, 150 M. A., D.C. Resistance, 290 ohms. 3000-volt insulation. Size: 3x3¼x3¼ inches. Weight, 3 lbs.



List, \$7.50

Your Price, \$2.70

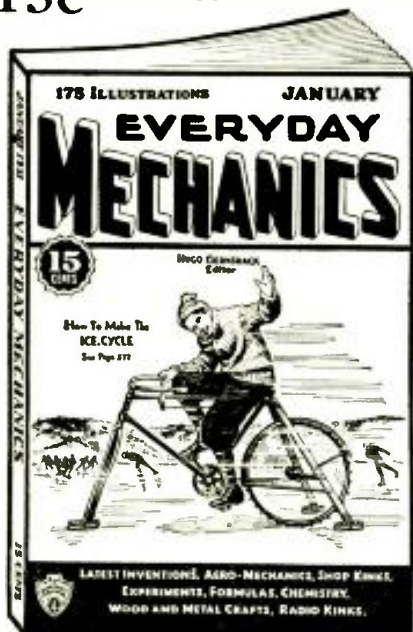
20% deposit required on all C.O.D. shipments. Shipments positively made within 24 hours.

**GRENPARK TOOL CO.** 245 Greenwich Street New York, N. Y.

# Increase your EARNING Power--

**W**HATEVER your job, you will find in **EVERYDAY MECHANICS** labor-saving kinks which will help you to get more work done in less time and will bring you recognition from your employers. If you do machine shop work of any kind, auto repairing, sheet metal work, electrical work, farming, concrete work, carpentering, tool making, poultry raising, painting, plumbing, masonry, building, glass work, welding, or general repairing, a yearly subscription to **EVERYDAY MECHANICS** will pay for itself a thousand times over in a very short time.

15c The Copy



On All Newsstands

## Make Money in Your Spare Time

Thousands of amateur mechanics and spare-time workers make \$10 to \$100 a week **EXTRA MONEY** by servicing vacuum cleaners, and washing machines; repairing automobiles; manufacturing book-racks, lamp-shades, tool chests, chairs, tables, unique ornaments, concrete articles, photo frames, flower boxes, kilders, and innumerable products in everyday use. **EVERYDAY MECHANICS** teaches you **HOW** to turn your spare time into **MONEY**.

### Contents

**SPACE DOES NOT PERMIT US TO PRINT ALL THE FEATURES IN THE CURRENT ISSUE OF EVERYDAY MECHANICS.** But the following titles will give you some indication of the interesting and valuable content:

Automobiles, Aviation, Chemistry, Construction Work, Electricity, Magic, Metal Work, Radio, Photography, Shop Work, Woodworking and new devices.

### A Special Offer

In order that you may not miss any of the splendid features now appearing in **EVERYDAY MECHANICS** and opportunities for making money from the unique "tips" that appear in every issue, the publishers will send this valuable magazine **DIRECTLY TO YOUR HOME** every month at a reduction of **ONE-THIRD** off the usual subscription price. But to take advantage of this offer you must act quickly. Tear out the coupon below and mail it today. **YOUR FIRST COPY OF EVERYDAY MECHANICS WILL BE SENT YOU BY RETURN MAIL.**

### Mail Coupon Today

**EVERYDAY MECHANICS PUB., Inc.**  
96-98 Park Place, New York, N. Y. RC-131

Please rush my first copy of **EVERYDAY MECHANICS**. I enclose

( ) \$1.00 for one year's subscription  
( ) 1.00 for two years' subscription  
( ) 2.70 for three years' subscription  
(Check one of the above)

NAME .....

ADDRESS .....

CITY..... STATE.....

NOTE: This special subscription offer may be withdrawn at any time.

(Continued from page 443)

### GETTERS

Magnesium	Cæsium
Calcium	Phosphorus
Strontium	Carbon
Barium	Tantalum
Sodium	Mischmetal
Potassium	

### GASES

Hydrogen	Argon
Helium	Nitrogen
Neon	Oxygen

### RADIO EMPLOYMENT WANTED

The writers of the following notices may be addressed in care of **RADIO-CRAFT** by the respective Opportunity numbers:

(Opportunity 94) Service Man, three years' experience including jobbing house, desires connection about the first of the year. S.O.E. resident graduate. Age 21. Single. (Minneapolis).

(Opportunity 95) Service Man, now in business for self, four years experience all makes, Capitol R.E. Inst. student, N. R. I. graduate, licensed commercial operator, seeks position as foreman, Service Man or broadcast operator preferably in west. Int will go anywhere. Age 30. Married. (Iowa.)

### CORRESPONDENTS WANTED

I would like to correspond with anyone about my age (19) who has built the battery model "Super-Wasp."

ALBERT J. SANTORO,  
203 Tillary St., Brooklyn, N. Y.

## Short-Wave Stations—When to Listen

(Continued from page 421)

Kilo-Meters	Cycles	Stations	Kilo-Meters	Cycles	Stations
48.99	6,120	...Motala, Sweden. "Rundradio." 6:30-7 a.m., 11-4:30 p.m. Holidays, 5 a.m.-5 p.m.	82.90	3,620	...00A, Döbelitz, Germany. (Television).
		—NAA, Arlington, Va. 7-8 p.m.	84.24	3,560	...02ZRL, Copenhagen, Denmark. Tuesday and Fri. after 6 p.m.
		—Ch. Hsu (Salgon), Indo-China. 6:30-7:30 a.m.	84.46-85.66	3,550-3,500	...Amateur Telephony.
		—W2XE, New York City. Relays WABC. Atlantic Broadcasting Co.	86.50-86.00	3,490-3,460	...Aircraft.
		—FL, Eiffel Tower, Paris. 5:30-5:15 a.m. 5:45-12:30, 4:15-4:45 p.m.	92.50	3,250	...W9XL, Chicago, Ill.
		—Toulouse, France. Sunday 2:30-4 p.m.			—W6XB, S.S. Metha Nelson, Fox Film Corp.
		—MTH, Illo de Janeiro, Brazil. 5-7 p.m.			—W2XDD, portable.
		—EAR25, Barcelona, Spain. 3-4 p.m.	91.76	3,160	...WCK, Detroit, Mich. (Police Dept.)
49.15	6,100	—W3XAL, Bound Brook, N. J. (WJZ, New York). 5-8:30 p.m., 11 p.m.-1 a.m.	95.48-97.71	3,142-3,070	...Aircraft.
49.17	6,095	—VE9GW, Bowmanville, Ontario, Canada. Daily, 1:45-5 a.m., noon to 7 p.m. Sundays, 5 a.m. to 7 p.m. Gooderham & Worts, Ltd.	96.03	3,124	...W00, Deal, N. J.
		—Copenhagen, Denmark.	97.15	3,088	...W10XZ, Airplane Television.
49.24	6,080	...W2XCK, Newark, N. J. Relays WOR.	97.53	3,076	...W9XL, Chicago, Ill.
49.31	6,080	—W9XAA, Chicago, Ill. (WVFL). 6-7 a.m., 7-8 p.m., 8:30-10:15, 11-12 p.m. Int. S.-W. Club programs. Sat. from 10 p.m. to 6 a.m. Sunday.	98.95	3,030	...Motala, Sweden. 11:30 a.m.-noon, 4-10 p.m.
		—W6XAL, Westminster, Calif.	101.7	to 105.3	...meters—2,850 to 2,950 kc. Television.
		—HS2PJ, Bangkok, Siam. 6-6:30 a.m.			—W3XK, Wheaton, Md., 8 to 9 p.m. except Sunday.—W2XB, New York, N. Y.—W9XR, Chicago, Ill.
49.40	6,070	—UOR2, Vienna, Austria. 5-7 a.m., 5-7 p.m. Tues. and Sat., 9-10 a.m. Thu.	104.4	2,870	...Milan, Italy. After 2 p.m.
49.46	6,065	—SAJ, Motala, Sweden. 6:30-7 a.m., 11 a.m.-4:30 p.m.	105.3	to 109.1	...meters—2,750 to 2,850 kc. Television.
49.50	6,060	—W3XAL, Cincinnati, Ohio. Relays WLW. 6:30-11 a.m., 1:30-3 p.m., 6 p.m.-1 a.m. daily.			—W2XBA, Newark, N. J., Tues. and Fri. 12 to 1 a.m.—W8XAV, Pittsburgh, Pa.—W1XB, Soumerville, Mass.—W7XAO, Portland, Ore.—W9XAP, Chicago, Ill.—W2XAP, Jersey City, N. J.—W2XCB, Jersey City, N. J. 8-10 p.m., Mo., Wed., Fri., 3-5 p.m.—W2XBO, Long Island City, N. Y.
		—W9XU, Council Bluffs, Iowa. Relays KOIL.	122.3	2,452	...W7XAU, Portland, Oregon, Police Dept.
		—W3XAU, Bberry, Pa., relays WCAU.	110.2	2,722	...Aircraft.
49.67	6,040	—W9XAQ, Chicago, Ill. (WMAQ).	124.2	2,416	...W7XP, Seattle, Wash., Police and Fire Depts.
		—W2XAL, New York.	125.1	2,398	...W9XL, Chicago, Ill.—W2XCU, Amherst, N. J.—And other experimental stations.
49.80	6,020	—W9XF, Chicago, Ill.	128.0-129.6	—Aircraft.	
49.97	6,000	—W2XBR, New York, N. Y. (W1NY).	129.0	2,325	...W10XZ, Airplane Television.
		—ZL3ZC, Christchurch, New Zealand. 10 p.m.-midnight, Tuesdays, Thursdays and Fridays.	130.0	2,300	...0DDX, SS "Bremen" and "Europa" testings.
		—HRB, Tegucigalpa, Honduras. 9:15 p.m.-midnight, Mo., Wed., Fri. From 11 p.m. to midnight Sat., Int. S. W. Club programs.	135.0	2,220	...Stockholm, Sweden.
		—EAR25, Barcelona, Spain. Sat. 3 to 4 p.m.	136.4	to 142.9	...meters—2,100 to 2,200 kc. Television.
		—RFN, Moscow, Russia. Tues., Thurs., Sat. 8 to 9 a.m.			—W2XBS, New York, N. Y., 1,200 R.P.M., 60 lines deep, 72 wide.
		—Eiffel Tower, Paris, France Testing 6:30 to 6:45 a.m., 1:15 to 1:30, 5:15 to 5:45 p.m., around this wave.			—W1XAV, Boston, Mass.
50.23	5,970	...Vatican City (Rome).			—W2XCW, Schenectady, N. Y.
51.40	5,833	—HK7, Barranquilla, Colombia. 8:30 to 10:30 p.m., exc. Sun.	142.9	to 150	...meters—2,000 to 2,100 kc. Television.
52.00	5,770	—AFL, Berkeford, Germany.			—W1XAE, Surlinfield, Mass.
52.50	5,710	—VE9CL, Winnipeg, Canada.			—W1XY, Lawrence, Mass.
52.72-54.44	5,690-5,510	...Aircraft.			—W2XBO, Long Island City, N. Y.
52.80	5,880	...OCTU, Tunis, No. Africa.			—W3XK, Wheaton, Maryland. 8-10 p.m.; Mo., Wed., Fri. 3-5 p.m.
54.02	5,550	—W8XJ, Columbus, Ohio.			—W2XBU, Pittsburg, Pa., 1,200 R.P.M., 60 holes, 1:30-2:30 p.m., Mon., Wed., Fri. 8-10 p.m., exc. Sat. and Sun.
54.51	5,500	—W2XHH, Brooklyn, New York City (WBBC, WGH).			—W8XAV, Pittsburg, Pa.
56.70	5,300	—AGJ, Nauen, Germany. Occasionally after 7 p.m.			—W9XAA, Chicago, Ill.
58.00	5,170	—OKIMPT, Prague, Czechoslovakia. 1 to 3:30 p.m., Tues. and Fri.			—W9XAC, Chicago, Ill.
		—PMB, Sourabaya, Java.			—W9XG, West Lafayette, Ind.
59.96	5,000	...Bratislava, Czechoslovakia.			—W10XU, Wheaton, Md. (Airplane.)
60.90	4,920	...LL, Paris, France.	150	2,000	...RA72, Smolensk, USSR.
61.22	to 62.50	...meters—4,800 to 4,900 kc. Television.	149.9-174.8	—2,000-1,715—Amateur Telephony and Television.	
		—W8XK, Pittsburgh, Pa.—W1XAV, Lexington, Mass.—W2XBU, Beacon, N. Y.—WENR, Chicago, Ill.	174.0	1,723	...ZL2XS, Wellington, New Zealand.
62.56	4,795	—W9XAM, Elgin, Ill.	175.2	1,712	...WKDU, Cincinnati, Ohio. (Police Dept.)
		—W3XZ, Washington, D. C.			—WMP, Framingham, Mass. 11 a.m., 1 and 5 p.m. daily. Music and police reports.
		—W5XDD, portable. Bell Telephone Laboratories, New York.			—WRBM, Cleveland, O. (Police Dept.)
62.69	4,785	...Aircraft.			—KGJX-Pasadena, Calif. (Police Dept.)
		—W9XL, Chicago, Ill.			...St. Quentin, France.
		—And other experimental stations.			—F8FY, Cannes, France. 5 p.m. Wed.; 4 a.m. Sunday.
62.70	4,785	—VZA, Drummondville, Canada.	176.5	1,700	...Orly, France.
62.80	4,770	—ZL2XX, Wellington, New Zealand.	178.1	1,681	...WDKX, New York, N. Y. (Police Dept.)
63.13	4,750	...W00, Deal, N. J.	180.4	1,662	...Michigan State Police.
		—W2XDD, Ocean Gate, N. J.	186.6	1,608	...W9XAL, Chicago, Ill. (WMAQ) and Aircraft Television.
65.22	to 66.67	...meters—4,500 to 4,600 kc. Television.			—W2XY, Newark, N. J.
		—W6XC, Los Angeles, Calif.	187.0	1,601	...W2XCU, Wired Radio, Ampere, N. J.
67.65	4,430	...00A, Doberitz, Germany. 6 to 7 p.m. 2 to 3 p.m., Mon., Wed., Fri.			—W2XCD, DeForest Radio Co., Passaic, N. J. 8-10 p.m.
70.00	4,280	—OHK2, Vienna, Austria. Sun., first 15 minutes of hour from 1 to 7 p.m.			—W9XK, Cartersville, Mo.
70.20	4,273	—RB1S, Khabarovsk, Siberia. 5-7:30 a.m.			—W3XK, Dallas, Texas.
		—G2GL, S.S. "Homeric."			—W2XDD, portable
72.70	4,120	—G2GN, SS. "Olympic."			...Ornskoldvik, Sweden.
		—G2IV, SS. "Majestic."			—And other experimental stations.
71.77-72.98	4,180-4,100	...Aircraft.	187.9	1,596	...WRBC, New York, N. Y. (Fire Dept.)
72.87	4,116	...W00, Deal, N. J.			—WKOT, Detroit, Mich. (Fire Dept.)
74.72	4,105	...NAA, Arlington, Va. Time signals 8:55-9 a.m., 9:55-10 p.m.			—W7XP, Seattle, Wash. (Police and Fire Depts.)
80.00	3,750	—F8KR, Constantine, Tunis, Africa. Mon. and Fri.	192.3	1,560	...Scheveningen, Holland.
		—Turin, Italy.	196	1,530	...Karlskrona, Sweden.



*\$75,000.00 worth of standard merchandise at 75% off!*

# SEND FOR BIG FREE CATALOG

**Going Big!**

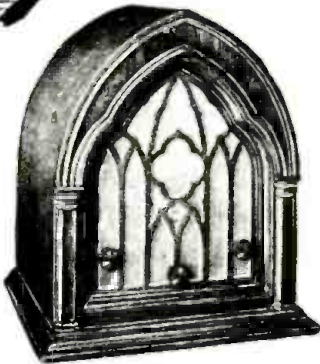
*You are not fully equipped without our 40 page Catalog.*

## THE NEW MELORAD

Cathedral Tone

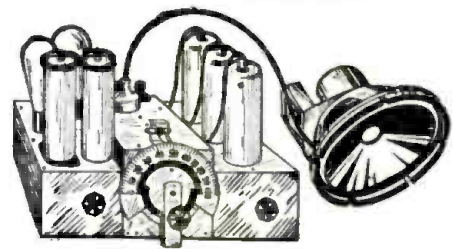
**MANTLE SET**

TRIPLE SCREEN-GRID  
TONE CONTROL  
MATCHED DYNAMIC  
SPEAKER



Housed in this gorgeous walnut Gothic Cabinet 16 1/2" high, 14 1/2" wide and 10 1/4" deep. Only

**\$26<sup>95</sup> | \$24<sup>50</sup>**

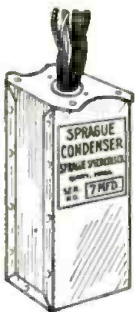


Chassis uses 3-224, 1-245 and 1-280 tubes and is equipped with matched dynamic speaker. For chassis and speaker. Tubes, \$2.50 extra.

*Dealers and Servicemen!*

Be prepared to meet the great demand for this popular radio set during the holiday season. Equals the performance of any console receiver and yet you can sell it for less than \$75.00 completely installed and still *double your investment*. Order your sample to-day and avoid the last-minute rush.

### REPLACEMENT Condenser Blocks



- Peerless Courier, as illustrated, ea. \$1.75  
A K 37 ..... 4.80  
Majestic B ..... 2.95  
Victor R32 ..... 3.25  
R C A 18, 33 and 51 ..... 1.50  
R C A 17 ..... 4.95  
R C A 41 ..... 4.25  
R C A 60, 62 ..... 5.95  
Zenith 11E ..... 3.25  
Brandes B15 ..... 2.95  
Kolster 6H ..... 2.95  
Kolster K21 ..... 2.50  
Kolster K43 ..... 3.25  
Kolster K22, 20, 42 ..... 3.25

### Voltage Dividers, Fixed Resistances and GRID Suppressors



Ward-Leonard, Aerovox, Ohmite and Hy-watt wire wound resistances from 33 to 250,000 Ohms for all standard sets at 20 to 50c each. Full description in our catalog.



Centralab, Frost, Yaxley, Clarostat, Bradley-ohm, Carter and Electrad Variable Volume Controls and Potentiometers

All sizes from 2 to 500,000 ohms carried in stock for replacements in all standard sets. Prices from 20 to 45c each. ALSO Wire Wound and Carbon pigtail resistances from 10 ohms to 5 megohms at \$1.50 per dozen.

FOR PRICES GET OUR CATALOG  
**MAIL YOUR ORDER TO**



We Carry a Complete Line of Microphones, Turntables, Pick-ups and Amplifiers for Public Address Systems and Theatres.

Universal Baby Mike. A real microphone, single button, with covers and 25 ft. of cable. List, \$7.50. Our Price, \$4.50.

**Carryola Synchronous Motor**  
Complete with turn-table. Silent, sturdy and compact, only 1 1/4" thick. No brushes. Only \$1.25.

### Bosch Power Amplifier

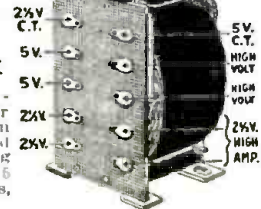


Push-pull 245  
Uses 1-227, 2-245 and 1-280 tubes. Cat. No. 7031  
First Stage 227. Second Stage 245 in push-pull, with phonograph pick-up and held supply for 2500 ohm D. C. dynamic speaker (with or without input transformer (specify which)). Also furnishes filament and plate voltage for 224, 227 tubes. Can be used to convert any battery set into an up-to-date A. C. receiver with 245 push-pull audio.

OUR NET PRICE, \$19.50

### Power Transformers For all Standard Sets Carried in Stock

VARIABLE LINE VOLTAGE — 105V. 115 120V.

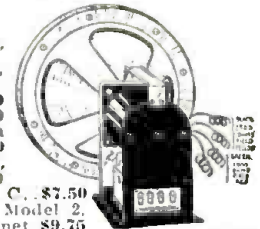


Model illustrated is for A. C. Dayton Navigator and other sets using 224, 227, 245 and 280 tubes, \$3.85.

- |                       |         |
|-----------------------|---------|
| Freshman Q            | \$ 6.75 |
| Freshman QD           | 7.85    |
| Philco sets           | 3.75    |
| Zenith 33, 35         | 3.25    |
| Radiola 44, 46        | 1.95    |
| RCA Double Choke      | .95     |
| AK40-42 Power Pack    | 11.50   |
| AK46 Power Pack       | 15.00   |
| Sonora B23            | 4.75    |
| RCA Audio             | .55     |
| Earl 21, 22           | 2.25    |
| Radiola 60, 62        | 5.95    |
| Kolster K20           | 2.25    |
| Stromberg-Carlson 642 | 3.95    |
| Step down 220 to 110V | 3.95    |
| Kolster 6H            | 7.50    |

### Dynamic Speakers

- |  |         |
|--|---------|
| Peerless Giant Auditorium, 12" Diaphragm, 110 V. A. C. | \$11.50 |
| D. C. with 1000 and 2500 ohm fields                    | \$10.00 |
| Peerless Courier, 7" D. C.                             | \$7.50  |
| Baldwin, 9", A. C.                                     | \$7.50  |
| Temple A. C. Model 2, in Walnut Cabinet                | \$9.75  |
| Peerless 17A, in cabinet                               | \$11.50 |



# Federated Purchaser

22-A Hudson Street

New York, N. Y.

TERMS:—20% with order, balance C.O.D. 2% discount allowed for full remittance with order only.



# WE WILL NOT BE UNDERSOLD!

NATIONALLY ADVERTISED GOODS — IN ORIGINAL CONTAINERS — FULLY GUARANTEED

## WE ARE HEADQUARTERS FOR REPLACEMENT PARTS FOR ALL STANDARD SETS

We can replace any A. C. Power Transformer, Condenser Block, Resistor, etc., WITH AN EXACT DUPLICATE! In our catalog, we list them all, at ROCK-BOTTOM PRICES! Mention set and model number, and we will ship you proper item, C. O. D. your wholesale cost.

### Thordarson Power Transf.

All types listed below furnish all plate and filament voltages for any A. C. set.

**MODEL 171 PUSH-PULL**  
For 4-226, 1 or 2-227, 1 or 2-171A, 1-280. **\$2.55**

**MODEL 245 PUSH-PULL**  
For 3 or 4-227 or 245, 2-227, 2-245, 1-280. **\$3.40**

**MODEL 250 PUSH-PULL**  
For 5 or 6-227 or 224, 2-250, 2-281. **\$5.55**

**2½ Volt Fil. Transf.**  
Two windings, both center tapped.  
Total Cap. 16 Amperes **\$3.75**

**Power Trans. for R.C.A.**

For Radiolas 17, 18, 33, 51; for 4-226, 1-227, 2-171A, 1-280 **\$4.95**

For Radiolas 44, 46, 47; for 3-224, 1 or 2-245, 1-280 (and 2-227) **\$4.85**

For Radiolas 60, 62, 66, 67; for 6 or 7-227 (or 224), 1 or 2-171A, 1-280 **\$4.65**

For Radiolas 64, 67, 68; for 8-227 (or 224), 2-250, 2-281 **\$14.75**

Hundreds of other models and types in stock!

### Dubilier-Majestic Cond. Blocks

For MAJESTIC "SUPER" and MASTER "B" Eliminators. **\$2.75**

For MAJESTIC "SPECIAL MASTER B" **\$3.85**

For MAJESTIC 171 SETS **\$5.45**

For MAJESTIC 245 SETS **\$5.45**

For MAJESTIC 250 SETS **\$5.45**

For Freed Eiseman Sets **\$1.95**

All of the above can be used with any similar set or power pack. Guaranteed ONE YEAR! We can supply a block FOR ANY MAKE ELIMINATOR, OR POWER PACK—SHIP US YOUR DEFECTIVE BLOCK, for proper replacement thereof.

### Tone Control

Modernizes any battery or AC set in two minutes. Emphasis can be placed on bass or treble notes, to suit your tastes. Installed outside of set.

**\$2.05**

(Panel Mount Type \$1.50)

### Atwater-Kent 37-38 Block

Contains three chokes (one being a speaker choke) and four surge-proof filter condenser sections. Steeped in special pitch. GUARANTEED ONE YEAR! Can be used in any power pack. **\$3.95**

**AK 40, 41, 42, 44, 46**  
Contains above unit plus the necessary A-C POWER TRANSFORMER. Housed in one metal box. Can be used with any set using 4-226, 2-227, 2-171A, 1-280. **\$9.00**

### Dry Electrolytic Condensers

Mount in any position. Self-healing. Will never blow-out. 500 volt peak voltage — use two in series for 1,000 volt rating duty. Very compact—most perfect filters made!

No. Anodes	Total Cap.	Price
1	1 mfd.	\$.28
1	2 mfd.	.45
1	4 mfd.	.85
1	8 mfd.	1.25
2	16 mfd.	2.13
3	24 mfd.	2.75
4	32 mfd.	3.38

### Peerless 16 inch 110 volt A.C. Dynamic Speaker

Note that a 280 tube is used instead of sometimes troublesome metallic disc reethers. Produces super auditorium volume, with unequal perfection of realism of reproduction. Contains push-pull output transformer. Can be used with any set. **\$19.75**

### Surge-Proof "Hang-Up" Filter Condenser Units

600 volt rating. Dipped in black pitch, with long flexible leads protruding. For repairing defective condenser block sections or ideal for new power packs.

5 mfd. **25c**

1 mfd. **30c**

2 mfd. **40c**

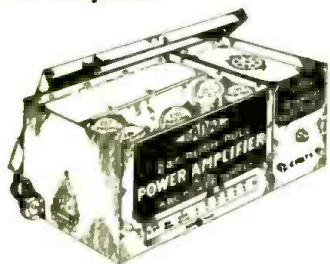
4 mfd. **60c**

100% Replacement Guarantee

## SEND FOR OUR FREE CATALOG

## Write for Our Offer of a Free "Official Radio Service Manual"

Convert Any Battery Set for A.C. Operation, Using Super-Powerful 245 or 250 Push-Pull Amplifier.



Simply connect detector plate lead of any battery set to input terminal. Keep using present 4 or 6 volt tubes in present tuner. No re-wiring of battery set—no changing of sockets or coils. Whole change-over takes a few minutes. Battery set audio amplifier stages, or tubes, not used. The Radax amplifier produces auditorium volume. Self contained ABC current supply in amplifier—also furnishes plate current (45, 67, 90, 135, 180) for tubes in tuner (as well as 2½ v. or 1½ and 2½ v. for A.C. tubes, if used). Amplifier requires 2-227, 2-245, 1-280 tubes. A separate 227 is used for phono pickup. Furnishes field current for dynamic speaker.

As illustrated, less tubes **\$27.85**

Same, but uses 2-250, 2-281, 2-227 **38.50**

**UNITS AVAILABLE SEPARATELY**

\*245 Amp. Unit, and A.C. "ABC" Power Supply **18.75**

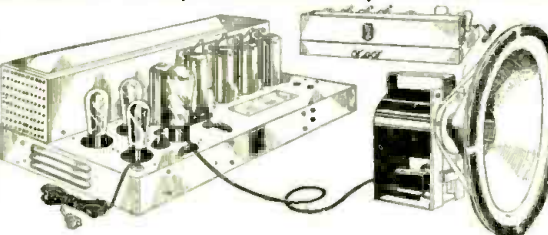
\*250 Amp. Unit, and A.C. "ABC" Power Supply **28.55**

4-6 Volt "A" Unit (2½ amps.) Bone-Dry. **11.95**

\*Choice of AC fil. supply for tuner—see above copy.

### R.C.A. Licensed 9 Tube, 3 Screen Grid, A.C. Receiver

Due to binding contract with manufacturer of this nationally advertised receiver, we cannot mention name—it would upset their regular market.



Uses THREE SCREEN GRID TUBES! LINEAL POWER DETECTION! PUSH PULL 245 AMPLIFIER! PHONOGRAPH ATTACHMENT! RECEPTACLE FOR SHORT-WAVE SUPERHETERODYNE ATTACHMENTS! TUBE VOLTAGE REGULATOR! TOTALLY SHIELDED! IMMENSE POWER PACK! TONE CONTROL! Requires 3-224, 2-227, 2-245, 1-280 and CLAROSTAT VOLTAGE REGULATOR. Operates with a 15 foot aerial—even picks up 2,000 miles on same.

Designed for any 110 volt D.C. dynamic speaker. (We can furnish the type illustrated for \$6.95 additional!) **FULLY GUARANTEED. \$29.50**

(We can furnish this receiver, semi-assembled, ready for wiring, for \$22.50.)

### Kolster K-6 Speaker

So realistic in reproduction it almost rivals a good dynamic, even though it is actually a magnetic speaker! Will operate PERFECTLY with any receiver, using 171-245 or even 250 tubes. Never blasts—nor distorts! 12½ inches high.

Very attractive cabinet. **\$4.90**

Reg. \$35.00

### Readrite 245-A Set and Tube Tester

Tests 224 and 245 tubes and sets. 3 double reading meters: 0-10-140 volts A.C. and D.C.; 0-60-300 plate and grid volts; 0-20-100 plate milliammeter. Housed in attractive metal case, holding all adapters, plugs, cables, 300,000 now in use!

**\$11.76**

4"x8½"x3¼"

### Loftin-White Direct Coupled Amplifier

Affords more than sufficient volume, sufficient for most dance halls, schools, small auditoriums, etc. The very finest of parts only are used—made by the most renowned and reliable mfgs. A splendid phonograph amplifier! Can be used with Loftin-White tuner or any other type tuner. Requires: one 224—one 245—one 280 tubes. 6½" deep, 8½" high, 9" long. Very easily connected. Self-contained ABC supply. Also furnishes all ABC voltages to any 2½ volt A.C. tuner. **\$16.50**

250 MODEL **\$27.45**

Uses 1-250, 1-281, 1-224

### Improved 3 Screen Grid Loftin-White Tuner

Uses 3-224, and 1-227 AC Tubes. Razor-edge selectivity — sensitivity sufficient to permit 2500 miles reception on a 15-foot antenna, and right "through locals." Each H. F. stage 1 of them! Carefully and separately shielded. Single dial control. Attractive metal box with cover. Requires external ABC current supply **\$24.95**

Battery model, 3-222, 1-201A **\$22.85**

### 171A-245-250 ABC Power Packs

Furnish 45-67-90-135-180 volts plate current besides maximum plate voltage and suitable AC filament voltage in each instance. For 4-226, 1-227, 2-171A, 1-280 **\$7.50**

For 4-227 or 224, 2-227, 2-245, 1-180 **\$10.75**

For 4-227 or 224, 2-227, 2-250, 2-281 **\$18.90**

### Radax "Round the World" Short Wave Receiver

Tunes 10 to 200 meters. Fully shielded. Uses 1-222 Screen Grid, and 2-201A tubes. Completely wired and assembled. Tremendous value at **\$16.55**

## Order From This Page

# AMALGAMATED PURCHASERS, INC. 142-R LIBERTY STREET NEW YORK CITY



**OUR NEW 1931 CATALOG—JUST OUT!**

**RADIO BARGAIN FLASHES  
FROM THE WORLD'S LARGEST RADIO STORE**

**New** A-C SCREEN GRID &  
D.C. BATTERY RECEIVERS  
**PHONO COMBINATIONS**  
**TUBES PARTS**  
**DYNAMIC SPEAKERS**  
**SUPER HETERODYNES**  
**AUTO-MANTEL AND ELECTRIC CLOCK SETS**

*Buy Now and Save*

Prices offered in this catalog are so remarkably low that it will pay you to buy now even for future needs.



**Modern UP-TO-THE-MINUTE Radio!  
at Lowest Wholesale Prices...**

All the very latest improvements in radio equipment. Large assortment of Screen Grid Sets, D C Battery Sets, Phono-Combinations, Dynamic Speakers, New Mantel Sets, Beautiful Consoles, Slot Machine Sets, Electric Clock Sets, Superheterodynes, New Accessories, Tubes—Parts.

**Radio prices have hit bottom—Get your share of the bargains**

**Never Before  
Such Values—**

**Send for Catalog—It's FREE**

You will find in this book just what you are looking for and all at prices that will greatly astonish you. Because we are the world's largest radio store, we are able to buy and sell in such large quantities that we can make marvelous savings.

**WE HANDLE EVERYTHING IN RADIO**

Our immense stock is complete with practically everything of the latest in radio. Quick deliveries and real cooperation are assured you on all of your orders.

**Fill Out Coupon and Mail Today**

**CHICAGO SALVAGE  
STOCK STORE**  
509 So. State St.  
**CHICAGO, ILL. Dept. 646**

**The Place to  
Save Money On  
RADIO**



*Buy Now  
Prices  
Are  
Down*

**DON'T DELAY**

Get your copy of this catalog containing new rock-bottom prices on latest sets, kits, parts and accessories.

**FREE CATALOG COUPON**  
Chicago Salvage Stock Store  
509 So. State St., Dept. 646  
Chicago, Illinois

Kindly send me, free of charge, your new radio catalog.

Name \_\_\_\_\_

Address \_\_\_\_\_



# EVERYTHING TO GAIN / AND NOTHING TO LOSE!



**N**OW you can enjoy the full measure of profits and prestige conceded to Supreme Testing Instruments—"Supreme by Comparison." The Supreme Self-Satisfying, Self-Payment Plan

makes Supreme Service possible on a strictly "make-good" basis. Includes a merchandising plan that will create business for the service man and the dealer. Write for the unprecedented proposition entitled, "Everything to Gain and Nothing to Lose."



## SUPREME Set Analyzer MODEL 90

"Supreme by Comparison"

List Price - - \$112.15  
 Dealer's Net Price  
 F.O.B. Greenwood, Miss. \$78.50

A Set Analyzer that offers maximum simplicity and speed with a vastly greater number of tests and readings than can be made on any other set tester. Its range and flexibility will prove astounding.

**Y**OU owe it to yourself to learn the advantages of this marvelous instrument before buying any set Tester.



List Price - - - \$199.29  
 Dealer's Net Price  
 F.O.B. Greenwood, Miss. \$139.50

**H**AS long been recognized as the most complete testing unit in the radio field. A most complete radio laboratory in compact, convenient, portable form. Thousands of unsolicited testimonials from technicians and practical service men attest to the enviable esteem in which it is held.

Provides Oscillation test of tubes under radio frequency dynamic operating conditions.

Tests all types of tubes, including screen-grid, overhead heater types and the new 2-volt tubes. Tests both plates of 80 type full-wave rectifier tubes.

All Tubes tested independent of radio. Oscillator furnishes modulated signal for testing, synchronizing, neutralizing, etc.

Provides means for aligning of condensers by thermo-coupler meter.

Neutralizing of tubes actually used in set—only accurate method.

Tests gain of audio amplifiers. Locates unbalanced power transformer secondaries.

Reads either positive or negative cathode bias. Provides D-C continuity tests without batteries.

Indicates resistances without use of batteries in four ranges, .1 to 25 ohms, 10 to 200 ohms, 150 to 30,000 ohms (calibration curve furnished) 5,000 ohms to 5 megohms.

High-resistance continuity for checking voltage dividers, insulation leakages, bypass and filter condenser leakages, bias resistors, grid leaks, etc.

Low resistance continuity for checking rosin joints, shorted variable condensers (without disconnecting R. F. Coil), Center tapped filament resistors, etc.

External connections to all apparatus. Screen-grid and pentode socket analysis.

Measures capacity of condensers from .1 mf. to 9 mf.

Tests trickle charger by meter. Bridges open staves of audio for testing.

Used in connection with Supreme Test Panel makes most complete laboratory equipment available, but still instantly available for portable use.

Special oscillator coil available as accessory calibrated to 175 and 180 kilocycles for peak-to-peak intermediate stages of Superheterodyne sets.

## A CHART TELLS THE STORY



Supreme Tube Checker Model 19

Counter Type	\$38.50	Portable Type	\$42.79
List Price	- - -	List Price	- - -
Dealer's Net Price		Dealer's Net Price	
F.O.B. Greenwood, Miss.	\$26.95	F.O.B. Greenwood, Miss.	\$29.95

**L**ET us send you a chart showing a test that proves conclusively that Model 19 is the most reliable commercial tube-testing instrument ever designed—your own comparison will prove convincing. Superior in design, speed and efficiency.

Tests all tubes, including pentode, screen grid and the new 2-volt tubes without the aid of adapters—so simple anyone can operate it.

**S U P R E M E INSTRUMENTS CORP.**  
 389 Supreme Bldg.  
 GREENWOOD, MISS.

Distributors in all Principal Cities

Service Depots in New York, Philadelphia, Pittsburgh, Chicago, Kansas City, Seattle, Toronto, San Francisco

Export Division: 130 W. 42nd St. N. Y. City  
 Cable Address: LOPREH, New York

**SUPREME**  
 Testing Instruments  
 "SUPREME BY COMPARISON"